

**eaz**  
**lift**  
Since 1952



**GOOD 2 GO™**

# GOOSENECK ADAPTER



**CAMCO**

## PRINTING INFORMATION

(Do not Print) 印刷资料 (不打印)

Item name: **Gooseneck adapter Manual**

Drawing#: **1004427**

Colors: **3 spot colors (Pantone 485C Red, Black, pantone 7502C)**

Coating: **aqueous**

Size: **8.5" by 11" with Folds - Saddle stitched**

Stock: **80 lb text - Glossy**

UPC: **no**

Notes: **CD70017**

Rev #: **5**

Date Released: **112**

No intentional introduction of Lead (Pb), Cadmium (Cd), Hexavalent Chrome and Mercury (Hg) allowed in manufacture of this packaging material. The sum of the concentration levels incidentally introduced not to exceed 100 PPM by weight.

# BEFORE YOU START

## Dealer / Installer

Provide a copy of these instructions to the end user of this product. These instructions provide important operating and safety information for proper usage of this product. Demonstrate the proper use of the product with the end user. Have the end user demonstrate that they understand the proper use of the product.

## End User

Read and follow all instructions included in the manual. Ask your Dealer / Installer for assistance if you do not understand the proper use of the product. Never remove any decals from the product.

## WARNING

Failure to follow all of these instructions may result in death or serious injury.

## NOTICE

Read and follow all instructions included in the manual. Ask your Dealer / Installer for assistance if you do not understand the proper use of the product. Never remove any decals from the product.

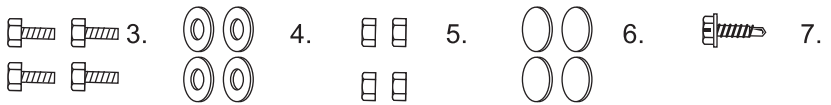
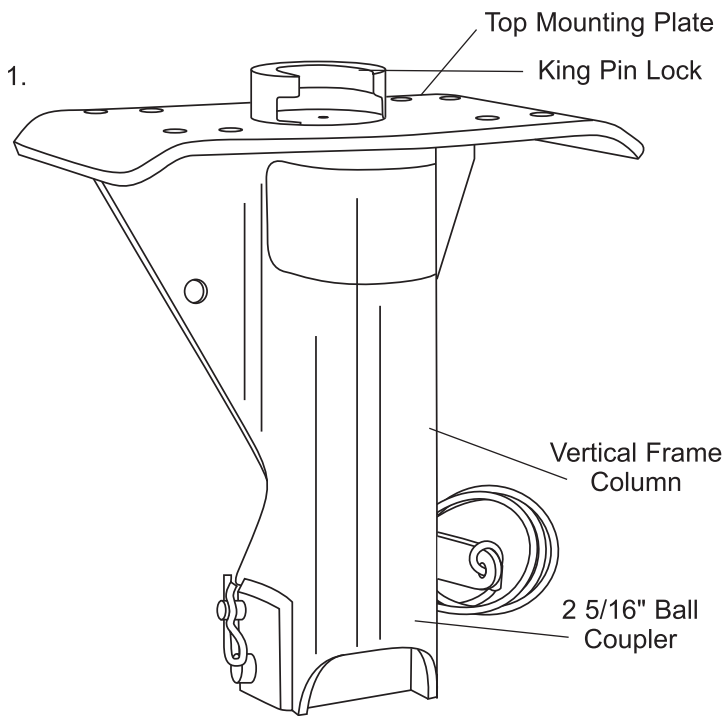


# TABLE OF CONTENTS

GOOD 2 GO Adapter .....	3
Parts List .....	3
Guidelines for Matching Truck to Trailer .....	3
Installation .....	5
Installing the GOOD 2 GO Adapter .....	5
Operation .....	7
Loading Instructions .....	7
Unloading Instructions .....	7
Accessories .....	9
Warranty .....	10



**GOOD 2 GO™ GOOSENECK ADAPTER**  
the fifth wheel hitch converter that gives you your bed back.



3 GOOD 2 GO Adapter

# GOOD 2 GO ADAPTER

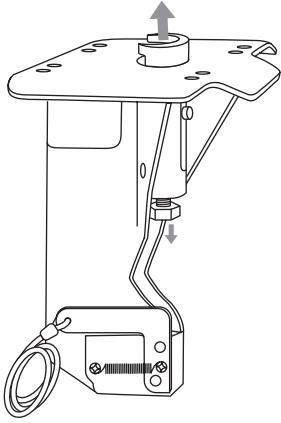
## Parts List:

1. GOOD 2 GO Adapter (1)  
(either the 48500, 48501 or 48490)
2. Wrench (1)
3. 1/2" Grade 8 Bolt (4)
4. 1/2" Flat Washer (4)
5. 1/2" Lock Nut (4)
6. Plastic Plugs (4)
7. #10 Self Tapping Screw (1)

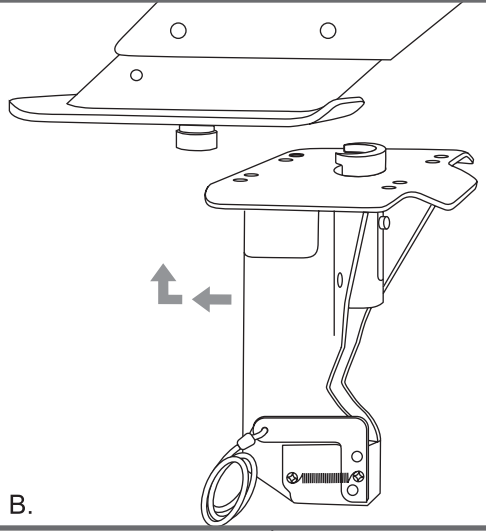
## Guidelines for Matching Truck to Trailer:

1. Trailer and all of its contents together must not exceed the truck, hitch and/or trailer tow rating.
2. Towing vehicle must have a manufacturer's rated towing capacity equal to or greater than the gross trailer weight.  
Gross Trailer Weight = Trailer + Cargo + Water in tanks.
3. Gross Trailer Weight must not exceed 30,000 lb (7,500 lb vertical load)
4. Long bed trucks are recommended for towing fifth wheel trailers because they allow a greater turning radius. The addition of an extended king pin box may allow for a shorter turning radius.
5. The height of the hitch and king pin box must be adjusted so that the trailer tows close to level, allowing approximately 6" of clearance between the top of the truck bed and the overhang of the trailer.

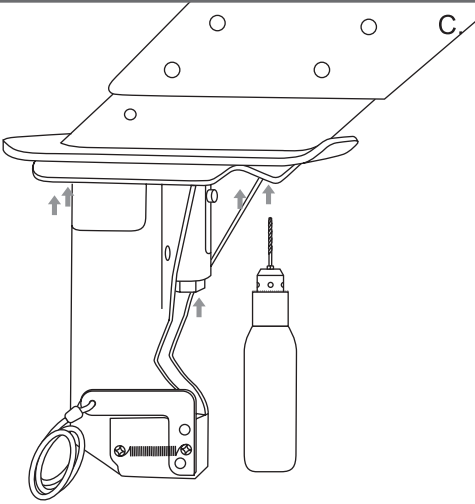
**Get carried away with the convenience of having both a fifth wheel hauler and a truck again.**



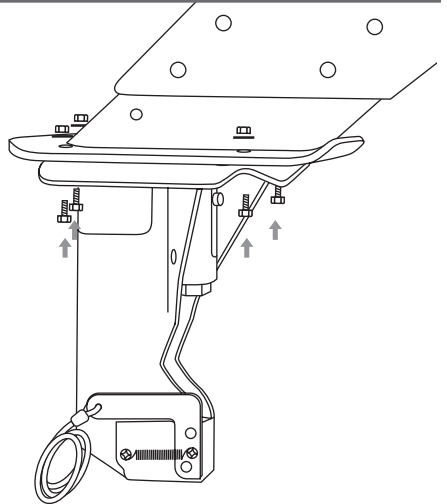
A.



B.



C.



D.

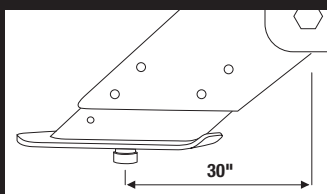


# INSTALLATION

## Installing the GOOD 2 GO Gooseneck Adapter:

Read instructions thoroughly before starting. 7,500 lb vertical load rated.

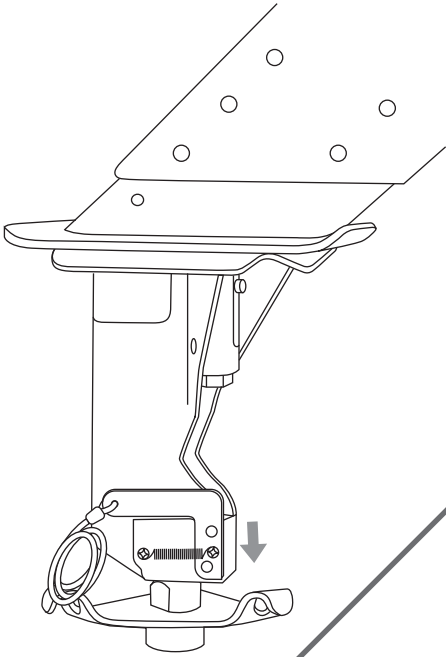
1. Locate 1" king pin lock draw bolt on rear of unit and remove. (Fig. A)
2. Pull upward on the king pin lock until the king pin lock has emerged fully out of the top mounting plate. (Fig. A) Please note that the spring over screw will cause the lock to shift under some tension.
3. Slide king pin lock over the trailer king pin. Lift upward on the body of the adapter unit until the king pin of the trailer is brought into the body of the adapter and the top mounting plate is tight up against the trailer king pin plate. Sticker will face forward. (Fig. B)
4. Thread 1" bolt into the king pin lock. (Fig. C)
5. Torque 1" bolt to 200 ft-lb. **WARNING - FAILURE TO TIGHTEN BOLT TO 200 FT-LB MAY RESULT IN DAMAGE TO TRAILER KING PIN OR ADAPTER UNIT.**
6. Locate 9/16" holes on underside of top mounting plate. Drill four holes using a 9/16" drill bit. (Fig. C)
7. Install one each 1/2" grade 8 bolt from bottom side of top mounting plate through to the inside of king pin box. Secure with flat washer and lock nut on inside of king pin box. (Fig. D)  
**NOTE: In the event access into the king pin box is not possible due to construction, drill a 1-1/2" hole into side of the king pin box using caution not to cut holes into areas where interior gussets are welded. Once bolts are secure plug holes with supplied plastic plugs.**
8. Torque nuts to 65 ft-lb. **WARNING - FAILURE TO TIGHTEN NUTS TO 65 FT-LB MAY RESULT IN DAMAGE TO KING PIN BOX AND/OR ADAPTER UNIT.**
9. Install handle cable to lower deck of trailer so that it can be reached from the rear of the tow vehicle. This is a remote release for coupler when optional safety pin is not installed. **NOTE: Make sure gooseneck ball is greased before inserting into coupler.**



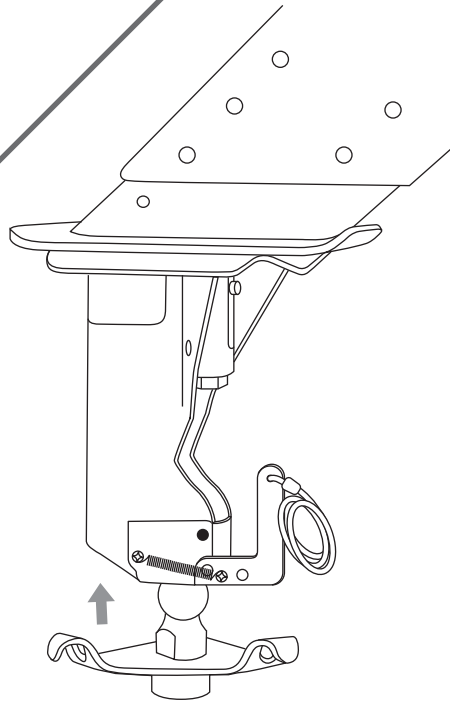
### ⚠ WARNING ⚠

**DO NOT INSTALL ON KING PIN BOXES 30" OR LONGER! (Measure from center of king pin to center of mounting bolts.)** NOTE: Use only hardware supplied with Gooseneck Adapter. Use of any other hardware may cause adapter to fail.

A.



B.



7 Operation



# OPERATION

## Loading Instructions:

### **Handle position for coupling and towing only.**

Simply remove safety pin and clip, lower trailer onto ball. Coupler will unlatch and relatch automatically. Install safety pin and clip. (Fig. A)

NOTE: before each loading procedure, grease gooseneck ball.

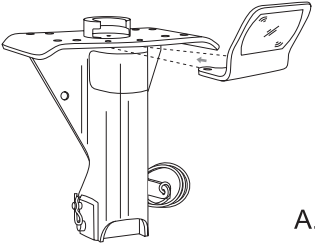
## Unloading Instructions:

### **Handle position for uncoupling only.**

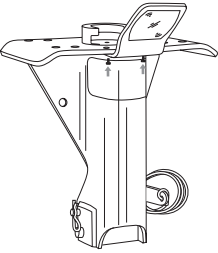
Simply remove safety pin and clip. Rotate handle to this position and raise trailer off ball. Coupler will return to load position automatically. Install safety pin and clip. (Fig. B)

**Our goal is to offer our clients the best product, the best value, the highest quality and the finest design in everything we manufacture!**

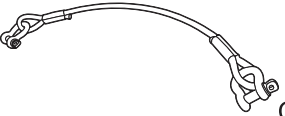
# ACCESSORIES



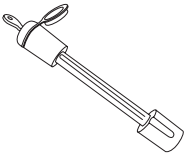
A.



B.



C.



D.

## 48505 Mirror Bracket–Installation:

1. After installing GOOD 2 GO Gooseneck Adapter onto the trailer king pin box, locate 3/8" mounting holes on leading edge of top mounting plate on adapter. (Fig. A)
2. Place bracket on underside of top mounting plate and screw in 3/8" cap screws until finger tight. (Fig. B)
3. Torque screws to 30 ft-lb each.

## 48506 Safety Cable

Safety cable provides added safety and also may be a state requirement when towing a gooseneck trailer. (Fig. C)

## 48509 Keyed Locking Pin

Keyed locking pin for the 48490, 48500 and 48501 Gooseneck Adapter. (Fig. D)



# WARRANTY

## Limited Lifetime Warranty

This Warranty applies solely to the following items manufactured by Camco Manufacturing, Inc. ("Camco") (Receivers, Gooseneck Products, Ball Mounts, Hitches, Hitch Balls (the "Product"))).

- 1. Warranty and Warranty Period.** Camco warrants to the original purchaser or consumer (the "Purchaser") of the Product will be free of defects in manufacture and workmanship for a period of 36 months from the date of consumer purchase or Camco will replace the Product free of charge (the "Warranty"). This Warranty is non-transferrable and applies only to the original vehicle on which the Product was installed.
- 2. Limitations on the Warranty.** This Warranty does not cover the following: (a) normal wear and tear; (b) service or labor charges which are incurred in removing or replacing any Product; (c) the finish placed on the Product; (d) Product damage or failure which occurs as a result of abuse, neglect or misuse in any manner; and (e) damage which occurs to a Product that is misapplied, overloaded, improperly installed, or altered in any manner by anyone other than Camco.
- 3. Obligation of Purchaser.** To obtain the benefits of this Warranty, the Purchaser must complete the following steps: (a) promptly present the defective Product together with the proof of purchase to any of Camco dealer, distributor, or return it to the factory located at 121 Landmark Drive, Greensboro, NC 27409 and (b) pay all handling, transportation, and shipping charges incurred for the return of the defective Product. Any defective Product returned to Camco shall become the property of Camco.
- 4. Obligations of Camco.** Subject to the terms and limitations set forth in this Warranty, Camco's sole obligation will be to replace for the original Purchaser free of charge any Product that is found to be defective.
- 5. Legal Rights.** THIS WARRANTY GIVES YOU SPECIFIC LEGAL RIGHTS AND YOU MAY ALSO HAVE OTHER RIGHTS WHICH VARY FROM STATE TO STATE. ANY IMPLIED WARRANTY OF MERCHANTABILITY OR FITNESS FOR A PARTICULAR PURPOSE ON ANY CAMCO PRODUCT SHALL BE LIMITED TO ONE (1) YEAR FROM THE DATE OF RETAIL PURCHASE BY THE ORIGINAL PURCHASER. SOME STATES DO NOT ALLOW LIMITATIONS ON HOW LONG AN IMPLIED WARRANTY LASTS, SO THE ABOVE LIMITATIONS MAY NOT APPLY TO YOU.

CAMCO SHALL NOT BE LIABLE OR ASSUME RESPONSIBILITY FOR BODILY INJURY THAT MAY BE INFLICTED ON THE PURCHASER, OPERATOR, SPECTATOR OR GENERAL PUBLIC WHO IS IN THE GENERAL AREA WHILE THIS EQUIPMENT IS IN USE, FOR THE LOSS OF THE USE OF ANY VEHICLE, LOSS OF TIME, RENTAL OF VEHICLES, LOSS OR DAMAGE TO PERSONAL PROPERTY, EXPENSES SUCH AS GASOLINE, TELEPHONE, LODGING, OR TOWING, OR ANY OTHER INCIDENTAL OR CONSEQUENTIAL DAMAGES INCURRED AS A RESULT OF THE USE OR OWNERSHIP OF ANY PRODUCT. SOME STATES DO NOT ALLOW THE EXCLUSION OF A LIMITATION OF INCIDENTAL OR CONSEQUENTIAL DAMAGES, SO THE EXCLUSION OR LIMITATION SET FORTH MAY NOT APPLY TO YOU. REPLACEMENT OF THE PRODUCT IN THE MANNER PROVIDED ABOVE SHALL CONSTITUTE FULFILLMENT OF ALL LIABILITIES OF CAMCO TO THE PURCHASER WHETHER BASED ON CONTRACT OR OTHERWISE.

CAMCO RESERVES THE RIGHT TO MAKE CHANGES IN DESIGN OR TO MAKE ADDITIONS OR IMPROVEMENTS WITHOUT BEING OBLIGATED TO INSTALL THE SAME UPON PRODUCTS COVERED BY THIS WARRANTY. THIS WARRANTY IS VALID ONLY IN THE UNITED STATES AND CANADA.



# **eaz** **lift**®

**S i n c e 1 9 5 2**



Call toll free or visit us online  
for the dealer nearest you.  
1-800-334-2004 [www.camco.net](http://www.camco.net)