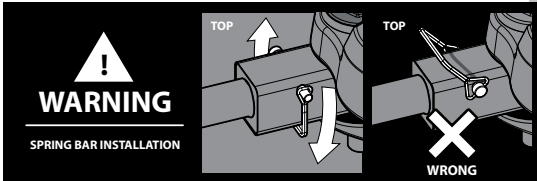
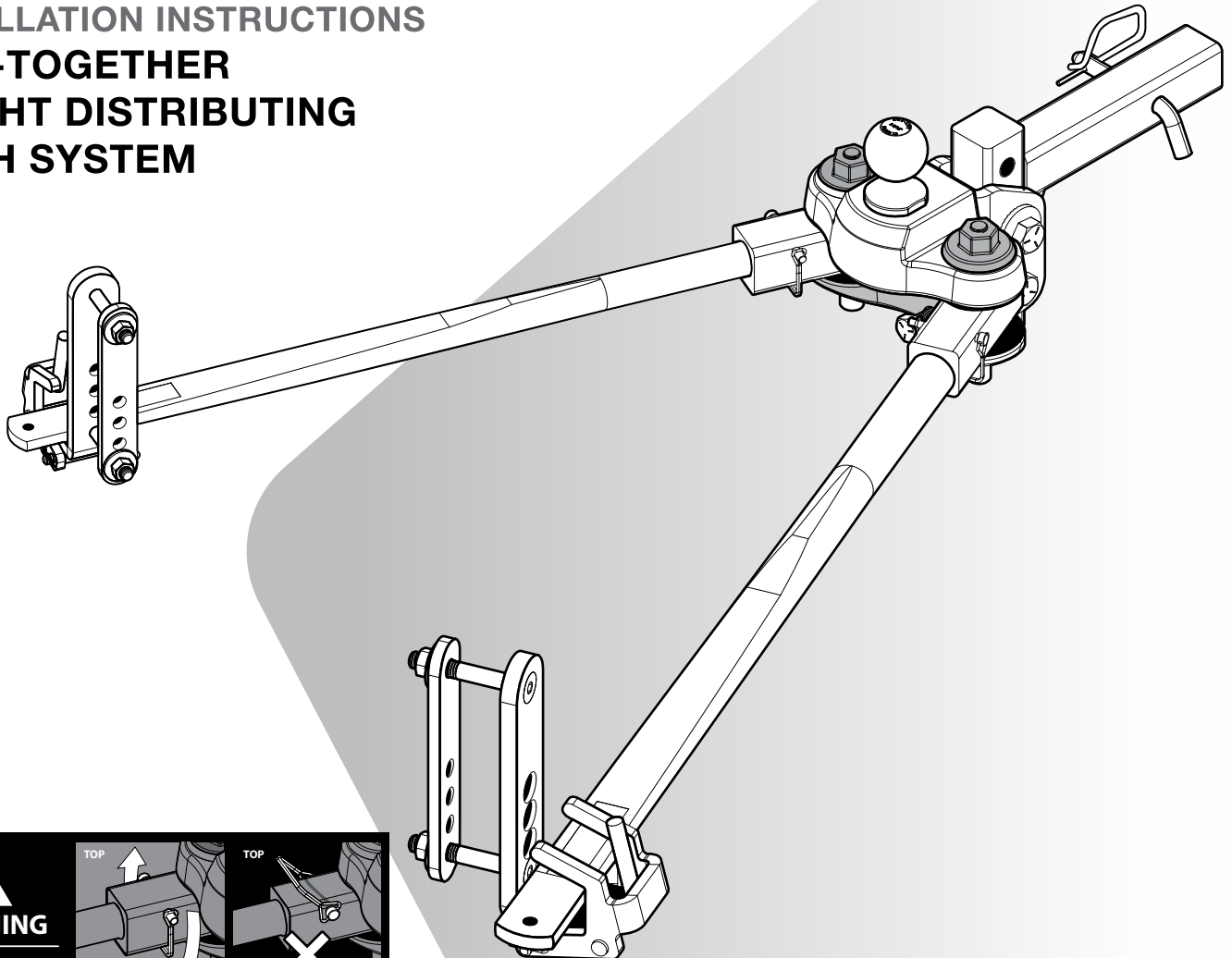


**INSTALLATION INSTRUCTIONS
BOLT-TOGETHER
WEIGHT DISTRIBUTING
HITCH SYSTEM**



Rating when used as a weight distributing hitch with spring bars:

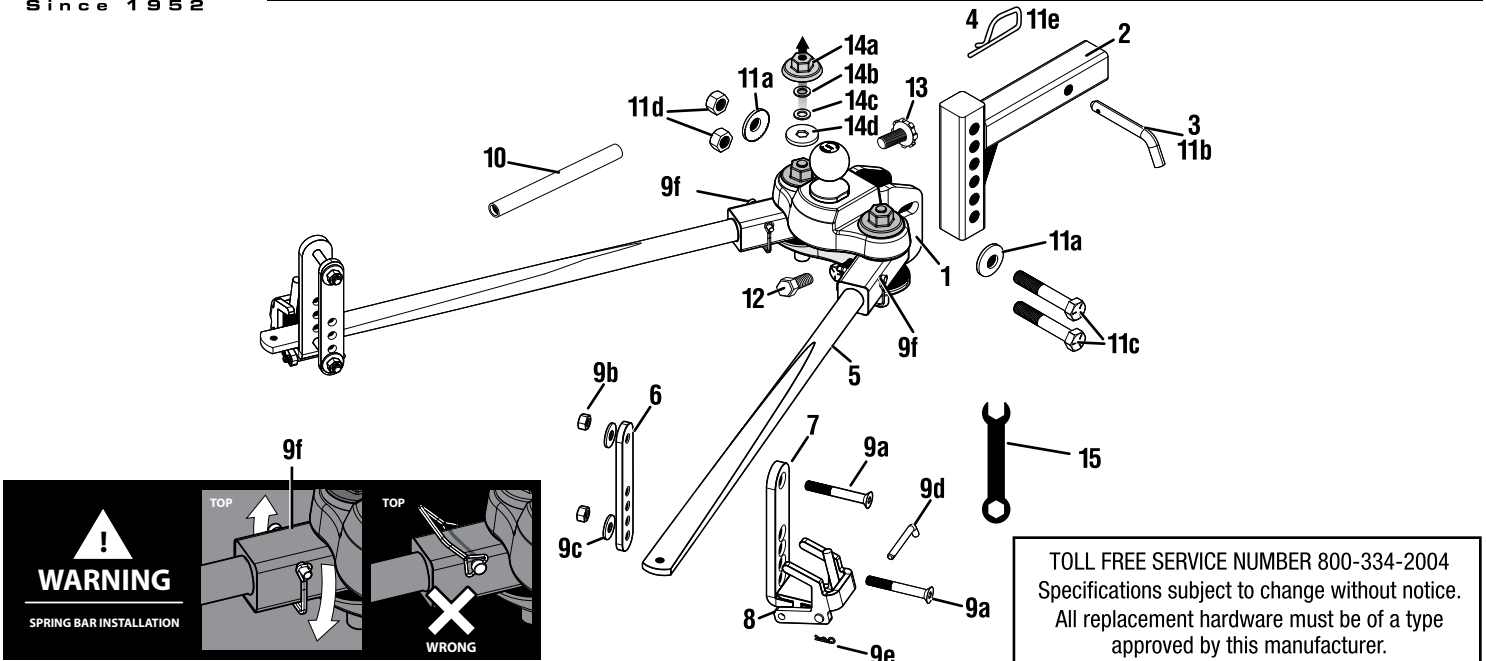
Part Number	Max Tongue Weight	Max Gross Trailer Weight
48701 600 lb Trekker Hitch	800 lb	8,000 lb
48703 1,000 lb Trekker Hitch	1,200 lb	12,000 lb
48704 1,200 lb Trekker Hitch	1,400 lb	14,000 lb

CAUTION: The tongue weight rating of the spring bars represents the capacity of a pair of bars, not an individual bar. Always use a pair of spring bars and be sure they are of the same weight rating.

Dealer / Installer: Be sure customer receives installation instructions after hitch has been installed.

Do NOT exceed the towing vehicle manufacturer's load rating.
READ ALL INSTRUCTIONS AND CHECK PACKAGE CONTENTS BEFORE BEGINNING INSTALLATION

INSTALLATION INSTRUCTIONS PARTS LIST



NO.	DESCRIPTION	PART NO.
1.	BALL MOUNT with ball for Trekker 600-1,000-1,200	48726
2a.	ADJUSTABLE 2" SQUARE SHANK HI-LOW	
	10" length 5/8" Drop 7" Rise (Included)	48120
	12" length 5/8" Drop 7" Rise	48121
	14" length 5/8" Drop 7" Rise	48122
	16" length 5/8" Drop 7" Rise	48123
2b.	ADJUSTABLE SHANK EXTRA HI-LOW 2" square (3-1/4" ADDITIONAL DROP & RISE)	
	10" length 3-7/8" Drop 10-1/4" Rise	48130
	12" length 3-7/8" Drop 10-1/4" Rise	48131
	14" length 3-7/8" Drop 10-1/4" Rise	48133
2c.	ADJUSTABLE SHANK EXTRA LOW 2" SQUARE (7" ADDITIONAL DROP)	
	10" length 7-5/8" Drop	48132
3.	HITCH PIN	48021
4.	SPRING CLIP	48028
5.	SPRING BAR, TREKKER - (Set of 2)	
	600 lb rating	48710
	1,000 lb rating	48712
	1,200 lb rating	48713
6.	HOOK UP STRAP, TREKKER	48723
7.	HOOK UP HANGER, TREKKER (Included)	48725
	HOOK UP HANGER, for use with bottom mount coupler	48727

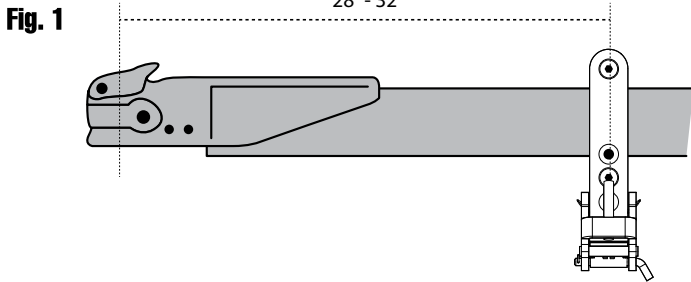
NO.	DESCRIPTION	PART NO.
8.	WEAR PAD - (Set of 2)	48724
9.	BOLT PACKAGE - HOOK UP, TREKKER	48722
	a. (4) each flat head screw, 1/2-13 X 3-3/4"	
	b. (4) each locking nut, 1/2"-13	
	c. (4) each washer, 1/2"	
	d. (2) each clevis pin	
	e. (2) each cotter pin, 9.5mm	
	f. (2) each retainer pin, spring bar Trekker	
10.	LEVER BAR	48031
11.	BOLT PACKAGE (for 600-1,000-1,200 Ball Mount)	48101
	a. (2) each 3/4" conical washer	
	b. (1) each hitch pin	
	c. (2) each bolt 3/4"- 10 x 4-1/2"	
	d. (2) each nuts 3/4"-10	
	e. (1) each spring clip	
12.	SET SCREW (for 600-1,000-1,200 Trekker)	48721
13.	Thumbscrew	48037
14.	ACTIVATION CAP REPLACEMENT KIT, TREKKER	48720
	a. (1) Cap	
	b. (1) Lock Washer	
	c. (1) Washer	
	d. (1) Compression Plate	
15.	WRENCH	48042

INSTALLATION INSTRUCTIONS HOOK-UP BRACKETS

WARNING: By towing a trailer you change the handling characteristics of the tow vehicle. Conditions you may encounter can cause sudden trailer sway. When used properly, the Eaz-Lift Trekker Weight Distributing Hitch with Adaptive Sway Technology dampens and reduces trailer sway and by distributing trailer tongue weight reduces unsafe towing vehicle handling. **IMPORTANT:** Short wheel base vehicles may induce sway when towing a trailer. USE EXTREME CAUTION.

To determine whether or not a particular tow vehicle and trailer combination is suitable, you should always refer to the driver's manual or user's manual provided by the vehicle and trailer manufacturers and seek the recommendations and advice of the trailer dealer. The United States Department of Transportation, the American Automobile Association, and various recreational vehicle associations and RV magazines also offer good advice on trailer towing practices.

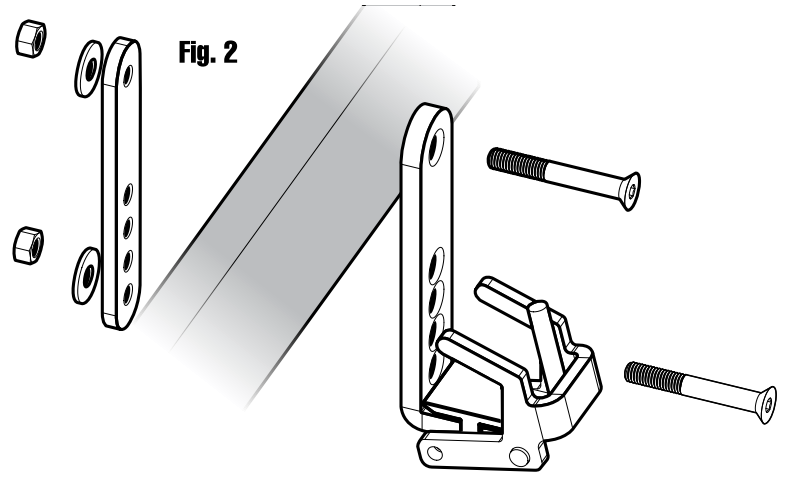
- Position the Hook Up Bracket centerline 32" from the center of the coupler ball socket. (Fig. 1) The Hook Up Bracket can be adjusted from 28"-32" along the trailer frame to avoid any tongue mounted items such as propane tanks or battery boxes. Note that optimal performance of the Trekker hitch is achieved when Hook Up Bracket is located 32" from the center of the coupler ball socket.



nuts in an alternating pattern to ensure Hook Up Hanger and Hook Up Strap are squarely clamped on the trailer frame. For bottom mount coupler use #48727 Hook Up Hanger.

The height of the Hook Up Hanger is predetermined to ensure spring bars are level. Additional preload of the spring bar should be achieved by adjusting the tilt of the ballmount using thumbscrew.

- Once the correct location is determined. Place Hook Up Hanger on trailer frame at the predetermined location and insert the supplied 1/2" flat head screws into the corresponding holes of the Hook Up Hanger determined by the height of the trailer frame. (Fig. 2) Place the Hook Up Strap on the opposing side of the trailer frame and align the corresponding holes with the 1/2" flat head screws. Install the supplied 1/2" washers and 1/2" nuts and tighten to secure the Hook Up Hanger to the trailer frame. Tighten the



INSTALLATION INSTRUCTIONS BALL MOUNT

- The height of the ball must be determined before any assembly work can begin. The Trekker hitch comes supplied with a pre-installed 2-5/16" hitch ball. To measure ball height, measure trailer from ground level to top of ball coupler. Be sure trailer is parallel to ground.

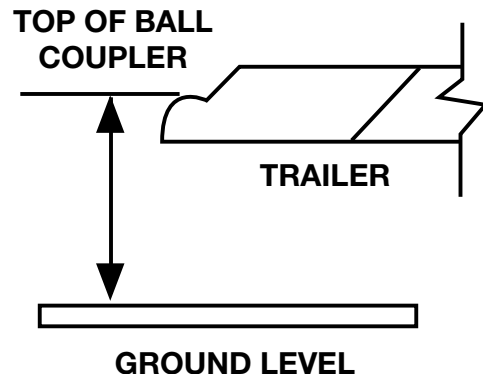
For all tow vehicles add approximately 1/8" for each 100 lb tongue weight. This will compensate for vehicle "squat."

EXAMPLE: If measured top of coupler height is 17" and trailer tongue weight (weight coupler would impose on ball) is 600 lb ($6 \times 1/8" = 3/4"$). Therefore, $17" + 3/4" = 17-3/4"$ hitch setting height (to top of ball; assembled.)

- After ball height has been determined: write down the ascertained height. Slide shank into sleeve receiver; insert hitch pin (3) and spring clip (4). With ball attached to ball mount, slide ball mount up or down shank (shank may be used in the up or down position) until nearest dimension is obtained and holes line up with shank. Insert bolt (11c) through bottom hole of ball mount and corresponding hole in shank - secure with nut (11d). **Do not tighten** (Rest ball mount against shank).

- Thumbscrew (13) is supplied in order to gain correct downward angle of spring bars. The thumbscrew is threaded into the 5/8" tapped hole in the "U" on ball mount. Begin with a 3/4" gap between the "U" on the ball mount and the shank

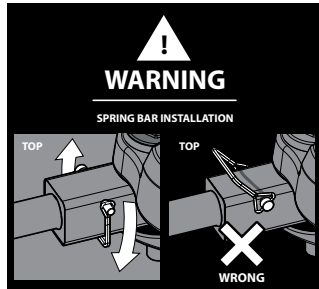
as a starting point to determine spring bar angle. The spring bar angle will determine the weight distributing load transferred to the ball mount. Depending on slope of bars that must be achieved, thread thumbscrew to the position necessary to establish correct angle for proper distribution of the tongue weight. (See Fig. 2 and 3 page 4.)



4 Once the desired spring bar angle has been achieved, insert top bolt (11c) with serrated washer (11a). Install second serrated washer and nut (11d) to secure unit in correct position. Before tightening bolts, lock set screw (12). Tighten the 3/4" top bolt to 260 ft lb torque once ball mount angle is determined. Tighten lower bolt to 260 ft lbs torque. After first day of towing, check set screw for tightness.

5 Measure towing vehicle before adding load to towing vehicle. Measure distance between back bumper and ground, write it down. Measure distance between front bumper and ground, write it down. Connect trailer to tow vehicle and lock the trailer coupler onto the ball. To make hooking up easier and safer-raise front of trailer and rear of towing vehicle above level using the trailer tongue jack. This removes some of the preload by reducing the distance between Spring Bar and Hook Up Hanger.

6 The Spring Bars can be inserted into either side of Ball Mount (there is no 'right' or 'left' bar). To lock, insert Spring Bar into trunnion and slide the D-Clip pin through the trunnion and groove of Spring Bar.



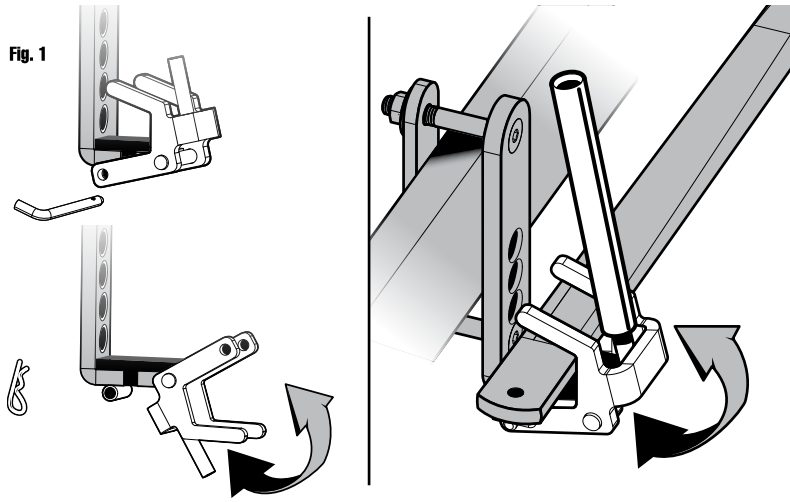
POSITION D-CLIP BAIL UNDERNEATH THE TRUNNION ORIENTATION OF THE D-CLIP BAIL ABOVE THE TRUNNION COULD RESULT IN DAMAGE TO TREKKER BALLMOUNT ASSEMBLY.

7 Prior to loading spring bars make sure step 5 is completed. Loosen the Sway Control Activation (14a) Caps by turning them 3-5 turns counterclockwise to deactivate the sway control function for easier hook up.

8 Remove the Cotter Pin (9e) and the Clevis Pin (9d) from the Hook Up Hanger. Rotate Spring Bar Retainer outward. Place Spring Bar in cradle of the Spring Bar Retainer. Rotate the Spring Bar Retainer inward using Lift Pin and Lever Bar (10) to place the Spring Bar on the Hook Up Hanger. Secure the Spring Bar Retainer with the Clevis Pin (9d) and insert the Cotter Pin (9e). Repeat for other side of the trailer. (See Fig. 1)

9 Release Trailer Tongue Jack. Remeasure front and rear of towing vehicle. The front and rear of the towing vehicle should have settled the same distance, or up to 1" lower in the rear. Adjusting the ball mount angle will add or remove preload to achieve the desired level setup. The trailer tongue weight is now distributed on both axles of the towing vehicle.

10 To release preload on spring bars, raise front of trailer and rear of towing vehicle above level with trailer tongue jack. Loosen Activation Caps (14a) 3-5 turns. Remove Cotter Pin (9e) and Clevis Pin (9d). Place Lever Bar (10) over Lift Pin. Carefully rotate Spring Bar Retainer outward.



PROPER METHOD OF HOOKING UP WEIGHT DISTRIBUTING HITCH WITH AIR SHOCKS OR AIR BAGS

- A. Air shocks or air bags should only be used to support the added weight you load in the rear of tow vehicle.
- B. After you have adjusted the shocks, measure distance between rear bumper and ground, write it down.
- C. Measure distance between front bumper and ground, write it down.
- D. Hook up trailer to towing vehicle.
- E. Raise front of trailer and rear of towing vehicle above level with trailer tongue jack (approx. 3").
- F. Secure spring bars to Hook Up Hanger.
- G. Release trailer tongue jack.
- H. Remeasure front and back of towing vehicle and have both settle the same amount or up to 1" lower in back by adjusting ball mount angle.
- I. CAUTION: Do not adjust air shocks or air bags to support any of the tongue weight of trailer.
- J. You have now distributed the trailer tongue weight on both axles of the towing vehicle.

BEFORE HOOKING UP

Spring bars should slope on the angle determined by the thumbscrew. See Step 3.

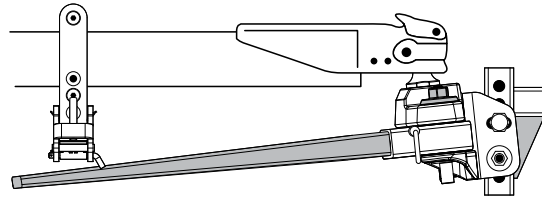


Fig. 2

AFTER HOOKING UP

Spring bar should be parallel with trailer frame.

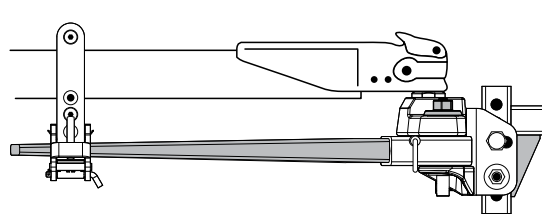
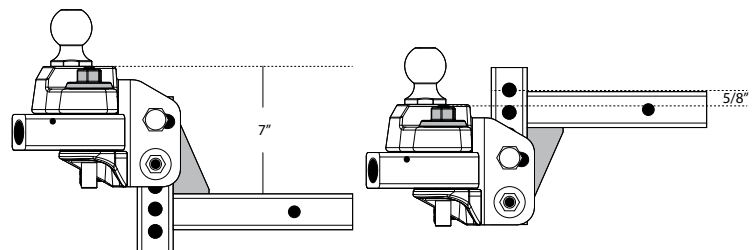
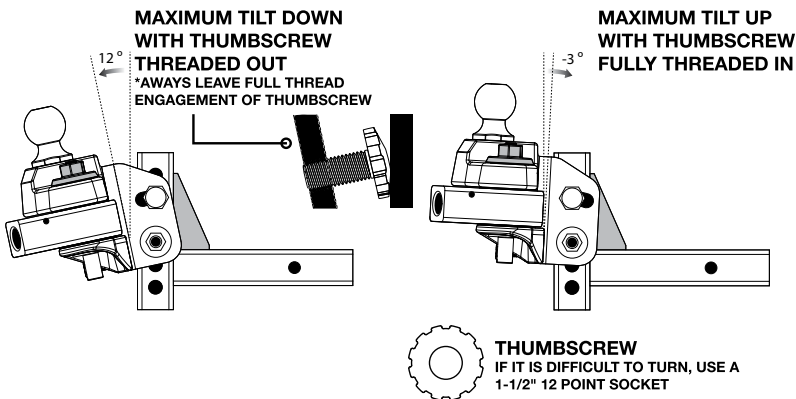
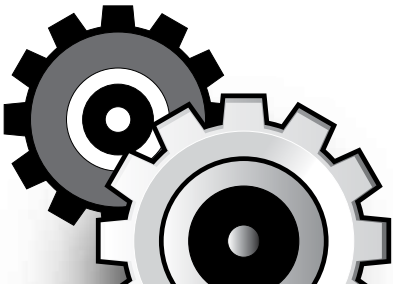


Fig. 3



BOLT-TOGETHER BALL MOUNT HAS 7-5/8" ADJUSTMENT, EACH ADJUSTMENT 1-1/4" EXTRA HI-LOW SHANKS AVAILABLE IF NEEDED



INSTALLATION INSTRUCTIONS

HOW-TO-USE

Engaging the adaptive sway system

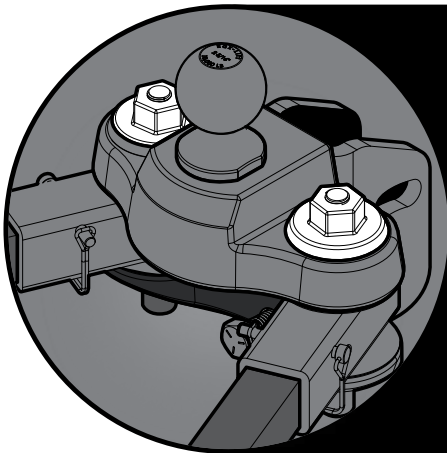
After the Spring Bars are secured on the Hook Up Hanger, tighten the Activation Caps (14a) to 45 ft-lb using supplied 1-1/4" wrench (15) to engage the system. If the connection to the trailer and the tow vehicle is not in a straight line it is recommended that the trailer be pulled forward a few feet to align the tow vehicle and trailer before tightening the Activation Caps (14a).

Disengaging the adaptive sway system for travel in adverse conditions.

Remove the Activation Caps (14a). Remove the lock washer (14b), flat washer (14c), and compression plate (14d). Reinstall the flat washer (14c), lock washer (14b), and Activation Cap (14a). Tighten the Activation Cap to 45 ft-lb. Store the compression plate (14d) in a safe area so it can be reinstalled when engagement of the system is desired. To re-activate the system, remove the Activation Cap (14a), lock washer (14b), and flat washer (14c). Install the compression plate (14d). **Ensure the compression plate (14d) is installed with the counterbore side against the compression spring.** Reinstall the flat washer (14c), lock washer (14b), and Activation Cap (14a). Tighten Activation Cap (14a) to 45 ft-lb.

Storage of the Trekker Hitch

It is recommended that the hitch be stored in an area protected from environmental elements when not in use. The Trekker should also be stored with the preload removed from the adaptive sway system. To remove the preload, loosen the Activation Caps (14a) 3-5 turns counterclockwise to disengage the system and ensure optimal performance for future towing.



Trekker Maintenance

The Trekker is factory lubricated and does not require additional lubrication. To extend the life of the Trekker hitch remove any debris or road grime that may accumulate on the trunnion wear plates. The Trekker Hook Up Brackets are provided with wear pads on the Hook Up Hanger to extend the life of the spring bars and the Hook Up Hangers. The factory pads should provide thousands of miles of use but can also be replaced (#48724).

LIMITED WARRANTY

This Warranty applies solely to the Weight Distributing Hitch (the "Product") manufactured by Camco Manufacturing, Inc. ("Camco")

1. **Warranty and Warranty Period.** Camco warrants to the Product's original purchaser or consumer (the "Purchaser") that the Product will be free of defects in manufacture and workmanship for a period of 5 Years from the date of consumer purchase or Camco will replace the Product free of charge (the "Warranty"). This Warranty is non-transferrable and applies only to the original vehicle on which the Product was installed.
2. **Limitations on the Warranty.** This Warranty does not cover the following: (a) normal wear and tear; (b) service or labor charges which are incurred in removing or replacing any Product; (c) the finish placed on the Product; (d) Product damage or failure which occurs as a result of abuse, neglect or misuse in any manner; and (e) damage which occurs to a Product that is misapplied, overloaded, improperly installed, or altered in any manner by anyone other than Camco.
3. **Obligation of Purchaser.** To obtain the benefits of this Warranty, the Purchaser must complete the following steps: **(a) fill out online Warranty Registration within 10 days of purchase at www.camco.net/warranty**; (b) promptly present the defective Product together with the proof of purchase to Camco located at 121 Landmark Drive, Greensboro, NC 27409 and (c) pay all handling, transportation, and shipping charges incurred for the return of the defective Product. Any defective Product returned to Camco shall become the property of Camco.
4. **Obligations of Camco.** Subject to the terms and limitations set forth in this Warranty, Camco's sole obligation will be to replace for the original Purchaser free of charge any Product that is found to be defective.
5. **Legal Rights.** THIS WARRANTY GIVES YOU SPECIFIC LEGAL RIGHTS AND YOU MAY ALSO HAVE OTHER RIGHTS WHICH VARY FROM STATE TO STATE. CAMCO MAKES NO EXPRESSED OR IMPLIED WARRANTY OF MERCHANTABILITY OR FITNESS FOR A PARTICULAR PURPOSE. SOME STATES DO NOT ALLOW LIMITATIONS ON HOW LONG AN IMPLIED WARRANTY LASTS, SO THE ABOVE LIMITATIONS MAY NOT APPLY TO YOU. CAMCO ASSUMES NO LIABILITY OR RESPONSIBILITY FOR BODILY INJURY THAT MAY BE INFLICTED ON THE PURCHASER, OPERATOR, SPECTATOR OR GENERAL PUBLIC WHO IS IN THE GENERAL AREA WHILE THIS EQUIPMENT IS IN USE, FOR THE LOSS OF THE USE OF ANY VEHICLE, LOSS OF TIME, RENTAL OF VEHICLES, LOSS OR DAMAGE TO PERSONAL PROPERTY, EXPENSES SUCH AS GASOLINE, TELEPHONE, LODGING, OR TOWING, OR ANY OTHER INCIDENTAL OR CONSEQUENTIAL DAMAGES INCURRED AS A RESULT OF THE USE OR OWNERSHIP OF ANY PRODUCT. SOME STATES DO NOT ALLOW THE EXCLUSION OF A LIMITATION OF INCIDENTAL OR CONSEQUENTIAL DAMAGES, SO THE EXCLUSION OR LIMITATION SET FORTH MAY NOT APPLY TO YOU. REPLACEMENT OF THE PRODUCT IN THE MANNER PROVIDED ABOVE SHALL CONSTITUTE FULFILLMENT OF ALL LIABILITIES OF CAMCO TO THE PURCHASER WHETHER BASED ON CONTRACT OR OTHERWISE.

CAMCO RESERVES THE RIGHT TO MAKE CHANGES IN DESIGN OR TO MAKE ADDITIONS OR IMPROVEMENTS WITHOUT BEING OBLIGATED TO INSTALL THE SAME UPON PRODUCTS COVERED BY THIS WARRANTY. THIS WARRANTY IS VALID ONLY IN THE UNITED STATES AND CANADA.

CAMCO MFG., INC.

121 Landmark Drive / Greensboro, NC 27409 / USA

1-800-334-2004

www.eaz-lift.com



PAGE 6

CD895041 #414 1007668R3