

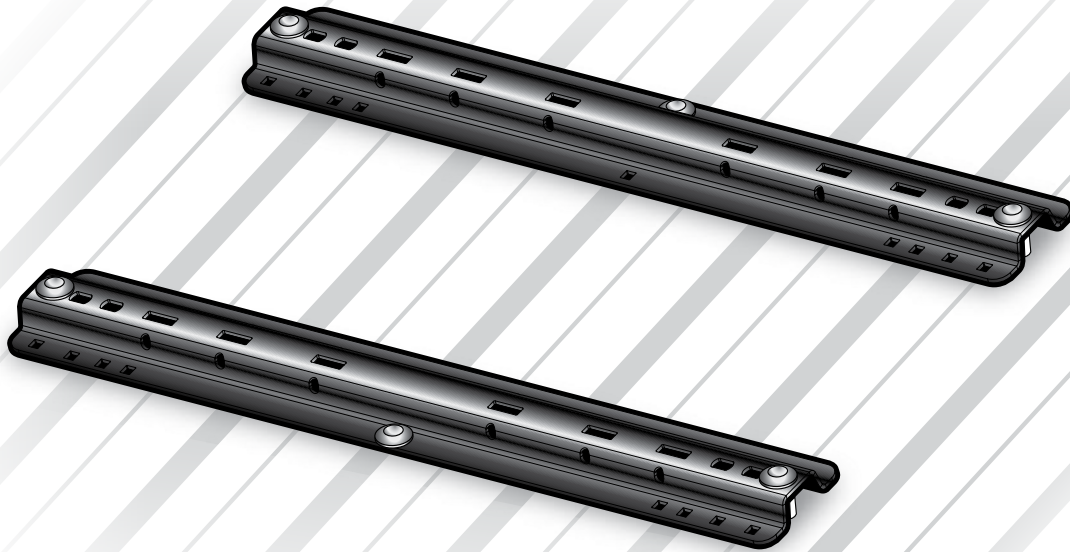


UNIVERSAL - 4/10 BOLT RAIL MOUNTING KIT

MODEL #48630

FOR USE WITH 5TH WHEEL TRAILERS

WARNING: CAREFULLY READ THE FOLLOWING INSTALLATION INFORMATION.



Installation and Operating Instructions

WARNING

- Study, understand, and follow all instructions before operating this device.
- Failure to heed these markings may result in personal injury and/or property damage.
- These instructions are guidelines only. Actual installation is the responsibility of the installer and the owner. Always measure truck and trailer before installing hitch to be sure that there is clearance at the cab and at the bumper to allow for turns.
- If the truck is raised, be sure that the truck is properly blocked and restrained to prevent the truck from falling. Failure to do so may result in the truck suddenly falling, causing death or serious injury.
- Before drilling check for obstructions. Failure to do so could result in damage to fuel or brake lines, structural members, etc.
- Heavy Duty vehicles may have additional interference where brackets are mounted to frame. If interference with suspension components results, cut bolt flush to nut outboard of frame or use weld option.
- Do not lubricate bolts
- It is important that 17/32" drill be used for holes in chassis frame as 1/2" Ribbed Neck bolts may break if too small a hole is used and neck may not grip if too large a hole is used.

CAUTION: CAMCO CANNOT BE HELD RESPONSIBLE FOR ANY DAMAGES DUE TO IMPROPER USE OR INSTALLATION OF THIS PRODUCT. CAMCO CANNOT BE HELD ACCOUNTABLE FOR THE STRUCTURAL INTEGRITY OF ANY FRAME.

Tools for Installation

- Electric drill
- 3/16" drill bit
- 17/32" drill bit
- 21/32" drill bit
- Ratchet w/extension
- 3/4" socket
- 15/16" socket
- 3/4" wrench
- Torque wrench capable of - 120 ft-lb
- C - clamps
- Appropriate safety protection (gloves, eye protection, etc.)

NOTICE

If product components are missing or damaged do not return to dealer, contact the manufacturer.
1-800-334-2004

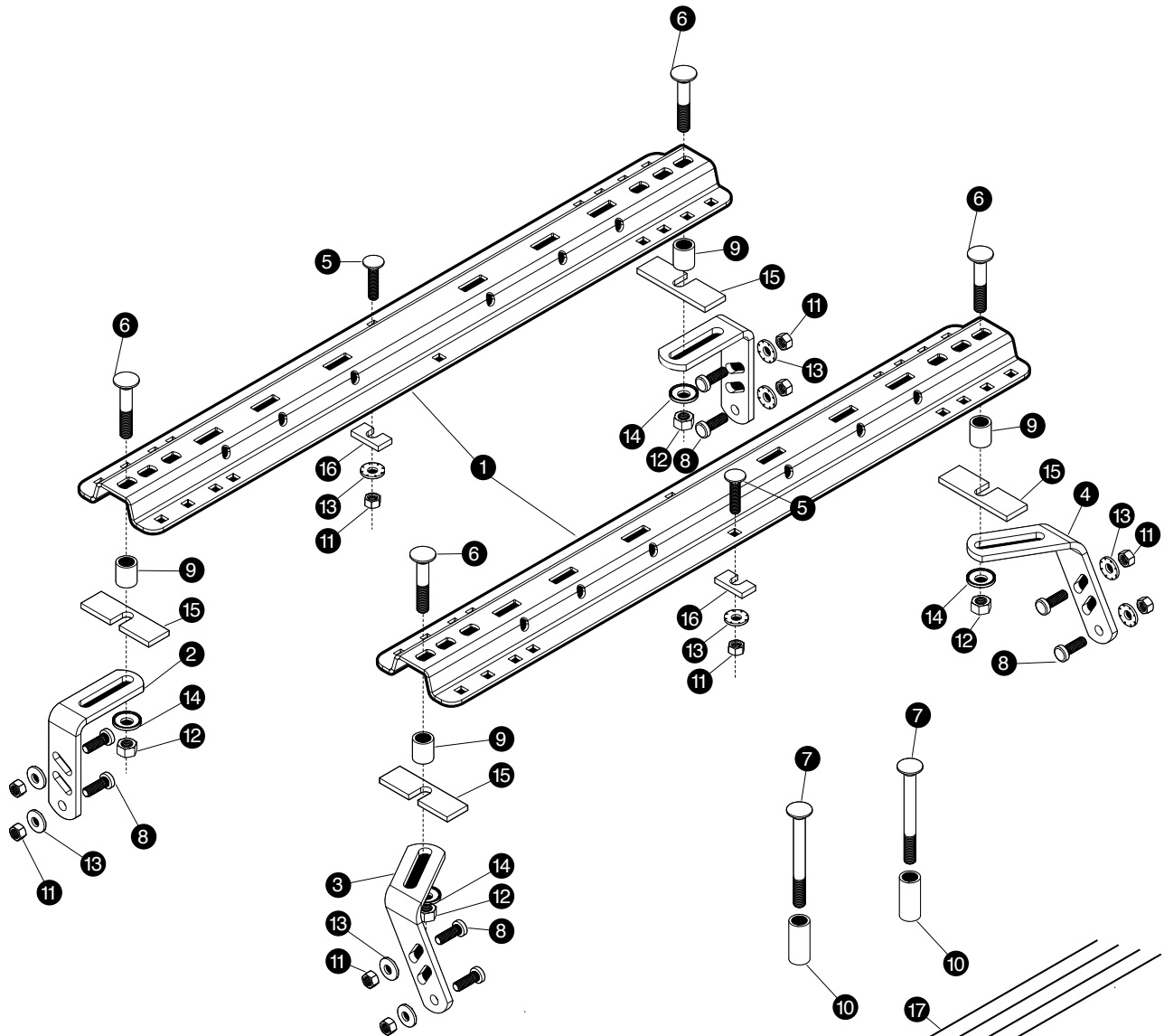


Guidelines for Matching Hitch, Truck and Trailer:

1. Trailer and all of its contents together must not exceed the truck, hitch and/or trailer tow rating.
2. Towing vehicle must have a manufacturer's rated towing capacity equal to or greater than the gross trailer weight.
Gross Trailer Weight = Trailer + Cargo + Water in tanks.
3. Gross Trailer Weight must not exceed

	5th Wheel	Gooseneck
Gross Trailer Weight	22,000	30,000
Vertical Load	5,500	7,500

Chart



NOTE: NOT ALL HARDWARE WILL BE USED DURING INSTALLATION.

No.	Description	Qty.
1	Base Rail	2
2	Frame Bracket - Straight	2
3	Frame Bracket - Angled Right	1
4	Frame Bracket - Angled Left	1
5	Carriage Bolt, 1/2 x 2-1/4" Round Head	2
6	Carriage Bolt, 5/8 x 3-1/2" Round Head	4
7	Carriage Bolt, 5/8 x 6" Round Head	2
8	Bolt, Ribbed Neck 1/2 x 1-1/2"	8
9	Spacer - Short Tube	4

No.	Description	Qty.
10	Spacer - Long Tube	2
11	Hex Nut - 1/2"	10
12	Hex Nut - 5/8"	4
13	Washer - Serrated 1/2"	10
14	Washer - Serrated 5/8"	4
15	Fill Shim - Large	4
16	Fill Shim - Small	2
17	Pull Wire - 1/2"	4

Additional 10-bolt hardware

No.	Description	Qty.
5	Carriage Bolt, 1/2 x 2-1/4" Round Head	8
11	Hex Nut - 1/2"	8
13	Washer - Serrated 1/2"	8
16	Fill Shim - Small	8

Installation

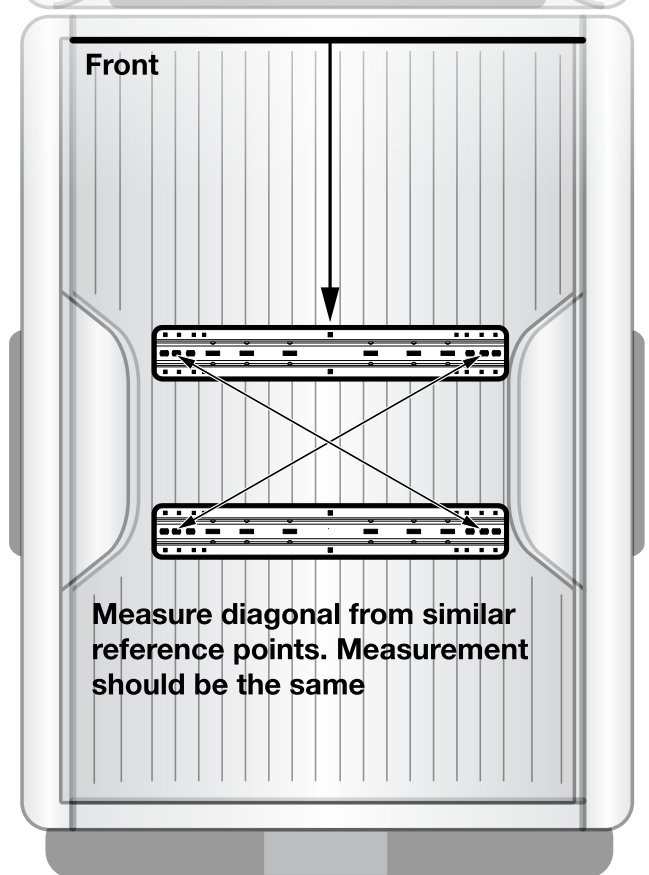
1. Use the following instructions to mount your rail kit. Check parts against parts list to ensure all parts are present and become familiar with each.
2. Truck may be raised to provide more clearance to install frame brackets. If the truck is raised, properly secure the vehicle with blocks and jack stands. Failure to do so may result in serious injury or death.
3. Do not install base rails over plastic bed liners. Plastic bed liners must be cut out of the way if present. Spray in liners are acceptable.
4. Use only Camco Manufacturing supplied hardware to install this kit. All bolts are grade 5 and nuts are grade 5 unless otherwise specified.
5. Specific installation instructions for late model trucks are included. If your vehicle is not represented contact a local dealer for professional installation. All installations require one bolt at each end of each base rail through the bed to the frame bracket and two bolts through each frame bracket into the vehicle frame. Optional weld can be used instead of two frame bracket bolts.

To prevent the trailer from hitting the cab with the trailer turned 90°, the center of the hitch should be at least 52" from the back of the cab when using a long bed truck. (Actual distance required will depend on trailer width and king pin location.) Short bed trucks (Minimum 38" from back cab to axle center line).

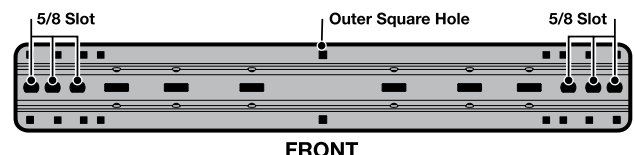
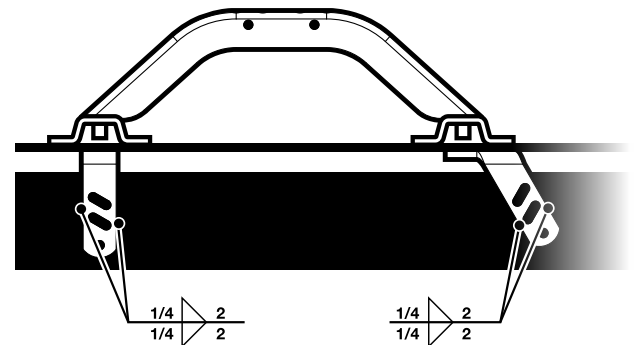
SHORT BED TRUCKS REQUIRE SLIDER HITCH.)

6. Measurements for rail placement are given from rear edge of truck bed to rear edge of the base rail closest to the rear edge of truck bed.
7. Center base rails between fender wells and make sure rails are square by measuring diagonally between base rails. This measurement should be the same.
8. Identify and mark which of the 5/8" slots at each end of each bed rail best lines up to the frame brackets below (4 total marks). Measure carefully to make sure the frame bracket lines up under the hole you have chosen. Hole location selections will vary by vehicle application. Using a 3/16" drill bit drill 4 pilot holes at these marks. Enlarge the pilot holes with a 21/32" drill bit. Install tube spacer between base rail and bed, install 5/8 x 3-1/2" carriage bolts through bed rail, tube spacer and drilled hole in bed. Install large fill shim above or below bed to fill corrugations in bed floor.
9. Drill pilot hole with 3/16" drill bit through the **outer** most square holes in the center of both base rails. Enlarge holes with 17/32" drill bit. Install 1/2" carriage bolts into holes. Install small fill shim below bed and secure bolts with serrated washers and hex nuts. Outer Center bolts are required for all installations.
10. Under the bed, install frame brackets on to carriage bolts. Use the "angled left" and "angled right" brackets to avoid frame obstructions. Secure frame brackets by attaching serrated washer and hex nut to each carriage bolt. Do not torque nuts at this time.
11. Select the frame bracket holes/slots that best match up to the vehicle frame. Drill two 17/32" holes in truck frame at each bracket. Install 8 (two at each bracket) 1/2 x 1-1/2" ribbed neck bolts (head of bolt is on inside of frame), serrated washers and hex nuts. Tightened nuts until bolt ribs seat. Lubrication of bolt ribs is recommended. Do not lubricate bolt threads. Pull wires are supplied to facilitate feeding the 1/2" bolts through the frame.
12. Torque all 1/2" nuts to 75 lb-ft and all 5/8" nuts to 120 lb-ft.

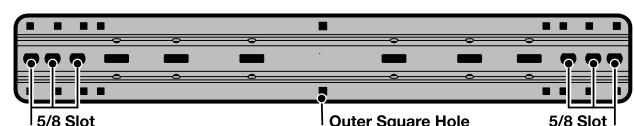
*If installing camco bedrails on a truck with existing 10-bolt brackets use included 10- bolt hardware bag to install.



Optional weld on application can be used on all trucks



FRONT



REAR

Ford

1999 - 2016

Ford F250-F350-F450 Superduty Pickup (NOT CAB CHASSIS)
Adapter Kit Sold Separately (#48592)

2004 - 2014

Ford F150 (except 2004 Heritage Model) - 5-1/2', 6' & 8' Beds
Adapter Kit Sold Separately (#48593)

GM

1999 - 2010

Chevrolet-Silverado and GMC-Sierra: (Approx 1" ahead of axle.)
Long Bed

With 5th wheel assembly in the bed of the truck, position the rear rail 31" from rear edge of truck bed. Attach the left and right angled frame brackets to the rear 5th wheel rail. Then attach the frame bracket to the front 5th wheel rail. NOTE: The left and right angle bracket can be mounted on either side of the truck if needed.

1999 - 2010

Chevrolet-Silverado and GMC-Sierra: (Approx 1" behind of axle.)
Short Bed

With 5th wheel assembly in the bed of the truck. Position the rear rail 23-1/2" from rear edge of truck bed. Attach the left and right angled frame brackets to the rear 5th wheel rail. Then attach the frame bracket to the front 5th wheel rail. NOTE: The left and right angle bracket can be mounted on either side of the truck if needed.

2011 - 2016

Chevrolet-Silverado and GMC-Sierra: (Approx 1" ahead of axle.)
Long Bed

With 5th wheel assembly in the bed of the truck, position the rear rail 29-11/16" from rear edge of truck bed. Attach the left and right angled frame brackets to the rear 5th wheel rail. Then attach the frame bracket to the front 5th wheel rail. NOTE: The left and right angle bracket can be mounted on either side of the truck if needed.

2011 - 2016

Chevrolet-Silverado and GMC-Sierra: (Approx 1" behind of axle.)
Short Bed

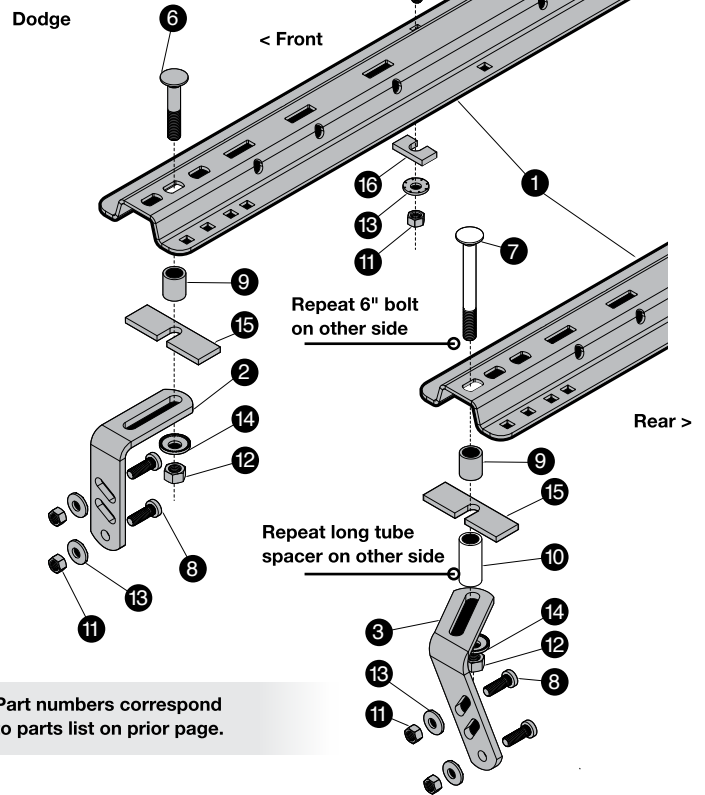
With 5th wheel assembly in the bed of the truck. Position the rear rail 25-3/16" from rear edge of truck bed. Attach the left and right angled frame brackets to the rear 5th wheel rail. Then attach the frame bracket to the front 5th wheel rail. NOTE: The left and right angle bracket can be mounted on either side of the truck if needed.

Dodge

2003-2013

Dodge 2500/3500: (Over the axle)

With 5th wheel assembly in the bed of the truck. Position the rear rail 28-3/4" from rear edge of truck bed. Using the outer most 5/8" slot shown in the rear rail, drill a 3/16" hole in the bed. Check to make sure that the hole is inside the bed sill. Enlarge the hole to 21/32" and drill down through the bottom of the sill. Insert the large fill shim into the bed corrugation. Place the short spacer tube above the plate. Set the rail over the tube spacer. Place the long



Part numbers correspond to parts list on prior page.

spacer tube into the bed sill from the outside edge. Insert a 5/8 x 6" carriage bolt through the bed rail and all of the hardware. Place one of the angled brackets over the bolts. Install serrated washer and nut on the bolt. Angle brackets can be reversed from the left side to the right if it will improve the installation. Follow step 11 to bolt angled bracket to the frame.

Using the center 5/8" slot in the front rail, drill a 3/16" hole through the bed. Check to be sure the straight brackets will align with this hole. Brackets will be in front of bed sill. Enlarge the hole to 21/32" and drill through the bottom of the sill. Insert the large fill shim into the bed corrugation. Place the short spacer tube above the plate. Set the rail over the tube spacer. Insert a 5/8 x 3-1/2" carriage bolt through the bed rail and all of the above hardware. Place one of the straight brackets over the bolts. Install serrated washer and nut on the bolt. Follow step 11 to bolt straight bracket to the frame.

2002-2008

Dodge 1500 - Adapter Kit Sold Separately (#48594)

2009-2015

Dodge 1500 - Adapter Kit Sold Separately (#48595)

LIMITED WARRANTY

This Warranty applies solely to the Rail Mount Kit (the "Product") manufactured by Camco Manufacturing, Inc. ("Camco")

1. Warranty and Warranty Period. Camco warrants to the original purchaser or consumer (the "Purchaser") of the Product will be free of defects in manufacture and workmanship for a period of 5 years from the date of consumer purchase or Camco will replace the Product free of charge (the "Warranty"). This Warranty is non-transferrable and applies only to the original vehicle on which the Product was installed.
2. Limitations on the Warranty. This Warranty does not cover the following: (a) normal wear and tear; (b) service or labor charges which are incurred in removing or replacing any Product; (c) the finish placed on the Product; (d) Product damage or failure which occurs as a result of abuse, neglect or misuse in any manner; and (e) damage which occurs to a Product that is misapplied, overloaded, improperly installed, or altered in any manner by anyone other than Camco.
3. Obligation of Purchaser. To obtain the benefits of this Warranty, the Purchaser must complete the following steps: (a) fill out online Warranty Registration within 10 days of purchase at www.camco.net/warranty; (b) promptly present the defective Product together with the proof of purchase to any of Camco dealer, distributor, or return it to the factory located at 121 Landmark Drive, Greensboro, NC 27409 and (c) pay all handling, transportation, and shipping charges incurred for the return of the defective Product. Any defective Product returned to Camco shall become the property of Camco.

4. Obligations of Camco. Subject to the terms and limitations set forth in this Warranty, Camco's sole obligation will be to replace for the original Purchaser free of charge any Product that is found to be defective.
5. Legal Rights. THIS WARRANTY GIVES YOU SPECIFIC LEGAL RIGHTS AND YOU MAY ALSO HAVE OTHER RIGHTS WHICH VARY FROM STATE TO STATE. CAMCO MAKES NO EXPRESSED OR IMPLIED WARRANTY OF MERCHANTABILITY OR FITNESS FOR A PARTICULAR PURPOSE. SOME STATES DO NOT ALLOW LIMITATIONS ON HOW LONG AN IMPLIED WARRANTY LASTS, SO THE ABOVE LIMITATIONS MAY NOT APPLY TO YOU.

CAMCO ASSUMES NO LIABILITY OR RESPONSIBILITY FOR BODILY INJURY THAT MAY BE INFLECTED ON THE PURCHASER, OPERATOR, SPECTATOR OR GENERAL PUBLIC WHO IS IN THE GENERAL AREA WHILE THIS EQUIPMENT IS IN USE, FOR THE LOSS OF THE USE OF ANY VEHICLE, LOSS OF TIME, RENTAL OF VEHICLES, LOSS OR DAMAGE TO PERSONAL PROPERTY, EXPENSES SUCH AS GASOLINE, TELEPHONE, LODGING, OR TOWING, OR ANY OTHER INCIDENTAL OR CONSEQUENTIAL DAMAGES INCURRED AS A RESULT OF THE USE OR OWNERSHIP OF ANY PRODUCT. SOME STATES DO NOT ALLOW THE EXCLUSION OF A LIMITATION OF INCIDENTAL OR CONSEQUENTIAL DAMAGES, SO THE EXCLUSION OR LIMITATION SET FORTH MAY NOT APPLY TO YOU. REPLACEMENT OF THE PRODUCT IN THE MANNER PROVIDED ABOVE SHALL CONSTITUTE FULFILLMENT OF ALL LIABILITIES OF CAMCO TO THE PURCHASER WHETHER BASED ON CONTRACT OR OTHERWISE.

CAMCO RESERVES THE RIGHT TO MAKE CHANGES IN DESIGN OR TO MAKE ADDITIONS OR IMPROVEMENTS WITHOUT BEING OBLIGATED TO INSTALL THE SAME UPON PRODUCTS COVERED BY THIS WARRANTY. THIS WARRANTY IS VALID ONLY IN THE UNITED STATES AND CANADA.

CAMCO MFG., INC.

121 Landmark Drive / Greensboro, NC 27409 / USA

1-800-334-2004

www.camco.net

