

# 2013-2017 RAM 3500 ADAPTER KIT

MODEL #48598

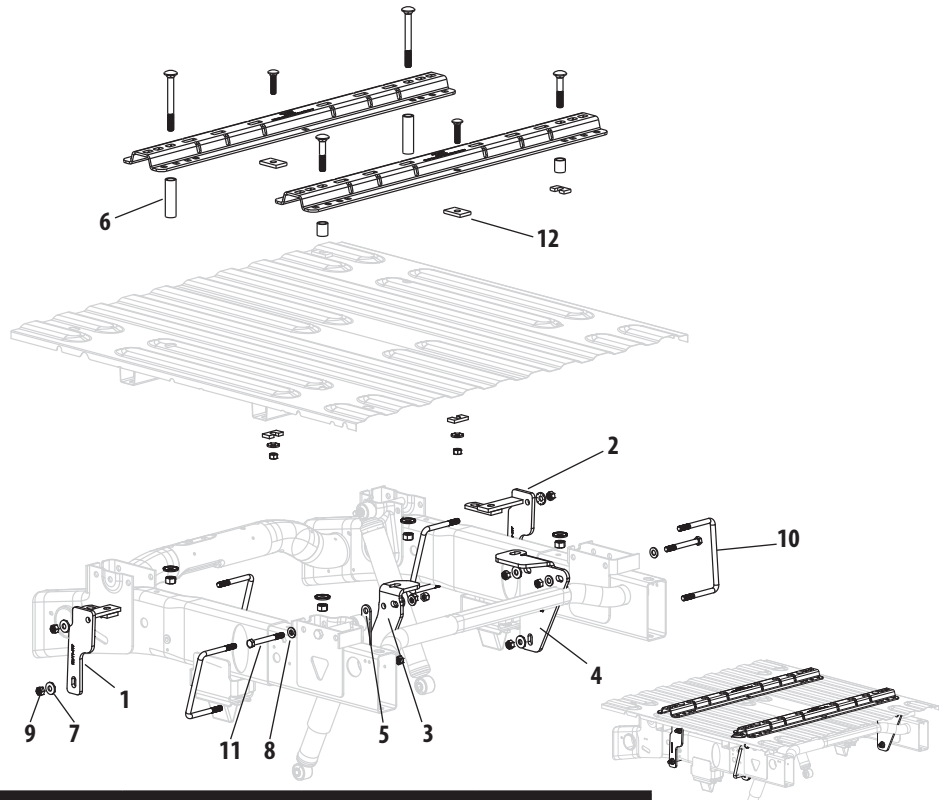
**CAREFULLY READ THE FOLLOWING INSTALLATION INFORMATION.**

Item no	Description	Included
1	Frame Bracket – Driver Front	1
2	Frame Bracket – Passenger Front	1
3	Frame Bracket – Driver Rear	1
4	Frame Bracket – Passenger Rear	1
5	Spacer, Driver Rear	1
6	Tube Spacer, 4" Long	2
7	Washer – Flat, 1/2"	4
8	Washer – Conical, 1/2"	8
9	Nut, 1/2", Locking, Grade 5	10
10	Square U-Bolt, 1/2" x 4-5/8", Grade 5	4
11	Bolt, 1/2" x 4-1/2", Grade 8	2
12	Spacer Block, 8mm x 40mm x 60mm	2

BASE RAILS AND ALL OTHER HARDWARE SHOWN INCLUDED IN PART #48630

## WARNING

- Do not install mounting rails over plastic bed liners. Plastic liners must be trimmed away to allow base rails to contact bed directly. Spray in bed liners are acceptable.
- These instructions are guidelines only. Actual installation is the responsibility of the installer and the owner.
- Use only supplied hardware for installation.
- Before beginning installation of mounting rails, brackets, and hitch measure to make sure adequate clearance between the truck and trailer exists to allow for turns.



### Tools Needed

1/8" Drill Bit	11/16" Drill Bit	3/4" Socket/Wrench	Center Punch
9/16" Drill Bit	1-1/8" Drill Bit	15/16" Socket/Wrench	

## Installation Instructions

- Lower and remove the spare tire if extra room is required. Remove plastic wheel well liners and exhaust hangers for access to the frame.
- Detach the clips holding the electrical wire loom and brake lines to the inner driver side of the frame.
- Temporarily install both rear frame brackets and spacer [3, 4, 5] using 1/2" bolts, flat washers, and nuts [7, 9, 11] along with 1/2" U-Bolts, conical washers and nuts [8, 9, 10] into the existing holes in the overload brackets [see figure above]. Only loosening tighten hardware at this time. Center punch the bed from underneath through the base rail mounting slots (1 per bracket).
- Place the rear base rail in the bed of the truck and align with the center punches. Punch marks should align with the inner most 4 bolt mounting slots. Adjust center punch marks side to side as needed to center base rail in the truck bed. Move the base rail out of the way and drill 1/8" holes through the bed at the center punch locations. From underneath check to make sure the 1/8" holes line up with the frame brackets.

CONTINUED ON PAGE 2

CAMCO MFG., INC.

121 LANDMARK DRIVE / GREENSBORO, NC 27409 / USA

1-800-334-2004

WWW.CAMCO.NET

**LIMITED WARRANTY:** Camco warrants this product to be free from defects in material and workmanship under normal use and service conditions for 12 months from the date of first purchase. Camco's liability is limited solely to the replacement of any defective product returned to us. To the extent allowable by law, Camco makes no other warranty, either expressed or implied, nor assumes any liability for incidental or consequential damages resulting from the use of this product or for breach of warranty of merchantability or fitness for a particular purpose. Submit warranty claims to Camco Manufacturing, 121 Landmark Drive, Greensboro, NC 27409.

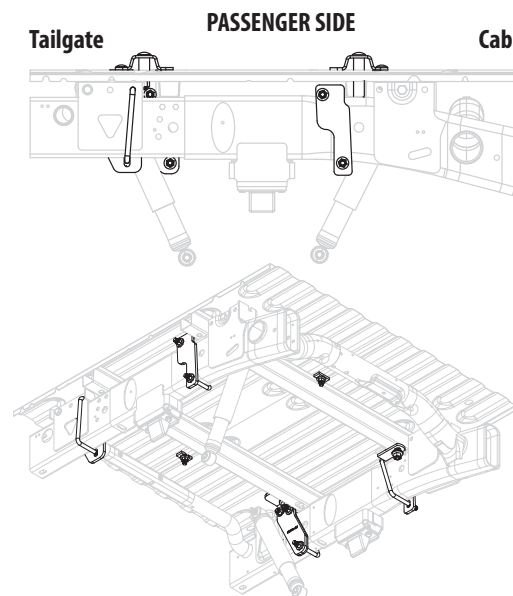
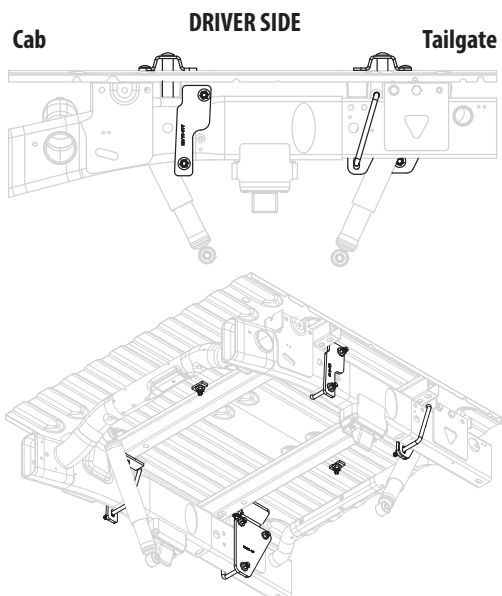
CD895089 1015088R2 #1017

**CAMCO**

# 2013-2017 RAM 3500 ADAPTER KIT

MODEL #48598

5. Remove the frame brackets and enlarge the 1/8" holes to 11/16". Reinstall frame brackets and mount rear base rail using 5/8" x 3-1/2" carriage bolts, tube spacers, fill shims - small, 5/8" conical washers, and 5/8" nuts (hardware in 48630 bolt pack). Fill shims to be installed in the truck bed corrugation either between frame bracket and truck bed or between base rail and truck bed. Loosely tighten 5/8" bolts at this time.
6. Place the unassembled fifth wheel legs, slider, or gooseneck in the rear base rail. Position the forward base rail by aligning with the fifth wheel legs, slider, or gooseneck. Push the forward base rail toward the rear base rail to ensure a tight fit. If the fifth wheel or gooseneck to be used with the truck is not available set up the forward rail 22" on center from the rear rail. Be sure the forward rail is centered between the bed box sides. Center punch in the inner most 4-bolt mounting slots on each end of the base rail. Drill 1/8" holes through the bed and bed support at the center punch locations.
7. Mount the front frame brackets [1,2] on each side using the included square U-bolts, 1/2" conical washers and 1/2" nuts [8,9,10]. Loosely tighten the nuts at this time.
8. Check to make sure the 1/8" holes in the bed align with the slot in the front frame brackets. Remove the front frame brackets from the vehicle.
9. Enlarge 1/8" holes to 1-1/8". Re-attach the front frame brackets and hardware. Leave nuts loosely tightened at this time.
10. Mount forward base rail using 5/8" x 6" carriage bolts, 4" long tube spacers [6], 5/8" conical washers, and 5/8" nuts (all hardware except 4" tube spacer is in 48630 bolt pack). Loosely tighten 5/8" bolts at this time. The 4" tube spacers should contact the underside of the base rail on the top and the frame bracket at the bottom to prevent crushing the bed corrugation and bed support when the bolts are torqued.
11. Install fifth wheel or gooseneck into base rails to ensure proper fit and spacing. Keep the fifth wheel or gooseneck installed and final torque all bolts.
  - a. 1/2" hardware to 75 ft-lbs [102 N\*M]
  - b. 5/8" hardware to 150 ft-lbs [204 N\*M]
12. 1/2" carriage bolts are required in the outer most square holes in center of base rails for all installations. Refer to 48630 instructions for specifics. In this installation (1) 8mm spacer block [12] will be used between the base rail and the truck bed.
13. Reattach the electrical wire loom and brake lines to the frame.
14. Replace plastic wheel well liners, exhaust hangers and spare tire if removed at beginning.



**CAMCO MFG., INC.**

121 LANDMARK DRIVE / GREENSBORO, NC 27409 / USA

1-800-334-2004

[WWW.CAMCO.NET](http://WWW.CAMCO.NET)

**LIMITED WARRANTY:** Camco warrants this product to be free from defects in material and workmanship under normal use and service conditions for 12 months from the date of first purchase. Camco's liability is limited solely to the replacement of any defective product returned to us. To the extent allowable by law, Camco makes no other warranty, either expressed or implied, nor assumes any liability for incidental or consequential damages resulting from the use of this product or for breach of warranty of merchantability or fitness for a particular purpose. Submit warranty claims to Camco Manufacturing, 121 Landmark Drive, Greensboro, NC 27409.

**CAMCO**