

# 2014-2017 RAM 2500 ADAPTER KIT

MODEL #48596

CAREFULLY READ THE FOLLOWING INSTALLATION INFORMATION.

Item no	Description	Included
1	Frame Bracket – Driver Front	1
2	Frame Bracket – Passenger Front	1
3	Frame Bracket – Driver Rear	1
4	Frame Bracket – Passenger Rear	1
5	Bolt, M12-1.5 x 40mm, Hex Head, Class 10.9	8
6	Washer – Conical, 1/2"	8

BASE RAILS AND ALL OTHER HARDWARE SHOWN INCLUDED IN PART #48630

## WARNING

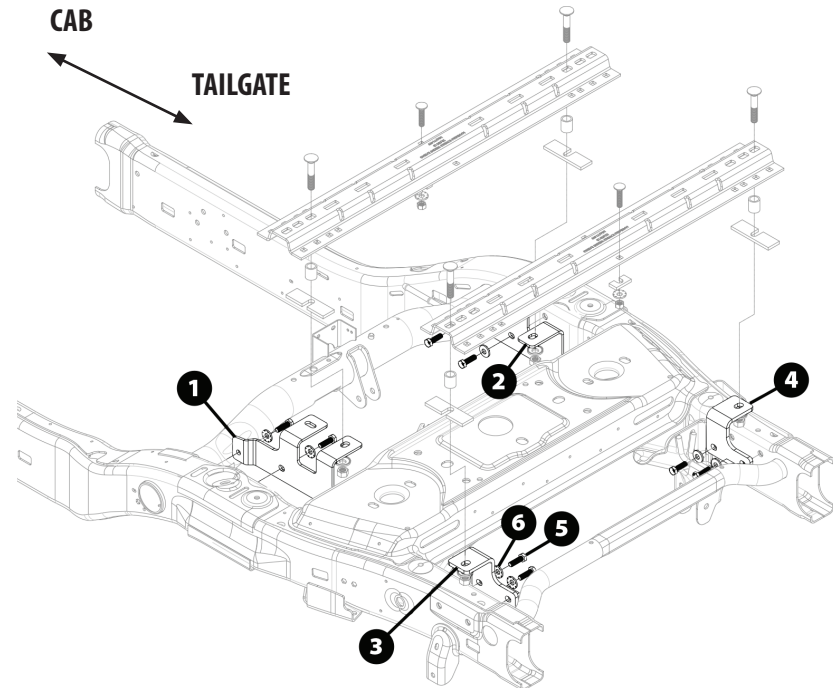
- Do not install mounting rails over plastic bed liners. Plastic liners must be trimmed away to allow base rails to contact bed directly. Spray in bed liners are acceptable.
- Use only supplied hardware for installation.
- Before beginning installation of mounting rails, brackets, and hitch measure to make sure adequate clearance between the truck and trailer exists to allow for turns.

### Tools Needed

1/8" Drill Bit

11/16" Drill Bit

19mm Wrench/Socket



## Installation Instructions

- Lower and remove the spare tire if extra room is required. Remove plastic wheel well liners for access to the frame.
- Detach the electrical wire loom and brake lines from inside frame rail on the driver's side to allow the front bracket [1] to be installed.
- Temporarily install both front frame brackets [1 & 2] to the inside surface of the frame using M12 bolts [5] and 1/2" conical washers [6] into the existing weld nuts in the frame. The vertical segments of the bracket should be straddling the truck bed support. Push both brackets forward toward the cab of the truck as far as they will go taking up any slop in the bracket holes. This will help ensure the mounting rail is installed perpendicular to the frame. Center punch the bed from underneath through the rearmost mounting slot. Place the forward mounting rail in the bed of the truck and align with the center punches. Punch marks should align with the inner most 4-bolt rail mounting location. Adjust center punch marks side to side as needed to center base rail in the truck bed. Move the base rail out of the way and drill 1/8" holes through the bed at the center punch locations. From underneath check to make sure the 1/8" holes line up with the frame brackets.
- Remove the front frame brackets and enlarge 1/8" holes to 11/16". Reinstall the front frame brackets and mount forward base rail using 5/8" x 3.5" long carriage bolts, tube spacers, and fill shims, 5/8" conical washers and 5/8" nuts (all hardware supplied in base rail kit). Tube spacer to be installed between base rail and truck bed. Fill shims to be installed in the truck bed corrugation either between frame bracket and truck bed or between base rail and truck bed. Loosely tighten 5/8" nuts at this time.

CONTINUED ON PAGE 2

CAMCO MFG., INC.

121 LANDMARK DRIVE / GREENSBORO, NC 27409 / USA

1-800-334-2004

WWW.CAMCO.NET

**LIMITED WARRANTY:** Camco warrants this product to be free from defects in material and workmanship under normal use and service conditions for 12 months from the date of first purchase. Camco's liability is limited solely to the replacement of any defective product returned to us. To the extent allowable by law, Camco makes no other warranty, either expressed or implied, nor assumes any liability for incidental or consequential damages resulting from the use of this product or for breach of warranty of merchantability or fitness for a particular purpose. Submit warranty claims to Camco Manufacturing, 121 Landmark Drive, Greensboro, NC 27409.

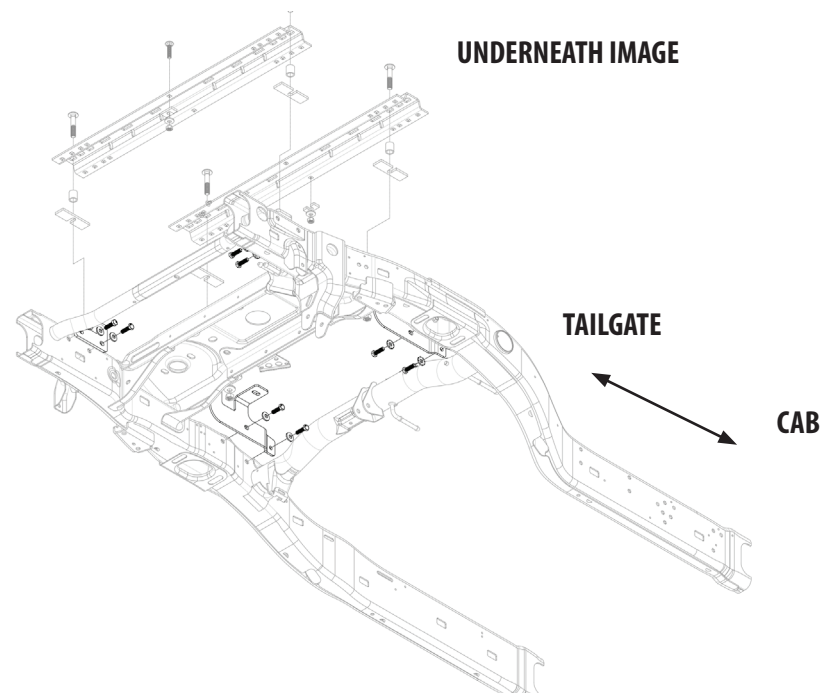
CD895076 1014651R1 #117

**CAMCO**

# 2014-2017 RAM 2500 ADAPTER KIT

MODEL #48596

5. Place the unassembled fifth wheel legs, slider, or gooseneck in the forward base rail. Position the rear base rail by aligning with the fifth wheel legs, slider, or gooseneck. Push the rear base rail toward the forward rail to ensure a tight fit. If the fifth wheel or gooseneck to be used with the truck is not available set up the rear rail 22" on center from the forward rail. Be sure the rear rail is centered between the bed box sides. Center punch in the center of the outer most 4-bolt mounting hole on each side of the rear rail. Rear edge of rear base rail should be approximately 25 5/8" (long base) -or- 23 3/4" (short box) from the end of truck bed.
6. Temporarily install both rear frame brackets [3 & 4] to the inside surface of the frame using the remaining M12 bolts (5) and 1/2" conical washers [6] into the existing weld nuts. Check to make sure the center punch in the bed aligns with the slot in the frame brackets. Drill 1/8" holes through bed at the center punch locations. Remove rear frame brackets once confident everything aligns.
7. Enlarge 1/8" holes to 11/16" and reinstall rear frame brackets. Mount rear base rail using 5/8" x 3.5" long carriage bolts, tube spacers, and fill shims, 5/8" conical washers and 5/8" nuts (all hardware supplied in base rail kit). Tube spacer to be installed between base rail and truck bed. Fill shims to be installed in the truck bed corrugation either between frame bracket and truck bed or between base rail and truck bed. Loosely tighten 5/8" nuts at this time.
8. Install fifth wheel or gooseneck into base rails to ensure proper fit and spacing. Keep fifth wheel or gooseneck installed and final torque all bolts.
  - a. 1/2" hardware to 75 ft-lbs [102 N\*M]
  - b. 5/8" hardware to 150 ft-lbs [204 N\*M]
  - c. M12 hardware to 92 ft-lbs [125 N\*M]
9. 1/2" carriage bolts required in outer most square holes in center of both base rails for all installations. Refer to 48630 instructions for specifics.
10. Replace plastic wheel well liners and spare tires removed at beginning.



**CAMCO MFG., INC.**  
121 LANDMARK DRIVE / GREENSBORO, NC 27409 / USA  
1-800-334-2004  
[WWW.CAMCO.NET](http://WWW.CAMCO.NET)

**LIMITED WARRANTY:** Camco warrants this product to be free from defects in material and workmanship under normal use and service conditions for 12 months from the date of first purchase. Camco's liability is limited solely to the replacement of any defective product returned to us. To the extent allowable by law, Camco makes no other warranty, either expressed or implied, nor assumes any liability for incidental or consequential damages resulting from the use of this product or for breach of warranty of merchantability or fitness for a particular purpose. Submit warranty claims to Camco Manufacturing, 121 Landmark Drive, Greensboro, NC 27409.

**CAMCO**