



LUCERNE™ WALL-HUNG LAVATORY

- Vitreous china
- Front overflow
- D-shaped bowl
- Self-draining deck area with contoured back and side splash shields
- Faucet ledge

Faucet holes on 203mm (8") centers (Illus.):

- 0356.028** For exposed bracket support
Shown with 4801.862 Amaris Heritage faucet with Triune Cross handles (not included)
- 0356.015** For wall hanger (included) or concealed arms support
- 0356.037** For wall hanger (included) or concealed arms support
 - Extra right-hand hole
- 0356.073** For wall hanger (included) or concealed arms support
 - Extra left-hand hole

Faucet holes on 102mm (4") centers:

- 0355.027** For exposed bracket support
- 0355.012** For wall hanger (included) or concealed arms support
- 0355.034** For wall hanger (included) or concealed arms support
 - Extra right-hand hole
- 0355.056** For wall hanger (included) or concealed arms support
 - Extra left-hand hole

Single center faucet hole (Illus.):

- 0356.041** for exposed bracket support
Shown with 1340.000 metering faucet (not included)
- 0356.421** for wall hanger (included) or concealed arms support
- 0356.137** For wall hanger (included) or concealed arms support
 - Extra right-hand hole
- 0356.115** For wall hanger (included) or concealed arms support
 - Extra left-hand hole

Nominal Dimensions:
 521 x 464mm (20-1/2" x 18-1/4")

Bowl sizes:
 381mm (15") wide, 254mm (10") front to back,
 165mm (6-1/2") deep

Compliance Certifications -
Meets or Exceeds the Following Specifications:
 • ASME A112.19.2 for Vitreous China Fixtures



Top of front rim mounted 864mm (34") from finished floor.
MEETS THE AMERICAN DISABILITIES ACT GUIDELINES AND ANSI A117.1 ACCESSIBLE AND USEABLE BUILDINGS AND FACILITIES - CHECK LOCAL CODES.



0356.028



0356.041

To Be Specified

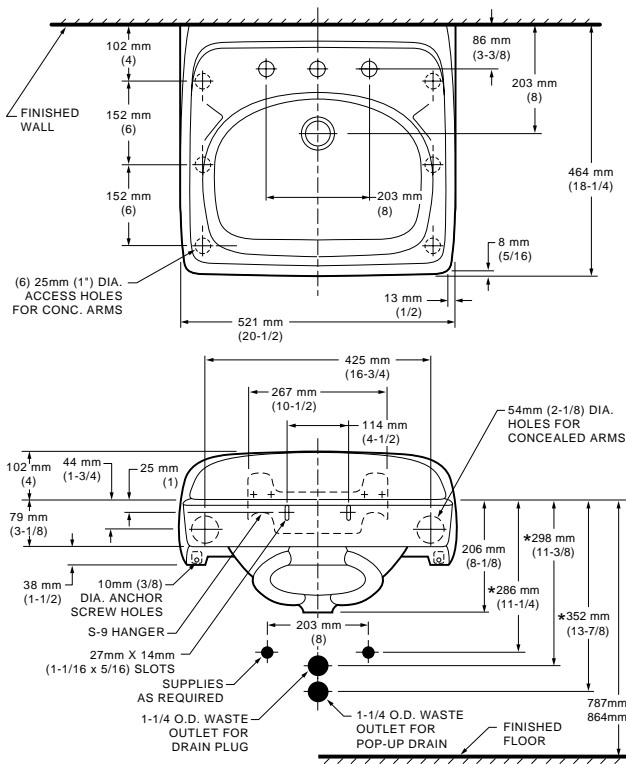
- Color: White Bone Silver Black
- Shell
- Faucet*: Faucet Finish:
- Supplies: 1-1/4" Trap:
- Nipple:
- Bracket Support (by others):
- Concealed Arms Support (by others):

* See faucet section for additional models available

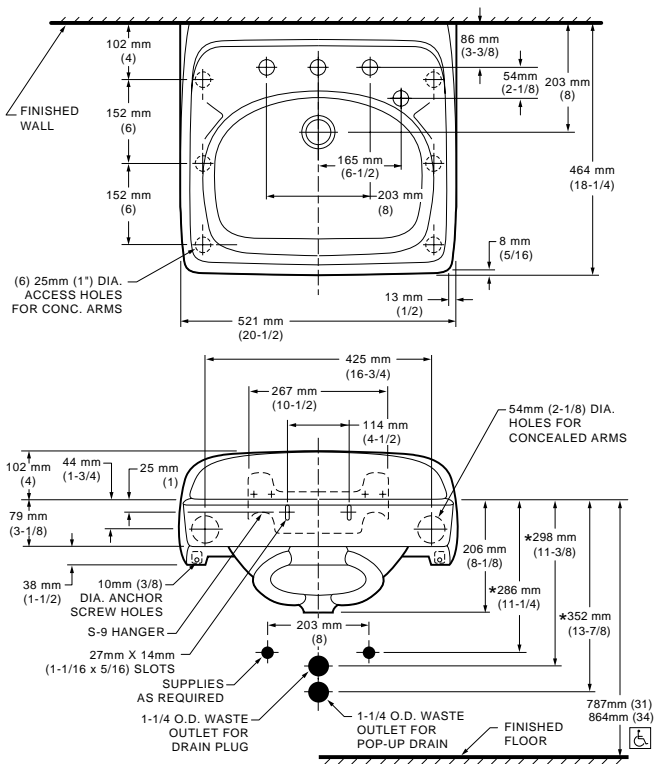
NOTE: Roughing-in information shown on reverse side of page



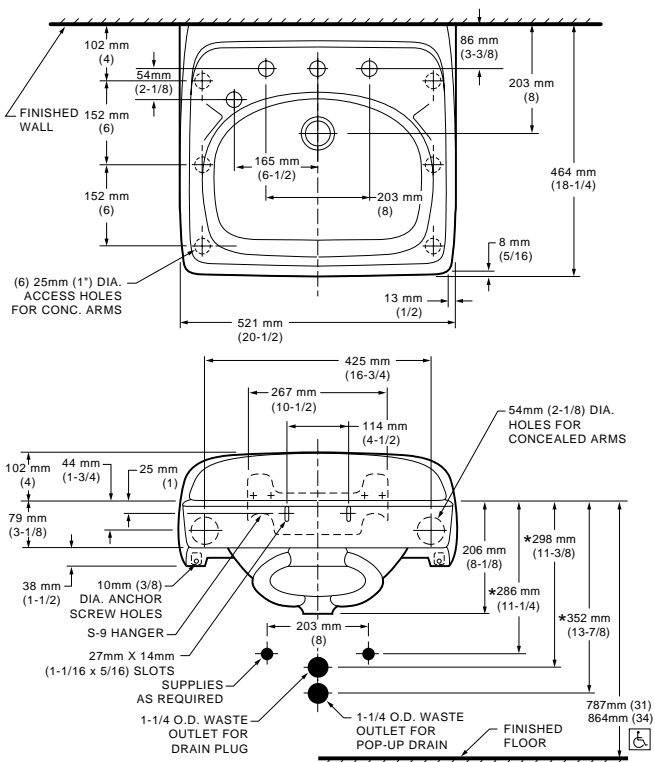
0356.015 8" CTRS FOR WALL HANGER OR CONCEALED ARMS



0356.037 8" CTRS FOR WALL HANGER OR CONCEALED ARMS
EXTRA RIGHT HAND HOLE



0356.073 8" CTRS FOR WALL HANGER OR CONCEALED ARMS
EXTRA LEFT HAND HOLE



NOTES:

* DIMENSIONS SHOWN FOR LOCATION OF SUPPLIES AND "P" TRAP ARE SUGGESTED.

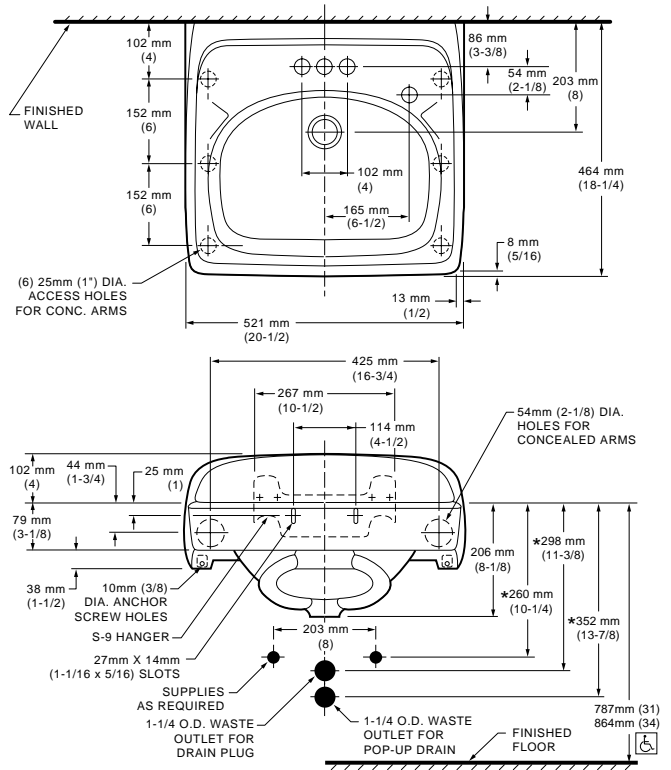
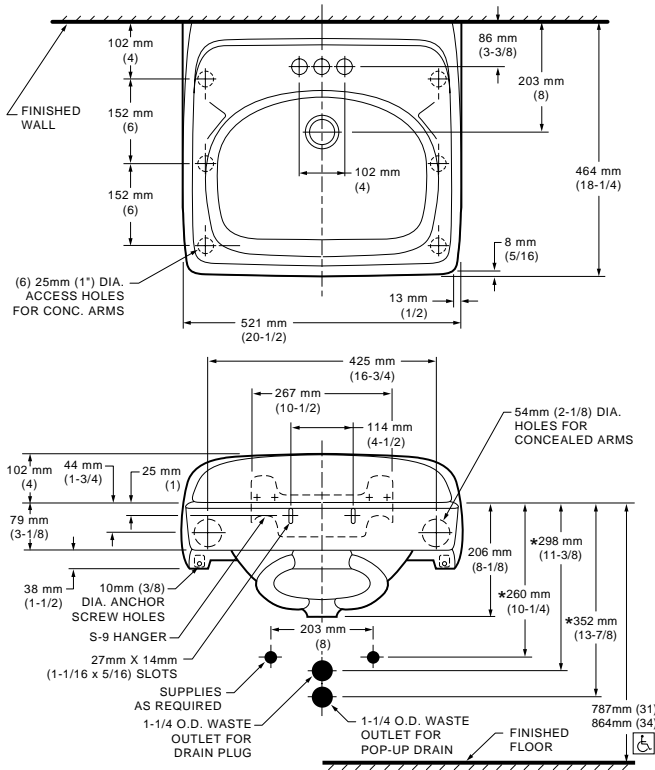
LAVATORY DESIGNED TO MEET ADA HANDICAPPED GUIDELINES WITH MOUNTING HEIGHT SET AT 864MM (34") ABOVE FINISHED FLOOR. PROVIDE SUITABLE REINFORCEMENT FOR ALL WALL SUPPORTS. FITTINGS NOT INCLUDED AND MUST BE ORDERED SEPARATELY. CONCEALED ARM SUPPORT AS REQUIRED TO BE FURNISHED BY OTHERS. IMPORTANT: Dimensions of fixtures are nominal and may vary within the range of tolerances established by ANSI Standard A112.19.2.

These measurements are subject to change or cancellation. No responsibility is assumed for use of superseded or voided pages.

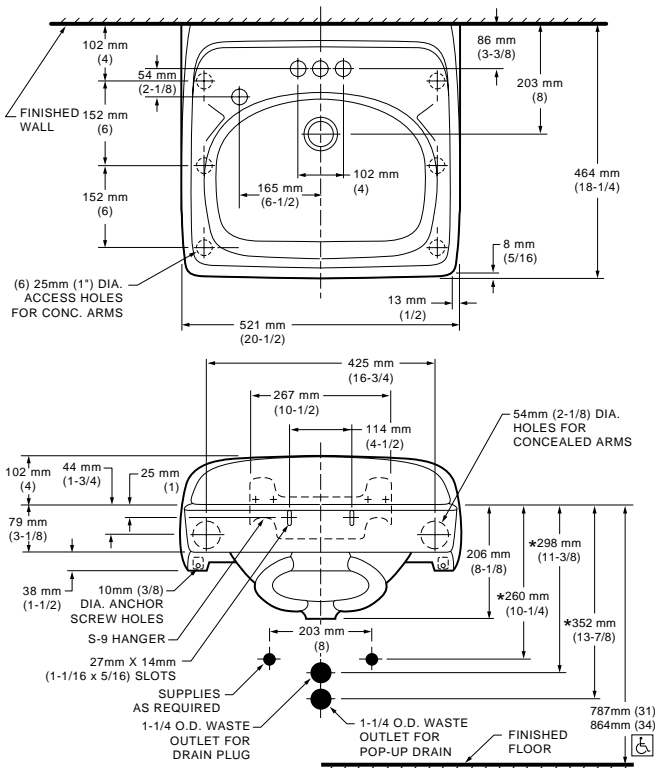
 BARRIER FREE

0355.012 4" CTRS FOR WALL HANGER OR CONCEALED ARMS

0355.034 4" CTRS FOR WALL HANGER OR CONCEALED ARMS
EXTRA RIGHT HAND HOLE



0355.056 4" CTRS FOR WALL HANGER OR CONCEALED ARMS
EXTRA LEFT HAND HOLE



NOTES:

* DIMENSIONS SHOWN FOR LOCATION OF SUPPLIES AND "P" TRAP ARE SUGGESTED.



LAVATORY DESIGNED TO MEET ADA HANDICAPPED GUIDELINES WITH MOUNTING HEIGHT SET AT 864MM (34") ABOVE FINISHED FLOOR.

PROVIDE SUITABLE REINFORCEMENT FOR ALL WALL SUPPORTS.

FITTINGS NOT INCLUDED AND MUST BE ORDERED SEPARATELY.

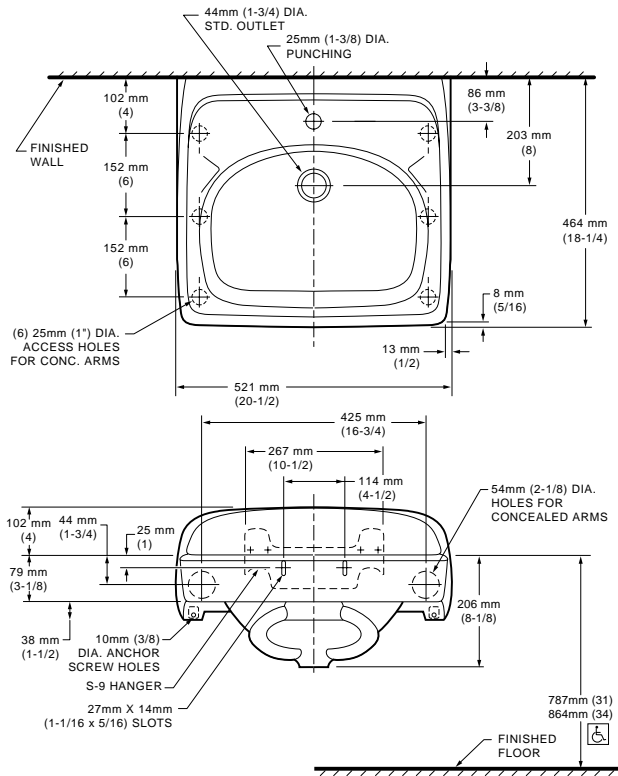
CONCEALED ARM SUPPORT AS REQUIRED TO BE FURNISHED BY OTHERS.

IMPORTANT: Dimensions of fixtures are nominal and may vary within the range of tolerances established by ANSI Standard A112.19.2.

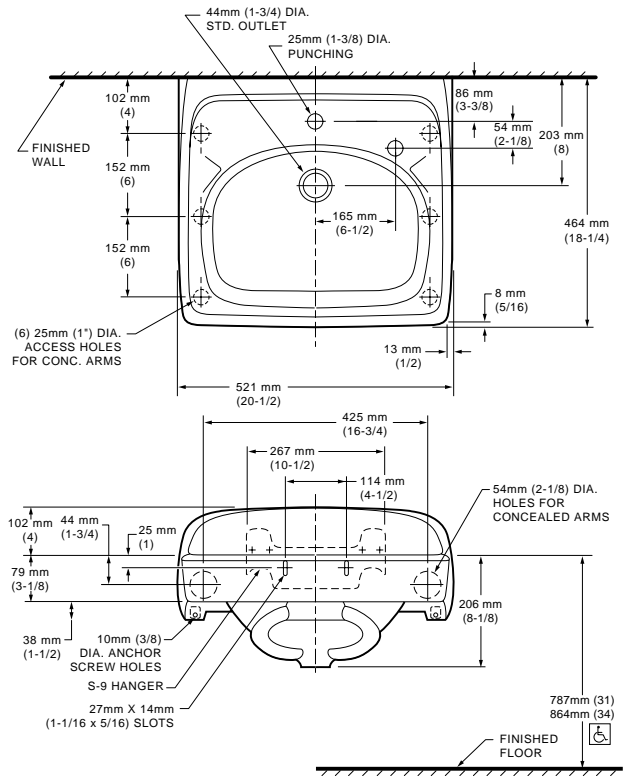
These measurements are subject to change or cancellation. No responsibility is assumed for use of superseded or voided pages.

 BARRIER FREE

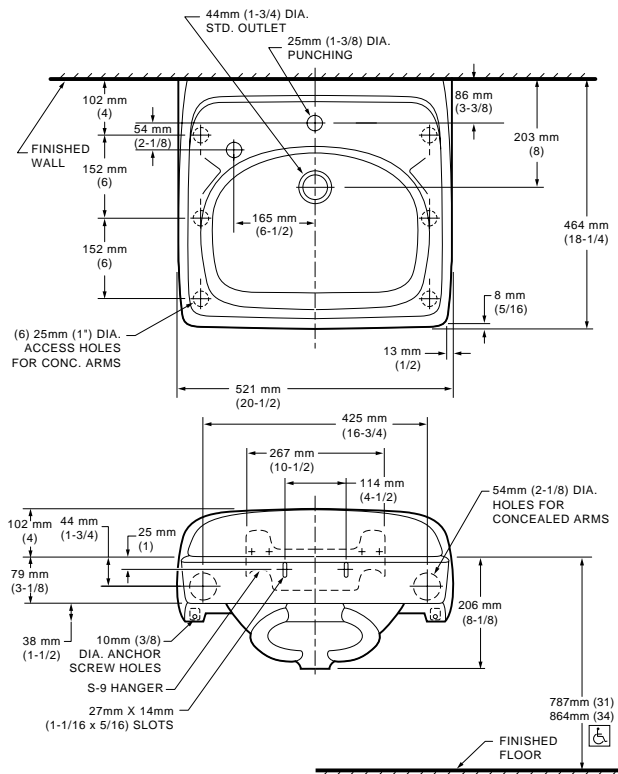
0356.421 SINGLE CENTER HOLE FOR WALL HANGER OR CONCEALED ARMS



0356.137 SINGLE CENTER HOLE FOR WALL HANGER OR CONCEALED ARMS WITH EXTRA RIGHT HAND HOLE



0356.115 SINGLE CENTER HOLE FOR WALL HANGER OR CONCEALED ARMS WITH EXTRA LEFT HAND HOLE



NOTES:

* DIMENSIONS SHOWN FOR LOCATION OF SUPPLIES AND "P" TRAP ARE SUGGESTED.



LAVATORY DESIGNED TO MEET ADA HANDICAPPED GUIDELINES WITH MOUNTING HEIGHT SET AT 864MM (34") ABOVE FINISHED FLOOR.

PROVIDE SUITABLE REINFORCEMENT FOR ALL WALL SUPPORTS. FITTINGS NOT INCLUDED AND MUST BE ORDERED SEPARATELY. CONCEALED ARM SUPPORT AS REQUIRED TO BE FURNISHED BY OTHERS. IMPORTANT: Dimensions of fixtures are nominal and may vary within the range of tolerances established by ANSI Standard A112.19.2.

These measurements are subject to change or cancellation. No responsibility is assumed for use of superseded or voided pages.



LUCERNE WALL-HUNG LAVATORY

- Vitreous china
- Front overflow
- "D" shaped bowl
- Self-draining deck area with contoured back and side splash shields
- Faucet ledge.
Both shown with 1340.000 metering faucet (not included)

Single faucet hole on right:

- 0356.066** for exposed bracket support
- 0356.439** for wall hanger (included) or concealed arms support

Nominal Dimensions:

521 x 464mm (20-1/2" x 18-1/4")

Bowl sizes:

381mm (15") wide,
254mm (10") front to back,
171mm (6-3/4") deep

Compliance Certifications -

Meets or Exceeds the Following Specifications:

- ASME A112.19.2 for Vitreous China Fixtures



To Be Specified

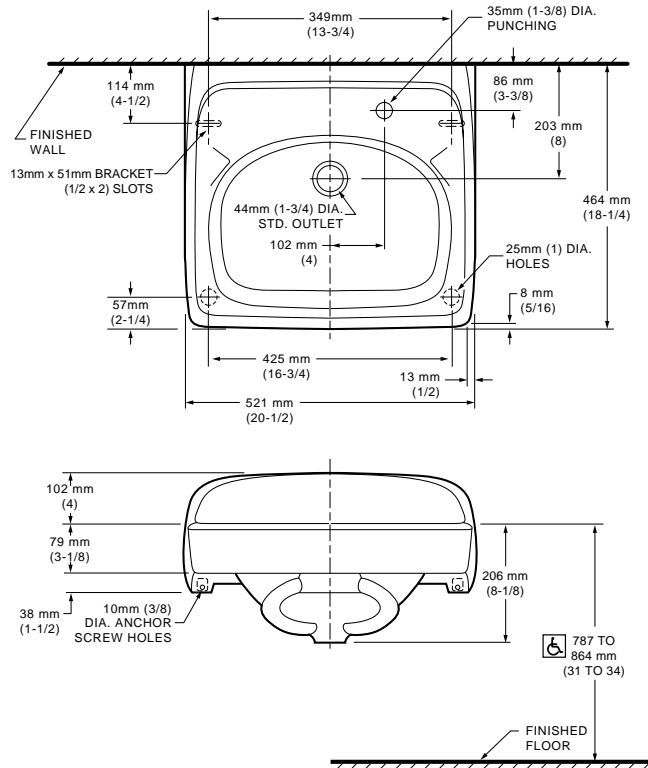
- Faucet*:
- Gooseneck Spout: 7522.055
- Faucet Finish:
- Knee Action Mixer: 7676.029
- Double Pedal Valve: 7679.012 (wall mounted)
- Grid Drain: 2411.015
- Trap:
- Nipple:
- Bracket Support (by others):
- Flex Tempered Supply (by others):
- Concealed Arms Support (by others):

* See faucet section for additional models available
Available in White only

NOTE: Roughing-in information shown on reverse side of page



Top of front rim mounted 864mm (34") from finished floor.
MEETS THE AMERICAN DISABILITIES ACT GUIDELINES AND ANSI A117.1 ACCESSIBLE AND USEABLE BUILDINGS AND FACILITIES - CHECK LOCAL CODES.



Top of front rim mounted 864mm (34") from finished floor.
MEETS THE AMERICAN DISABILITIES ACT GUIDELINES AND ANSI A117.1 ACCESSIBLE AND USEABLE BUILDINGS AND FACILITIES - CHECK LOCAL CODES.

NOTES:

PROVIDE SUITABLE REINFORCEMENT FOR ALL WALL SUPPORTS.
FITTINGS NOT INCLUDED AND MUST BE ORDERED SEPARATELY.
CONCEALED ARMS SUPPORT AND EXPOSED BRACKET SUPPORT AS REQUIRED TO BE FURNISHED BY OTHERS.
IMPORTANT: Dimensions of fixtures are nominal and may vary within the range of tolerances established by ANSI Standard A112.19.2.
These measurements are subject to change or cancellation. No responsibility is assumed for use of superseded or voided pages.