



CADET™ OVAL COUNTERTOP SINK

- European-styled interior bowl
- Available with Scotchgard® finish for easier cleaning
- Made from vitreous china
- Self-rimming with cutout template supplied
- Front overflow

- 0419.444** Faucet holes on 4" (102mm) centers
- 0419.888** Faucet holes on 8" (203mm) centers (illustrated)
- 0419.111** Center hole only
- 0419.444SG** Faucet holes on 4" (102mm) centers (with Scotchgard® finish)
- 0419.888SG** Faucet holes on 8" (203mm) centers (with Scotchgard® finish)



Available with



Nominal Dimensions:

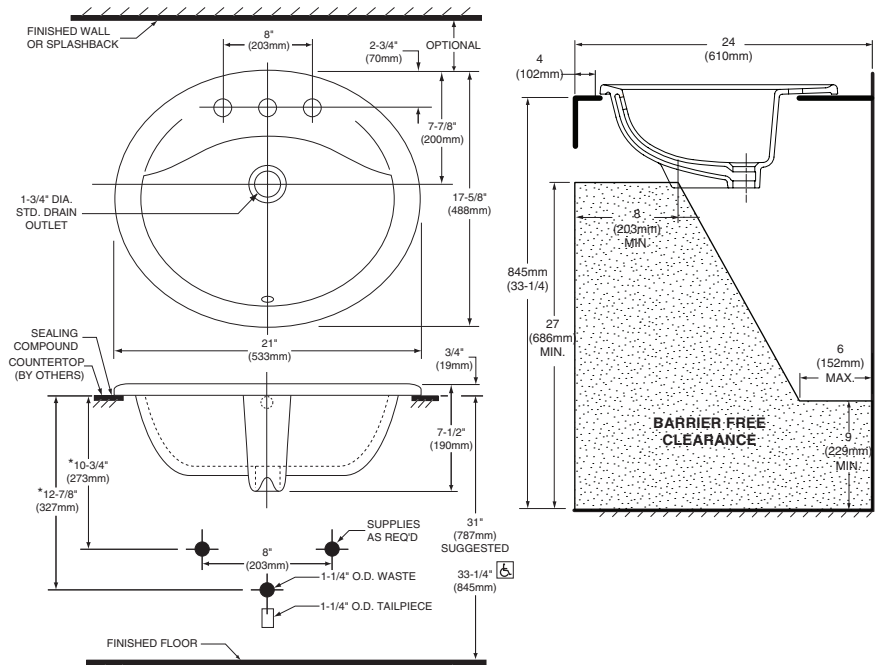
21" x 17-5/8"
(533 x 448mm)

Bowl sizes:

16-1/2" (419mm) wide
11" (279mm) front to back
5-5/8" (143mm) deep

**Compliance Certifications -
Meets or Exceeds the
Following Specifications:**

- ASME A112.19.2M for Vitreous China Fixtures
- CAN/CSA B45 series



To Be Specified:

- Color:
- Faucet*:
- Faucet Finish:
- Supplies:
- 1-1/4" Trap:

* See faucet section for additional models available



MEETS THE AMERICANS WITH DISABILITIES ACT GUIDELINES AND ANSI A117.1 ACCESSIBLE AND USABLE BUILDINGS AND FACILITIES - CHECK LOCAL CODES.

Install lavatory 864mm (34") from finished floor.
Lavatory installed 51mm (2") minimum from front edge of countertop provides 686mm (27") knee clearance area.

NOTES:

* DIMENSIONS SHOWN FOR LOCATION OF SUPPLIES AND "P" TRAP ARE SUGGESTED. FOR COUNTERTOP CUTOUT AND INSTALLATION INSTRUCTIONS USE TEMPLATE SUPPLIED WITH SINK. FITTINGS NOT INCLUDED WITH FIXTURE AND MUST BE ORDERED SEPARATELY. SEALING COMPOUND SUPPLIED BY OTHERS.

IMPORTANT: Dimensions of fixtures are nominal and may vary within the range of tolerances established by ANSI Standard A112.19.2. These measurements are subject to change or cancellation. No responsibility is assumed for use of superseded or voided pages.