



**AMERICAN SPECIALTIES, INC.**

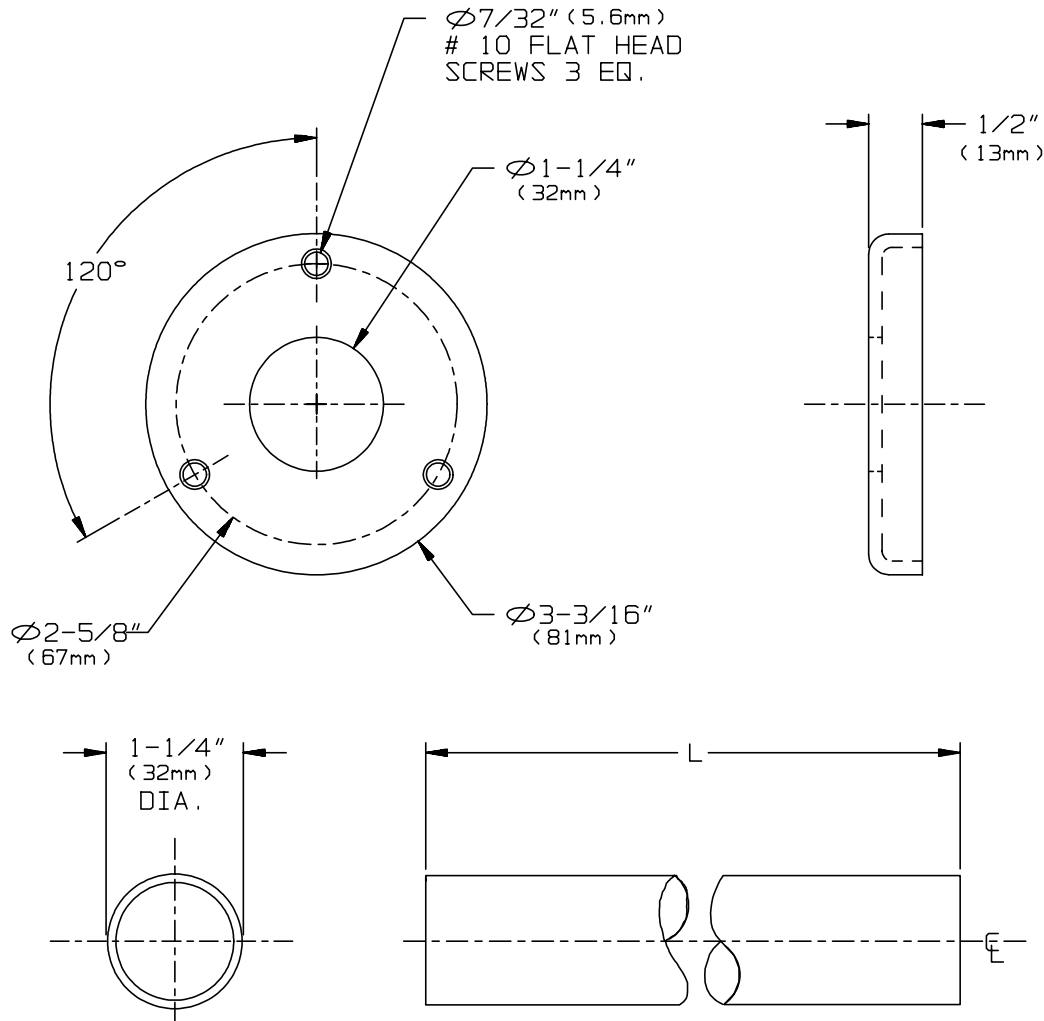
441 Saw Mill River Road, Yonkers, NY 10701 (914) 476-9000

MODEL No: 1204

ISSUED: 1-87

REVISED: 9-04

**EXTRA-HEAVY DUTY SHOWER CURTAIN ROD**



**SPECIFICATION**

Extra-Heavy-Duty Shower Curtain Rod with flanges shall be fabricated of alloy 18-8 stainless steel, type 304. Tubing shall be 18 gauge, 1-1/4" O.D. with a satin finish and shall be protected during shipment with a plastic bag. Length shall be as specified. Flanges shall be fabricated of 20ga. stainless steel with a satin finish. Flanges shall have (3) countersunk 13/64" (5.2mm) dia. holes to accept #10 flat or oval head screws furnished by others.

**Extra-Heavy-Duty Shower Curtain Rod with Exposed Mounting Flanges shall be Model N° 1204- XXX as manufactured by American Specialties, Inc., 441 Saw Mill River Road, Yonkers, New York 10701-4913**

**ORDERING NOTE**

Select length in inches (i.e. 048, 060, 120) to create Part Spec Order Number (i.e. 1204- 060).

**INSTALLATION**

Rod is installed in straight section between two (2) mounting flanges. Rods longer than 72" (1829mm) require ceiling hanger Model N° 1204-C. For use with standard shower curtain model N°'s 1200 or 1200-V having 72" (1829mm) length and standard hooks Model N° 1200-SHU unit should be installed with rod centerline 74-1/2" (1892mm) AFF or 67" (1702mm) above tub rim to obtain 6" (152mm) bottom overlap.

**Accessory Specialties**

**AMERICAN DISPENSER**

**Desert Ray Products**

**WATROUS INC.**