



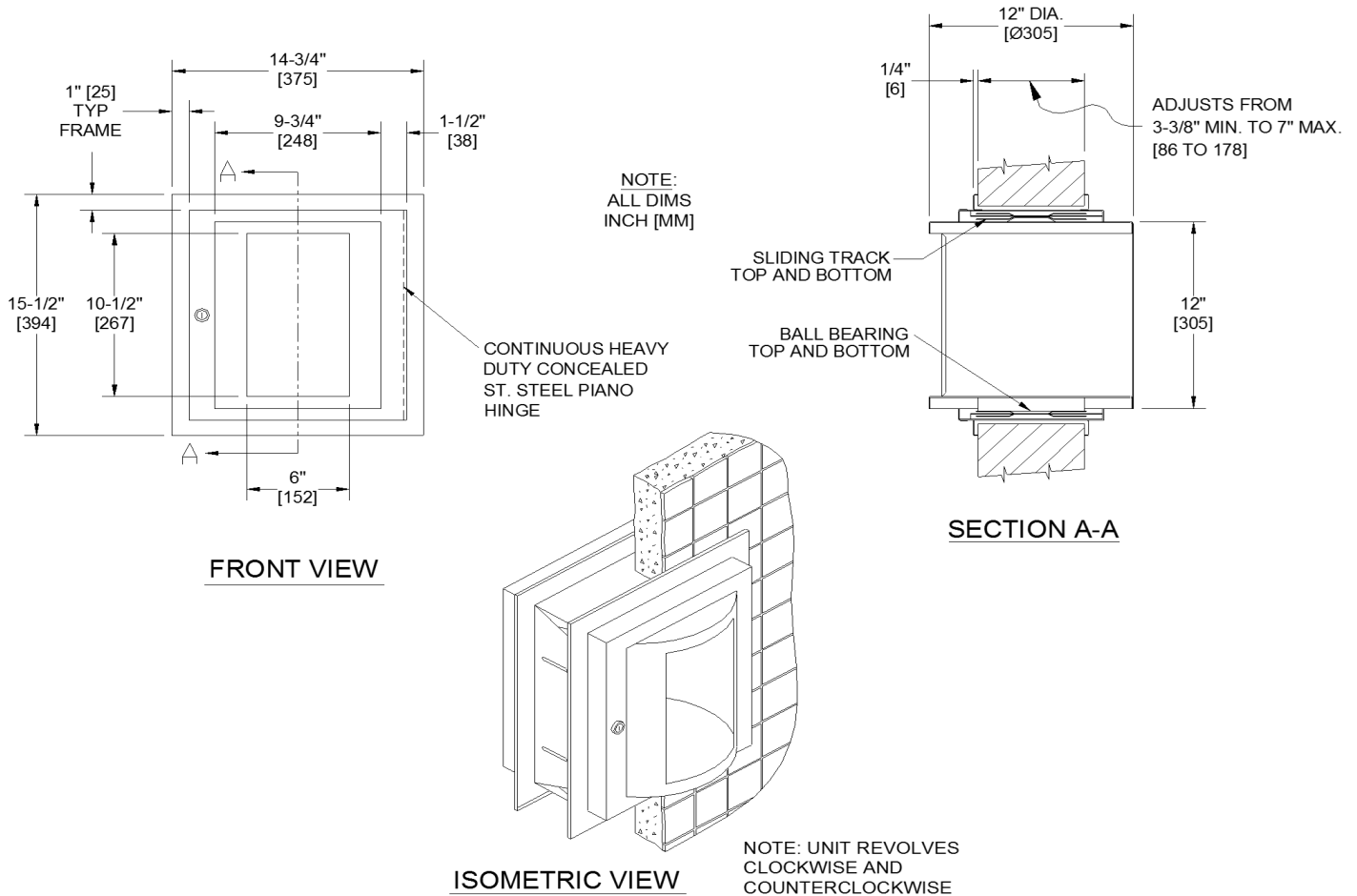
AMERICAN SPECIALTIES, INC.
 441 Saw Mill River Road, Yonkers, NY 10701
 (914) 476.9000 • (914) 476.0688
 www.americanspecialties.com

MODEL №: 0515

ISSUED: 1-87

REVISED: 5 AUG 2015

SPECIMEN TURNTABLE PASS BOX (PAGE 1 OF 2)



SPECIFICATION

Specimen Turntable Pass Box shall receive objects up to 5-7/8" W x 10-7/16" H x 10" D [149 x 265 x 254] and shall rotate 360° between catch stops in either direction. Turntable shall be a fully enclosed compartment with only its 6" x 10-1/2" [152 x 267] pass opening accessible, preventing any line-of-sight through unit to provide user privacy. Pass housing shall be track mounted with ball bearing rotation mechanism at top and bottom. Turntable retaining door shall be hung on side with a 3/16" diameter [Ø4.8] stainless steel multi-staked piano hinge and shall be held closed with a tumbler lock keyed alike to other ASI washroom equipment. Synthetic fiber brush strip is retained by 3-clip holder at inside of top and bottom of door to positively prevent any sight lines through unit and preserve user privacy. Unit shall be alloy 18-8 stainless steel, type 304 (frame shall be 18 gauge; trim shall be 22 gauge) and all exposed surfaces shall have satin finish and be protected during shipment with PVC film easily removable after installation. Trim shall adjust for wall thickness of 3-3/8" [86] minimum to 7" [178] maximum and shall be 1" [25] wide and returning 1/4" [6] to finished wall, made of one-piece construction with no face miters or visible fasteners or welding.

Specimen Turntable Pass Box shall be Model № 0515 of American Specialties, Inc. 441 Saw Mill River Road Yonkers, New York 10701-4913



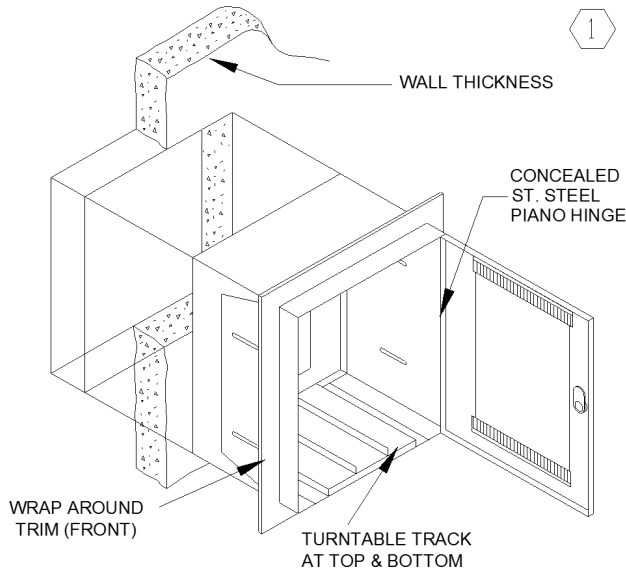
AMERICAN SPECIALTIES, INC.
 441 Saw Mill River Road, Yonkers, NY 10701
 (914) 476.9000 • (914) 476.0688
 www.americanspecialties.com

MODEL №: 0515

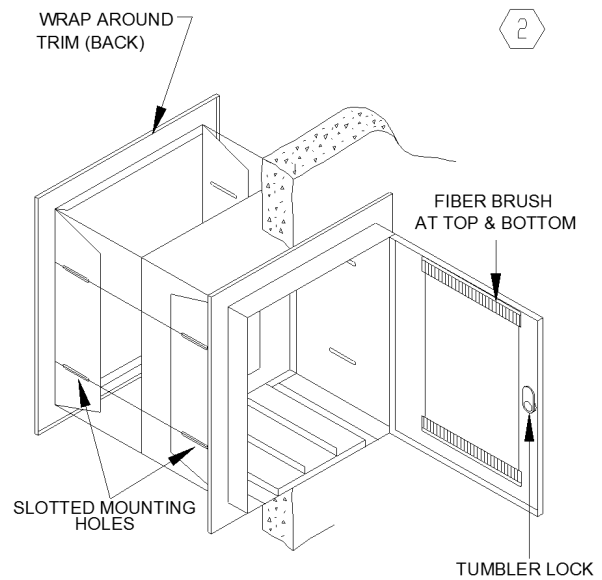
ISSUED: 1-87

REVISED: 5 AUG 2015

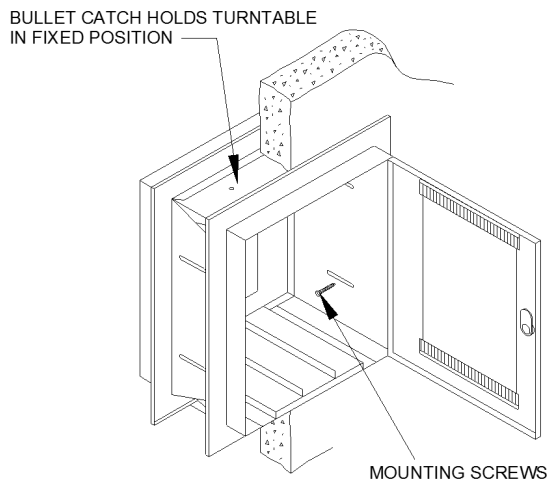
SPECIMEN TURNTABLE PASS BOX (PAGE 2 OF 2)



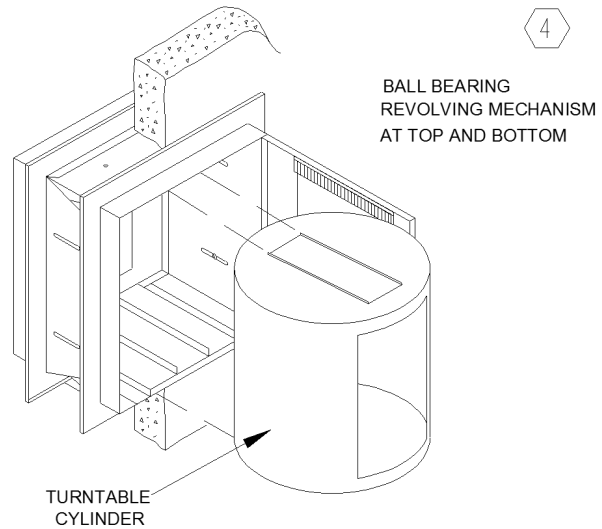
INSERT TURNTABLE BOX INTO WALL OPENING WITH WRAP AROUND TRIM ALREADY ON UNIT



MOUNT AND ADJUST WRAP AROUND BACK TRIM TO WALL THICKNESS



SECURE TO WALL WITH MOUNTING SCREWS THRU SLOTTED HOLES



INSERT CYLINDER INTO CORRESPONDING TRACKS AT TOP & BOTTOM OF BOX. CLOSE & LOCK DOOR.

INSTALLATION

Adjustable trim accommodates wall thickness of 3-3/8" to 7" [86 to 178].

Rough Wall Opening (RWO) required is..... 13-1/4" W x 14" H [337 x 356] x 3-3/8" to 7" wall thickness [86 to 178]

OPERATION

Specimen container is placed inside the turntable cylinder and is then manually rotated clockwise or counterclockwise 180° to present the container to the rear opening for retrieval by technician. Service access to the unit is gained by unlocking and opening the door.