



**BARRIER FREE**

**TRIMBROOK URINAL**

- Vitreous china
- Low-consumption (3.8 Lpf/1.0 gpf)
- Flushing rim
- Siphon jet flush action
- Extended sides for privacy
- 3/4" inlet spud
- Outlet connection threaded 2" inside (NPTF)
- 2 wall hangers
- Fixture only
- Meets ANSI flush requirements at 0.7 to 1.0 GPF

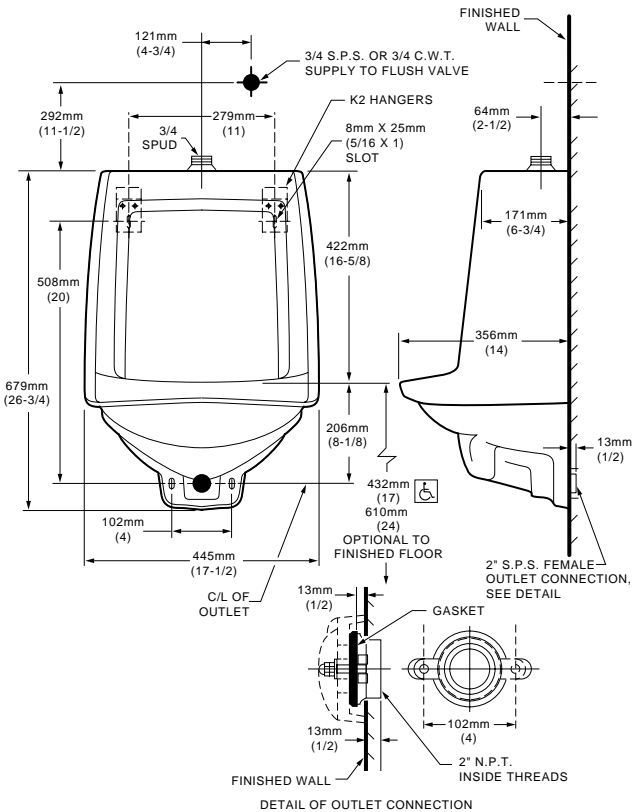
**6561.017 Top spud**

Nominal Dimensions:  
445 x 356 x 679mm  
(17-1/2" x 14" x 26-3/4")

Recommended working pressure - between 20 psi at valve when flushing and 80 psi static.

**Compliance Certifications -  
Meets or Exceeds the Following Specifications:**

- ASME A112.19.2M (and 19.6M) for Vitreous China Fixtures - includes Flush Performance, Ball Pass Diameter, Trap Seal Depth and all Dimensions



**To Be Specified**

- Color:  White  Bone  Silver  Shell  Black
- Flush Valve: Sloan Royal 186-1
- Alternative Flush Valve:



● When installed so top of rim is 432mm (17") from finished floor.  
**MEETS THE AMERICAN DISABILITIES ACT GUIDELINES AND ANSI A117.1 ACCESSIBLE AND USEABLE BUILDINGS AND FACILITIES - CHECK LOCAL CODES.**

**NOTES:**

FLUSH VALVE NOT INCLUDED AND MUST BE ORDERED SEPARATELY. PROVIDE SUITABLE REINFORCEMENT FOR ALL WALL SUPPORTS. IMPORTANT: Dimensions of fixtures are nominal and may vary within the range of tolerances established by ANSI Standard A112.19.2. These measurements are subject to change or cancellation. No responsibility is assumed for use of superseded or voided pages.