



T&S BRASS AND BRONZE WORKS, INC.
 2 Saddleback Cove / P.O. Box 1088
 Travelers Rest, SC 29690



Model No.
B-0108

Item No.

Travelers Rest, SC: 800-476-4136 | San Jose Valley, CA: 800-423-0150 | Fax: 864-834-3518 | www.tsbrass.com

This Space for Architect/Engineer Approval

Job Name _____ Date _____

Model Specified _____ Quantity _____

Customer/Wholesaler _____

Contractor _____

Architect/Engineer _____

EPA Act 2005 COMPLIANT

Non-Slip Ergonomic Santoprene Grip w/ Built-in Heat Dissipation Channels
 Crush-Resistant w/ Delrin Waterways

Extra Washer For Hose Connections

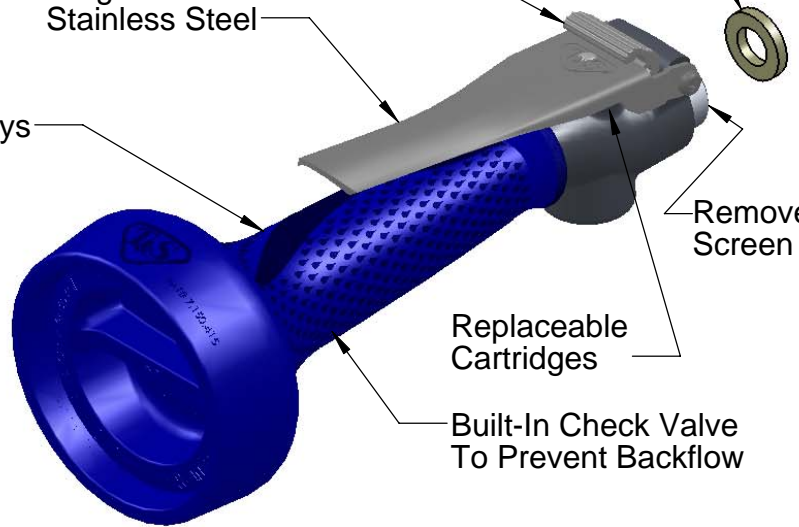
One-Handed Metal Trigger Lock w/ Added Anti-Rotational Feature

Surgical-Grade Polished Stainless Steel

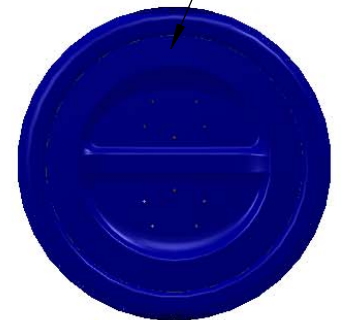
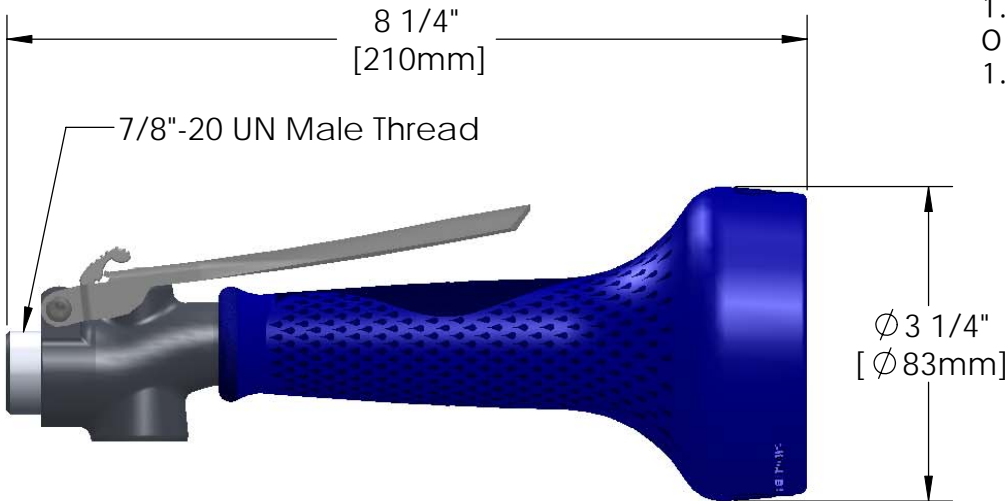
Removeable Screen Filter

Replaceable Cartridges

Built-In Check Valve To Prevent Backflow



1.48 GPM @ 60 PSI
 Optional B-0108-C
 1.2 GPM Available



Product Specifications:
1.48 GPM Spray Valve w/ Ergo-Grip, Replaceable Spray Face, & Integrated One-Handed Trigger Lock

Drawn KJG	Checked DHL	Approved JHB
Scale: 1:2		Date: 01/08/09



T&S BRASS AND BRONZE WORKS, INC.

2 Saddleback Cove / P.O. Box 1088
Travelers Rest, SC 29690



REG. #A2601
ISO #9001

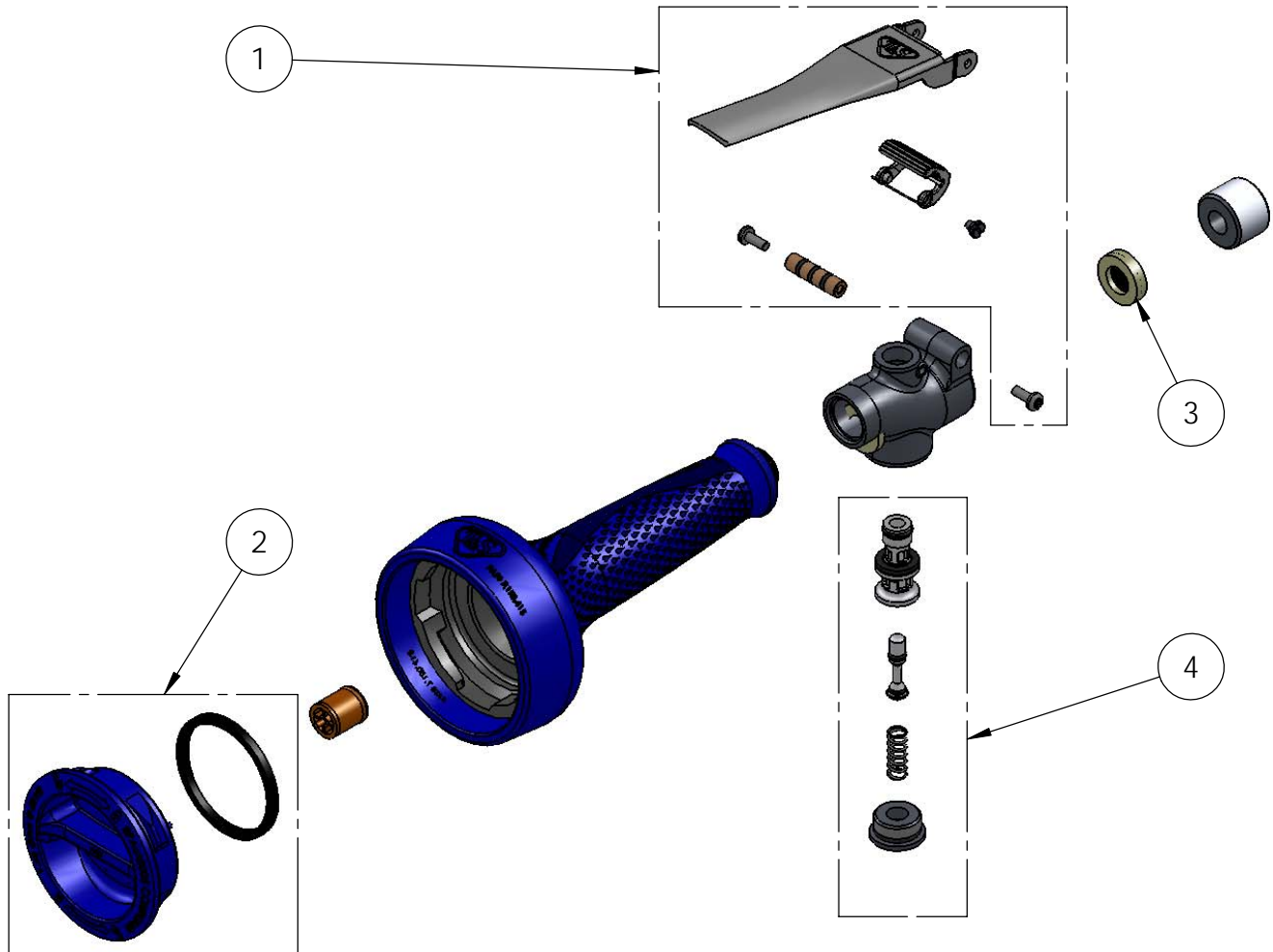
Model No.

B-0108

Item No.

Simi Valley, CA: 800-423-0150 Fax: 864-834-3518 www.tsbrass.com

ITEM NO.	SALES NO.	DESCRIPTION
1	108T-RK	Trigger Repair Kit
2	108ST-RK	Spray Face Repair Kit
3	108S-RK	Inlet Screen/Washer Repair Kit
4	108V-RK	Valve Repair Kit



Note:
Individual Items in Repair Kits
are not Sold Separately

Product Specifications:
**1.48 GPM Spray Valve w/ Ergo-Grip,
Replaceable Spray Face, &
Integrated One-Handed Trigger Lock**

Drawn KJG	Checked DHL	Approved JHB
Scale: NTS		Date: 01/08/09