



# Z5708.234.00

## "Nano Pint®" 1/8 gpf, EcoVantage®, Hardwired, Ultra Low Consumption, Urinal System

TAG \_\_\_\_\_



### Z5708.234.00 Series

- Zurn One ultra low consumption urinal system designed for optimal performance between Zurn fixture and Zurn flush valve to save water while exceeding industry performance standards
- 1/8 gallons per flush [0.5 Liters per flush]
- Vitreous china
- High efficiency washout flushing action
- Over 88% water savings over standard 1.0 gpf [4.0 Lpf] system
- Hardwired sensor operated actuation
- Designed to retrofit 4 bolt pattern urinals with no work behind the finished wall required on most applications
- 3/4" top spud
- 2" I.P.S. outlet flange and rubber gasket with integral trap
- 14" extended rim for handicap compliance when installed at proper height
- Vandal resistant outlet strainer included
- Shipping Weight: 28 lbs.

### ENGINEERING SPECIFICATION:

**Z5708.234.00 EcoVantage® Hardwired High Efficiency Urinal (HEU) System** - System comes complete with exposed ZEMS6003AV-ULF-IS high efficiency flushometer valve with hardwired, sensor operated actuation and vitreous china urinal. The system is designed to perform to industry standards with as little as 1/8th gallon per flush, and retrofit 4 bolt pattern urinals with no work behind the finished wall required in most situations. The valve is an exposed, quiet diaphragm-type, chrome plated flushometer valve with a polished exterior. Complete with Zurn's AquaVantage®TPE, chloramine resistant, dual seal diaphragm with a clog-resistant & filtered by-pass. The valve incorporates a motorized actuator, an integral infrared convergence type proximity sensor and a manual push-button override into an all metal, polished chrome plated housing. Sensor range automatically adjusts to its environment at power up and is powered by a 7.6 VDC power converter. Each power converter can accommodate up to eight flush valves. Complete with high pressure vacuum breaker, one piece hex coupling nut, adjustable tailpiece, spud coupling and flange for top spud connection. Control stop has internal siphon-guard protection, vandal resistant stop cap, sweat solder kit, and a cast wall flange with set screw. Vitreous china urinal is supplied with 3/4" top spud, 2" outlet connection, vandal resistant outlet strainer and retrofit hanger bracket.



### Z5708.234.00 SERIES

#### Accessories (Order separate as specified)

- P6000-PC6** Plug-in Power Converter  
(Up to 8 valves)
- P6000-MJ** Mini Junction Box
- P6000-HW6** Hardwire Power Converter  
(Up to 8 valves)



This product should be used with a WaterSense labeled counterpart with a compatible flush volume to ensure that the entire system meets the requirements for water efficiency and performance.

*These dimensions and specifications are subject to change without notice.*

*Fixture dimensions meet ANSI/ASME standards A112.19.2 and CAN/CSA B45 requirements.*

*Meets the American Disabilities Guidelines and ANSI A117.1 requirements when urinal is installed 17" [432 mm] from finished floor.*



**This space is for Architectural/engineering Approval**

ZURN INDUSTRIES, LLC. ♦ COMMERCIAL BRASS OPERATION ♦ 5900 ELWIN BUCHANAN DRIVE ♦ SANFORD NC 27330

Phone: 1-800-997-3876 ♦ Fax: 919-775-3541 ♦ World Wide Web: www.zurn.com

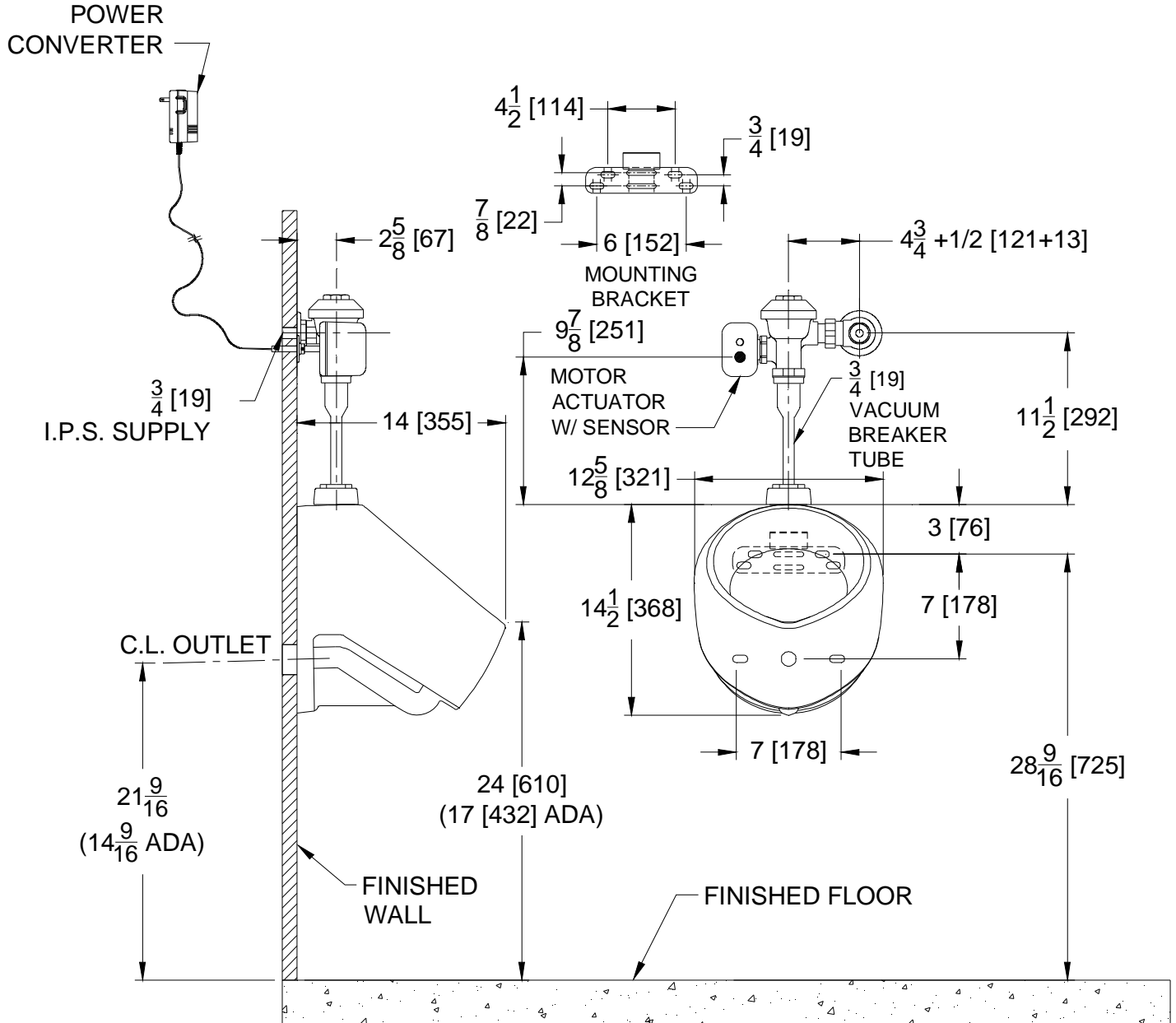
In Canada: ZURN INDUSTRIES LIMITED ♦ 7900 Goreway Drive Unit 10 ♦ Brampton, Ontario L6T5W6 ♦ Phone: 905-405-8272 Fax: 905-405-1292



# Z5708.234.00

## "Nano Pint"® 1/8 gpf, EcoVantage®, Hardwired, Ultra Low Consumption, Urinal System Rough-In TAG

Rough-in dimensions for Z5708.234.00 Series  
\*Z5708 with top spud



These dimensions and specifications are subject to change without notice.

Fixture dimensions meet ANSI/ASME standard A112.19.2 and CAN/CSA B45 requirements.

Meets the American Disabilities Guidelines and ANSI A117.1 requirements when urinal is installed 17" [432 mm] from finished floor.



ZURN INDUSTRIES, LLC. ♦ COMMERCIAL BRASS OPERATION ♦ 5900 ELWIN BUCHANAN DRIVE ♦ SANFORD NC 27330

Phone: 1-800-997-3876 ♦ Fax: 919-775-3541 ♦ World Wide Web: [www.zurn.com](http://www.zurn.com)

In Canada: ZURN INDUSTRIES LIMITED ♦ 7900 Goreway Drive Unit 10 ♦ Brampton, Ontario L6T5W6 ♦ Phone: 905-405-8272 Fax: 905-405-1292