

## Safety Precautions

Please read the following information carefully before using this product to ensure safety



HANDLE WITH CARE.



TO AVOID INJURY DO NOT LEAN AGAINST LID WHEN BEING USED.



AVOID EXPOSURE TO DIRECT SUNLIGHT FOR EXTENDED PERIODS OF TIME.



ENSURE WASTE TANK IS CLEANED REGULARLY.



AVOID HIGH TEMPERATURES OVER 122°F.

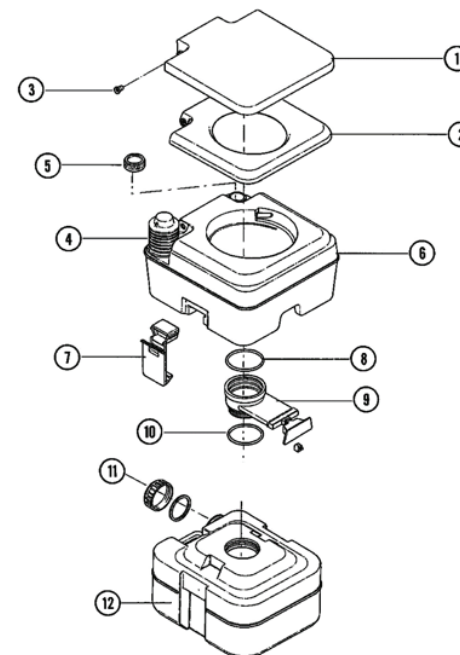


SUITABLE FOR USE WITH ANY BRAND OF PORTABLE TOILET CHEMICALS AND DEODORIZERS.

## Product Overview

### Parts Identification

1. Seat Cover
2. Seat
3. Hinge Pin
4. Bellows Pump Assembly
5. Cap for Fresh Water Tank
6. Fresh Water Tank
7. Latch Assembly
8. Sealed C-Ring
9. Slide Valve Assembly
10. Sealed D-Ring
11. Cap for Waste Tank
12. Waste Tank



## General Operation

1. Close Slide Valve by pushing in fully.
2. Depress Bellows Pump to add water to the bowl.
3. After use, pull Slide Valve handle out.
4. Depress Bellows Pump again to rinse the bowl.
5. Close Slide Valve by pushing in fully.

## Emptying the Holding Tank

1. Slide valve handle all the way in.
2. Unlatch upper unit (side latches) and lift from holding tank.
3. Carry holding tank to permanent toilet facility.
4. Remove cap.
5. Empty contents into toilet.
6. Rinse tank thoroughly.
7. Replace cap.
8. Reassemble unit and prepare for use.

## Cleaning and Maintenance

1. Lubricate Slide Valve seals periodically with silicone spray or white grease lubricant.
2. The Slide Valve may be removed for cleaning or inspection by simply unscrewing in a counterclockwise direction.
3. Clean exterior of toilet with a mild, non-abrasive bathroom cleaner.

## Storage

1. Empty the top tank and waste holding tank.
  2. Make sure all water is cleared from the bellows pump by depressing pump several times.
  3. Stored away from direct sunlight.
- Note:** A small amount of water may remain in the top tank but will be harmless during storage.

## Specifications

Dimensions:	16.5 x 14.6 x 16.9 in.
Fresh Water Tank:	3.16 gal. / 12.13 lbs.
Waste Water Tank:	5.3 gal. / 12.13 lbs.

## Features

- High-density polyethylene construction.
- Completely self-contained.
- No external connections required.
- Secure clamps and latches.
- All parts easily replaced.
- 5.3 gallon waste holding tank.
- 2.6 gallon fresh water tank.
- Easy to carry and clean.
- Well-constructed adult-sized seat and lid.
- Always flushes with clean water, no re-circulating water.
- Completely self-contained. No external water or power connections.
- Fresh water capacity provides up to 50 flushes.
- Attractive matt finish conceals marks, and allows scrubbing without damage.
- Double sealed drain valve protects against leakage and odor.
- Heavy duty, corrosion-resistant side latches lock tanks together.
- Easy to empty detached waste holding tank.
- Single-piece construction (both tanks) with no leaking seams.
- Selectable bracket to increase height.

HCCHH1020



CUSTOMER SERVICE:  
[info@supportcbp.com](mailto:info@supportcbp.com)  
 1-833-855-1816

This product is covered by a limited one-year warranty.  
 \* Please see warranty information on our website at  
[www.hikecrew.com](http://www.hikecrew.com).

This product is covered by a limited one-year warranty. Coverage is subject to limits and exclusions.  
 \* See warranty for details.

Please read all directions before using the product and retain this guide for reference. This product is intended for household use only.

Thank you for purchasing the Hike Crew™ Portable Camping Toilet. This User Guide is intended to provide you with guidelines to ensure that operation of this product is safe and does not pose risk to the user. Any use that does not conform to the guidelines described in this User Guide may void the limited warranty.



**PORTABLE**  
 CAMPING TOILET  
 USER GUIDE