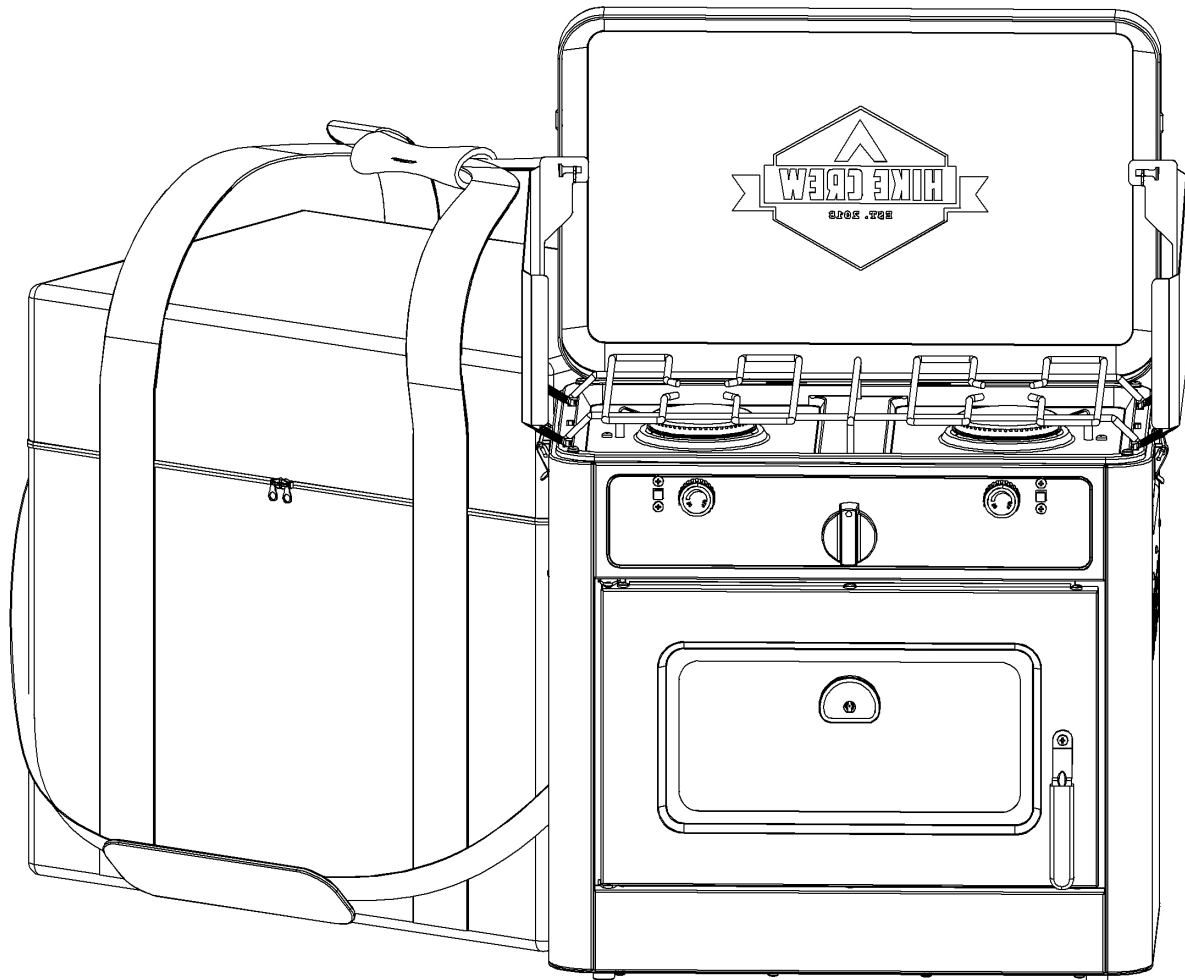




# CAMPING OVEN WITH CARRYING BAG

USER GUIDE  
HC210BWS



Thank you for purchasing the **Hike Crew Camping Oven with Carrying Bag**. This User Guide is intended to provide you with guidelines to ensure that operation of this product is safe and does not pose risk to the user. Any use that does not conform to the guidelines described in this User Guide may void the limited warranty.

**Please read all directions before using the product and retain this guide for reference.**

This product is intended for domestic use only. It is not intended for commercial use.

This product is covered by a limited one-year warranty. Coverage is subject to limits and exclusions. See warranty for details.

## **GENERAL SAFETY INFORMATION**

### **Gas Installation Information**

- Appliances must be used in accordance with installation requirements of your gas supply authority.
- This appliance uses gas cylinders labelled "propane gas."

### **Clearances**

Minimum distance from combustible materials must be:

- Rear: 40" (101cm)
- Sides: 40" (101cm)
- Above: 40" (101cm)

### **Hose & Regulator Safety**

- The regulator and hose assembly supplied with the appliance are suitable for propane gas only.
- A gas regulator adjusted to have an outlet pressure of 0.4 psi (2.75 kPa) is supplied in order to connect to propane gas cylinder. The pressure regulator and hose assembly supplied with the appliance must be used. Replacements for pressure regulators and hose assemblies must be specified by the appliance manufacturer.
- When connecting the regulator and hose assembly to the gas cylinder, do not bend or twist the flexible hose.
- After the assembly has been secured, turn on the gas and check for leaks by rubbing a bar of soap and water over all connections. If bubbles appear, you will need to tighten the connection before testing again.
- If you are unable to fix the leak by tightening the connections, turn off the gas and contact the supplier immediately.
- Always ensure the appliance and gas cylinder is kept away from flammable materials and other heat sources.

## Gas Cylinder Safety

- This appliance should only be used with propane gas cylinders. Do not use other types of gas cylinders on this appliance.
- Gas cylinders should be stored outdoors in a well ventilated area.
- Only use recommended hose assembly to connect the unit to the gas cylinder. Do not use adapters.
- Turn the gas cylinder valve off, wait for the flame to go out, and then turn off control knobs on the appliance after operation.
- Disconnect the cylinder first, in order to store the appliance indoors.

## Hourly Gas Consumption

Gas Type	No. of Burners	Injector Size (Inches)	Total Gas Consumption (BTU/hr)	Gas Pressure (Psi)
Propane	Oven — 1	0.02"	3800 BTU/hr	0.4 psi
	Stove — 2	0.03"	2 x 8000 BTU/hr	

## SAFETY PRECAUTIONS

***WARNING! Please read and understand all safety precautions, operating instructions, and maintenance instructions before operating this appliance. Failure to properly follow the guidelines established here could result in severe injury, fire or even death. Keep this manual for future reference.***

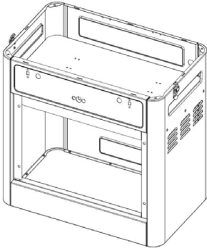
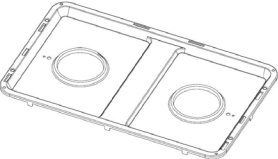
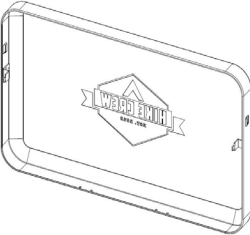
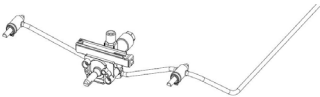
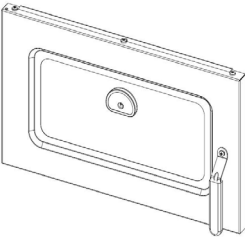
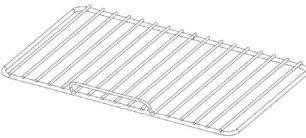
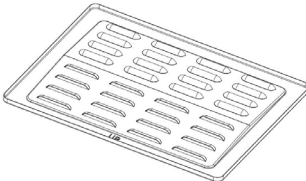
- **Use the unit outdoors only.**
- Turn off gas supply at the gas cylinder after use.
- Never operate this appliance without a regulator.
- Do not modify this appliance.
- Make sure gas hose is not near or touching the appliance.
- Use in well ventilated areas.
- Keep appliance away from children. Never let children operate the unit.
- Always use protective gloves when handling hot components.
- If you smell gas, shut off the appliance immediately.
- **Carbon Monoxide Hazard:** This camping oven can produce carbon monoxide that is odorless, colorless and can cause death in a matter of minutes. Do not use camping oven in enclosed spaces.
- Do not use appliance if it is damaged or has a leak.
- Make sure seals are secure and in good condition before operating this appliance.
- The surface of the appliance will be hot when in operation. Handle with care.
- Ensure the appliance is placed on a flat, level surface. Do not move it when in use.
- Never test for gas leaks with a match or open flame.
- Do not perform any physical activities near appliance.

- Do not leave unit unattended when it is in use.
- Do not place or store any clothing or other miscellaneous items on top of or against this device.
- Do not place or store chemicals, aerosol sprays, or other flammable items near this device.
- Do not operate this appliance in a boat, trailer, or tent.
- Do not attempt to operate this device if any panels, covers, or safeguards have not been properly installed.
- Never store the appliance while propane gas cylinder is still connected.
- Make sure all packaging is completely removed and properly disposed of prior to first using this device.
- Always be sure to disconnect gas cylinder and store it safely in an area that is well-ventilated and free from exposure to direct sunlight, heat, and any ignition sources (pilot lights, matches, lanterns, etc.). If you choose to store the propane gas cylinders indoors, make sure that the location complies with any local regulations and standards pertaining to indoor propane gas storage.
- This appliance should only ever be repaired or serviced by an authorized serviceperson. Do not attempt to repair this unit on your own.
- Do not attempt to fit other types or sizes of gas containers or tanks to this device, as this could prove hazardous.
- Only use this appliance in well-ventilated areas. It should only be operated in an above-ground, open-air situation where there is natural ventilation, no stagnant areas, and where gas leakage and/or products of combustion will be promptly diffused by wind and natural convection.
- Never attempt to pick up or move the appliance while it is in operation. Always extinguish the burner, allow the device to cool down, disengage the gas cylinder, and then move it.
- You must use this appliance with the approved gas regulator that came with it. Do not use a different gas regulator or any kind of adapter.

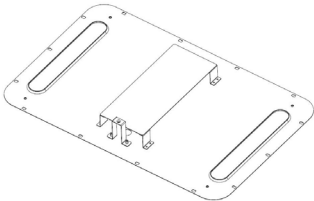
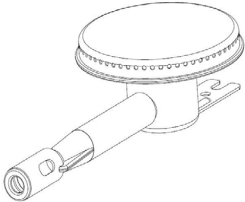
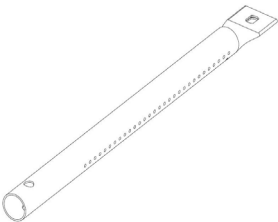
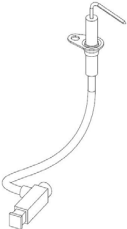
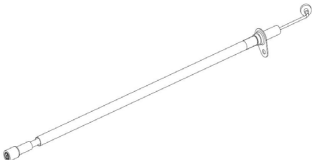
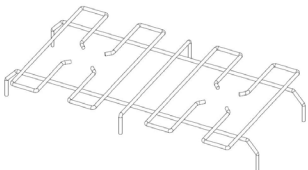
## **PACKAGE CONTENTS**

- Camping oven
- Carrying bag
- User guide
- Regulator and hose assembly

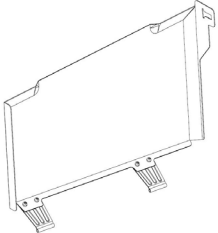
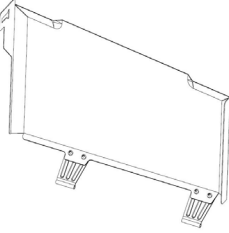
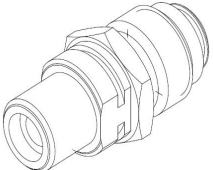
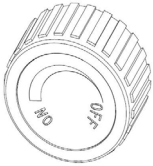
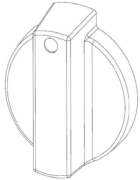
# PARTS OVERVIEW

	Name	Part
1	Body Assembly	
2	Drip Tray	
3	Lid	
4	Gas Pipe	
5	Door Assembly	
6	Grill	
7	Isolation Plate	

# PARTS OVERVIEW

	<b>Name</b>	<b>Part</b>
8	Bottom Plate Assembly	 A rectangular metal plate with two long, narrow slots on the left and right sides. In the center, there is a raised rectangular section with a small protrusion on its top surface.
9	Cooking Burner	 A cylindrical burner with a circular top surface featuring a grid of small holes. A long, tapered nozzle extends from the side of the burner.
10	Grill Burner	 A long, thin cylindrical burner with a series of small holes along its length. One end is slightly wider and has a small tab.
11	Cooking Piezo Igniter Assembly	 A piezo igniter assembly consisting of a curved metal rod with a small piezo element at one end and a spark tip at the other. A cable is attached to the piezo element.
12	Grill Piezo Igniter Assembly	 A long, thin metal rod with a piezo element at one end and a spark tip at the other. A cable is attached to the piezo element.
13	Cooking Grate	 A metal cooking grate consisting of a series of parallel bars supported by a frame.

# PARTS OVERVIEW

	Name	Part
14	Left Windshield	 A line drawing of a rectangular windshield component with mounting tabs on the left and right sides and a small protrusion at the bottom center.
15	Right Windshield	 A line drawing of a rectangular windshield component, similar to the left one but with mounting tabs on the right and left sides and a small protrusion at the bottom center.
16	Connector	 A line drawing of a cylindrical connector with a flared end and a smaller diameter section.
17	Stove Control Knob	 A line drawing of a circular stove control knob with a textured surface and the word "OFF" visible on its side.
18	Oven Control Knob	 A line drawing of an oven control knob with a vertical slot and a curved handle on the right side.

## SAFE USE LOCATIONS

NOTE: This unit should only be operated in an above-ground, open-air situation where there is natural ventilation, no stagnant areas, and where gas leakage and/or products of combustion will be promptly diffused by wind and natural convection.

Any enclosure in which you are using this device should comply with one of the following types of safe use locations. Do not use it in any area that does not comply with any of the following safe use locations listed below:

1. An enclosure with walls on all sides, but no roof/overhead covering.
2. A partial enclosure that includes a roof/overhead covering, but has no more than two (2) walls.
3. A partial enclosure with a roof/overhead covering, more than two (2) walls, but meets one of the following conditions:
  - a. At least 25% of the total wall area is completely open and ventilated.
  - b. At least 30% or more of the remaining wall side, back, and front areas are completely open and unrestricted.
  - c. If using on a balcony or patio, at least 20% or more of the total wall area must remain open and unrestricted.

During operation, always make sure that all air inlets and exhaust vents are kept unobstructed and fully open.

## ASSEMBLY SETUP

1. Make sure the gas cylinder is filled and burner controls are turned off.
2. Ensure gas cylinder valve is in the OFF position. Then, check for any damages to the cylinder connector or hose.
3. Place gas cylinder on a secure and stable surface.
4. Remove the protective cap from gas cylinder valve.
5. Tighten the nut securely by hand or wrench when connecting the regulator and hose to the gas cylinder.

## STARTUP

### Ignition System Check

With the gas cylinder valve in the OFF position, push and hold control knob in the HIGH position. You should hear a spark sound. If there are no sparks, check that the ignition lead is firmly attached to the control and spark tip.

### Lighting the Oven

**Important: Oven door must be open when lighting the burner.**

1. Remove pots, pans, and other appliances from oven before lighting.



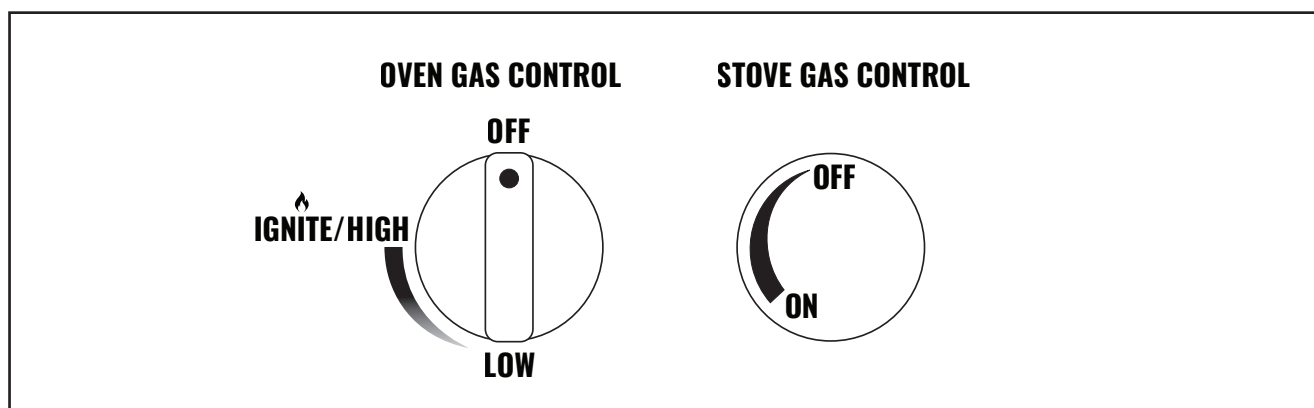
**2. Open the oven door and keep it open while lighting the burner. (Do not attempt to light oven with oven door closed.)**

3. Turn the gas cylinder valve to the ON position. Then, push and turn the oven control knob to the IGNITE/HIGH position, the piezo igniter will make a spark sound.
4. Once burner is lit, continue to hold down control knob for ten (10) seconds before releasing it.
5. If the burner fails to light, turn the knob to the OFF position and try again.

*NOTE: Preheat oven before cooking food. Let oven preheat for 15 minutes before use.*

### **Lighting the Stove**

1. Turn gas cylinder valve to the ON position.
2. Turn the stove control knob a half (1/2) counter-clockwise and press the piezo igniter button a few times.
3. If the burner fails to light after several attempts, then you can use a long barbecue match to light the stove instead.



## **CARE & MAINTENANCE**

Spiders and small insects may have found their way into the burner tubes of the appliance. Insects' nests and webs can obstruct gas flow which can result in a fire in the burner tubes. Inspect and clean the burner tubes thoroughly before starting up your appliance.

If for some reason the unit is not working and can't be fixed correctly, please do not use unit until it is serviced and repaired by an authorized person.

The openings at the base of burner provide air for combustion and should never be obstructed. If the flame becomes significantly orange-colored (rather than blue), check these openings for a blockage.

*NOTE: Burner tubes should be checked and cleaned periodically.*

## SPECIFICATIONS

- Dimensions (Lid Open): 20.1" x 14.4" x 27.8" (510 x 365 x 705 mm)
- Dimensions (Lid Closed): 19.3" x 13.4" x 17.9" (490 x 340 x 455 mm)
- Weight: 27.6 lbs. (12.5 kg)
- Max. Gas Cylinder Weight: 20 lbs. (9.1 kg)
- Gas Pressure: 0.4 psi
- Oven Burner Power: 3800 BTU/hr
- Stove Burner Power: 2 x 8000 BTU/hr

## TROUBLESHOOTING

<b>Problem</b>	<b>Possible Reason</b>	<b>Solution</b>
Burner will not ignite.	Valve on gas cylinder is closed.	Open valve on gas cylinder.
	Control knobs are in the OFF position.	-Turn oven control knob to the HIGH position when lighting. -Turn the stove control knob a quarter (1/4) counter-clockwise to the ON position.
	Igniter is faulty.	Use a long barbecue match.
Food is not cooking or is taking too long.	Burner has gone out.	Check that the gas cylinder is not empty and re-ignite the burner.
	Cooking surface was not given enough time to warm up before the food was applied.	Remove the food and give the burner about 15 minutes to warm the cooking surface.
	There is too much food on the cooking surface.	Cook smaller portions.

# WARRANTY INFORMATION

## LIMITED WARRANTY ON HIKE CREW CAMPING OVEN WITH CARRYING BAG

**THIS LIMITED WARRANTY GIVES YOU SPECIFIC LEGAL RIGHTS AND YOU MAY ALSO HAVE OTHER RIGHTS, WHICH VARY FROM STATE TO STATE. WE WARRANT THAT DURING THE WARRANTY PERIOD, THE PRODUCT WILL BE FREE FROM DEFECTS IN MATERIALS AND WORKMANSHIP.**

## LIMITATION OF LIABILITY

**TO THE EXTENT NOT PROHIBITED BY LAW, THIS WARRANTY IS EXCLUSIVE AND IN LIEU OF ALL OTHER WARRANTIES, ORAL, WRITTEN, STATUTORY, EXPRESS OR IMPLIED. EXCEPT FOR THE EXPRESS WARRANTIES CONTAINED IN THIS LIMITED WARRANTY STATEMENT AND TO THE EXTENT NOT PROHIBITED BY LAW, WE DISCLAIM ALL OTHER WARRANTIES, EXPRESSED OR IMPLIED, STATUTORY OR OTHERWISE, INCLUDING WITHOUT LIMITATION, THE WARRANTIES OF MERCHANTABILITY AND FITNESS FOR A PARTICULAR PURPOSE. SOME STATES DO NOT ALLOW DISCLAIMERS OF IMPLIED WARRANTIES, SO THIS DISCLAIMER MAY NOT APPLY TO YOU. TO THE EXTENT SUCH WARRANTIES CANNOT BE DISCLAIMED UNDER THE LAWS OF YOUR JURISDICTION, WE LIMIT THE DURATION AND REMEDIES OF SUCH WARRANTIES TO THE DURATION OF THIS EXPRESS LIMITED WARRANTY. OUR RESPONSIBILITY FOR DEFECTIVE GOODS IS LIMITED TO REPAIR, REPLACEMENT OR REFUND AS DESCRIBED BELOW IN THIS WARRANTY STATEMENT.**

**WHO MAY USE THIS WARRANTY?** C&A Marketing, Inc. located at 114 Tived Lane East, Edison, NJ (“we”) extend this limited warranty only to the consumer who originally purchased the product (“you”). It does not extend to any subsequent owner or other transferee of the product.

**WHAT DOES THIS WARRANTY COVER?** This limited warranty covers defects in materials and workmanship of the Hike Crew Camping Oven with Carrying Bag (the “product”) for the Warranty Period as defined below.

**WHAT DOES THIS WARRANTY NOT COVER?** This limited warranty does not cover any damage due to: (a) transportation; (b) storage; (c) improper use; (d) failure to follow the product instructions or to perform any preventive maintenance; (e) modifications; (f) unauthorized repair; (g) normal wear and tear; or (h) external causes such as accidents, abuse, or other actions or events beyond our reasonable control.

**WHAT IS THE PERIOD OF COVERAGE?** This limited warranty starts on the date of your purchase and lasts for one year (the “Warranty Period”). The Warranty Period is not extended if we repair or replace the product. We may change the availability of this limited warranty at our discretion, but any changes will not be retroactive.

**WHAT ARE YOUR REMEDIES UNDER THIS WARRANTY?** With respect to any defective product during the Warranty Period, we will, at our sole discretion, either: (a) repair or replace such product (or the defective part) free of charge or (b) refund the purchase price of such product if an exchange unit

**HOW DO YOU OBTAIN WARRANTY SERVICE?** To obtain warranty service, you must contact us at 1-833-855-1816 or by email at [info@supportcbp.com](mailto:info@supportcbp.com) during the Warranty Period to obtain a Defective Merchandise Authorization ("**DMA**") number. No warranty service will be provided without a DMA number and return shipping costs to our facilities shall be assumed by you, the purchaser. Shipping costs of the replacement unit to you shall be assumed by us.

## **GET IN TOUCH!**

[info@supportcbp.com](mailto:info@supportcbp.com)  
1-833-855-1816

HIKE CREW is a trademark of C&A IP Holdings LLC in the US, Canada, China, and the EU.

All other products, brand names, company names, and logos are trademarks of their respective owners, used merely to identify their respective products, and are not meant to connote any sponsorship, endorsement, or approval.

Distributed by C&A Marketing, Inc., 114 Tived Lane East, Edison, NJ 08837. Made in China.

© 2021. C&A IP Holdings LLC. All Rights Reserved.