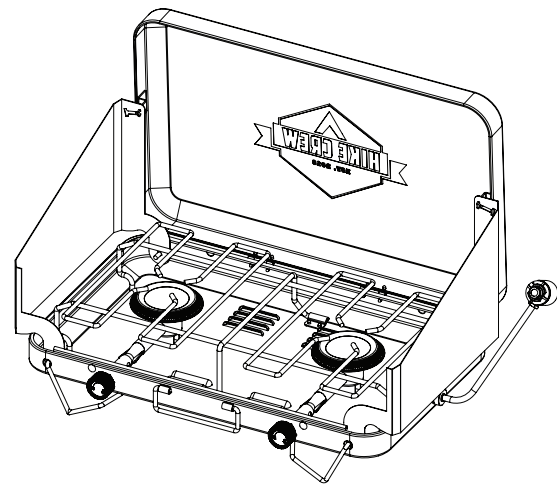




DUAL BURNER STOVE

USER GUIDE

HC210BT



Thank you for purchasing the Hike Crew Dual Burner Stove. This User Guide is intended to provide you with guidelines to ensure that operation of this product is safe and does not pose risk to the user. Any use that does not conform to the guidelines described in this User Guide may void the limited warranty.

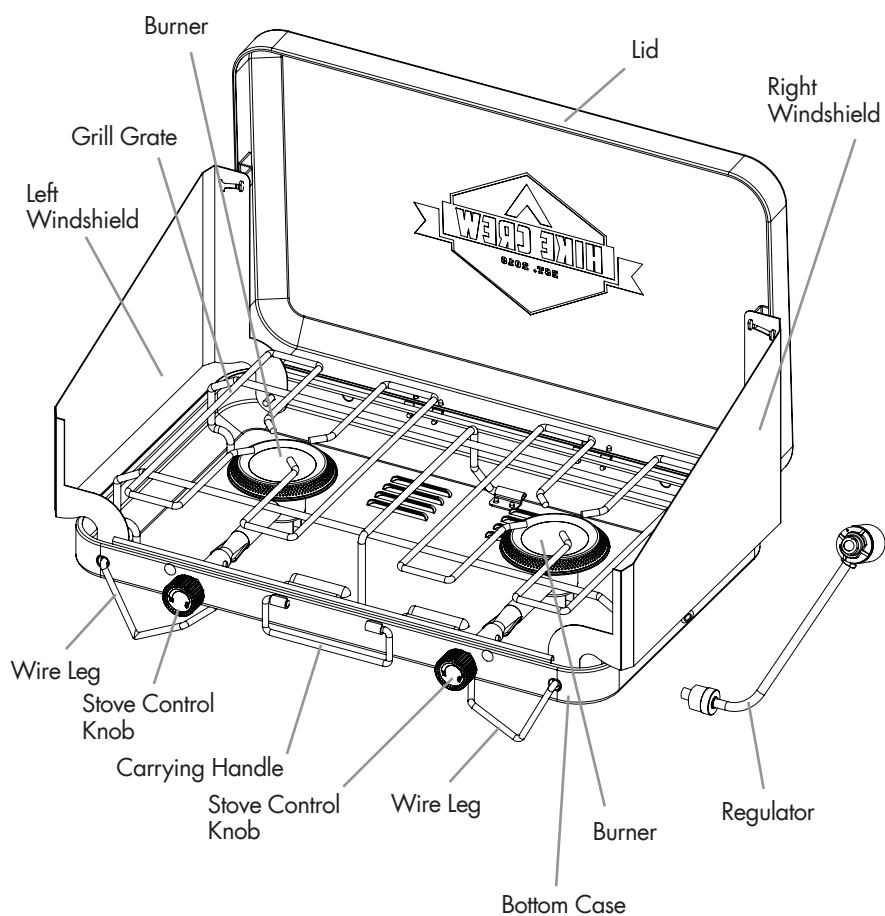
Please read all directions before using the product and retain this guide for reference. This product is intended for household use only. It is not intended for commercial use.

This product is covered by a limited one-year warranty. Coverage is subject to limits and exclusions. See warranty for details.

PACKAGE CONTENTS

- Dual burner stove
- User guide

PARTS OVERVIEW



GENERAL SAFETY INFORMATION

- Use only 1 lb. (0.45 kg) propane gas cylinders marked USDOT-39 or TC CAN/CSA B339.
- Use propane gas only.
- Use only the regulator included with your stove. Do not attempt to alter regulator.
- Do not use or attempt to use the stove as a heater.
- Stop operating stove if:
 - Flames repeatedly go out.
 - Combustion becomes unstable.
 - Lighting cannot be performed easily.
 - The temperature drops below -10°F.
 - No fuel remains in the gas cylinder.
- **Caution: Let the stove cool off for 15 minutes when finished with it.**

SAFETY PRECAUTIONS

WARNING! Please read and understand all safety precautions, assembly instructions, and care/maintenance instructions before operating this appliance. Failure to properly follow the guidelines established here could result in severe injury, fire or even death. Keep this manual for future reference.

- Use the unit outdoors only.
- Turn off gas supply at the gas cylinder after use.
- Never operate this appliance without a regulator.
- Do not modify this appliance.
- Make sure gas hose is not near or touching the appliance.
- Use in well-ventilated areas.
- Keep appliance away from children. Never let children operate the unit.
- Always use protective gloves when handling hot components.
- If you smell gas, shut off the appliance immediately.
- **Carbon Monoxide Hazard:** This camping oven can produce carbon monoxide that is odorless, colorless, and can cause death in a matter of minutes. Do not use camping oven in enclosed space.
- Do not use appliance if it is damaged or has a leak.
- Make sure seals are secure and in good condition before operating this appliance.

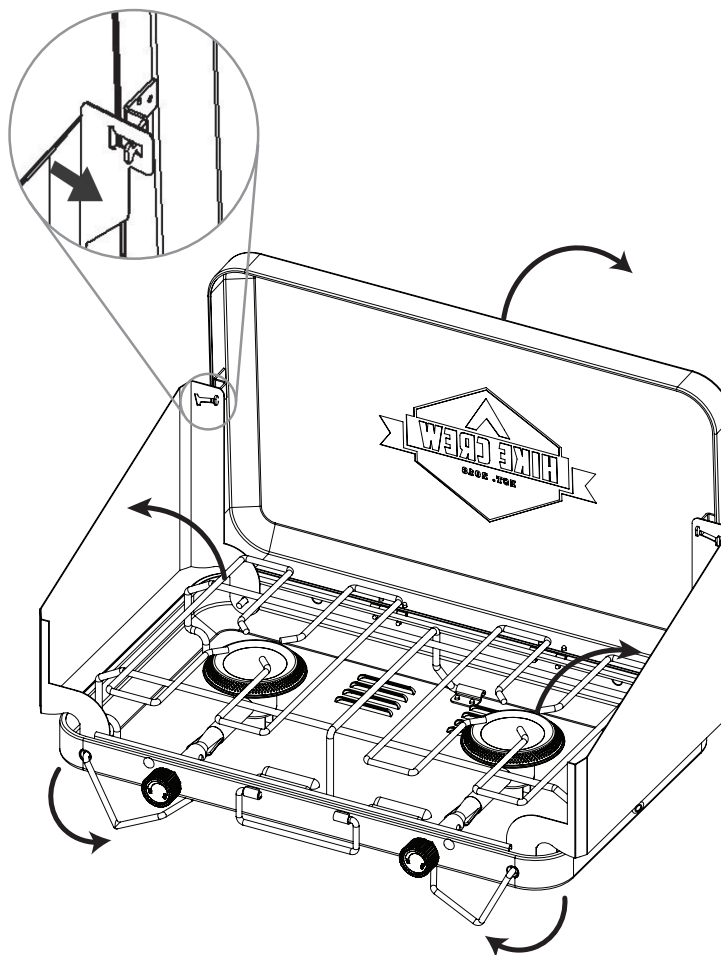
- The surface of the appliance will be hot when in operation. Handle with care.
- Ensure the appliance is placed on a flat, level surface. Do not move it when in use.
- Never test for gas leaks with a match or open flame.
- Do not perform any physical activities near appliance.
- Do not leave unit unattended when it is in use.
- Do not place or store any clothing or other miscellaneous items on top of or against this device.
- Do not place or store chemicals, aerosol sprays, or other flammable items near this device.
- Do not operate this appliance in a boat, trailer, or tent.
- Do not attempt to operate this device if any panels, covers, or safeguards have not been properly installed.
- Ensure that the appliance is 40" or more away from any combustible materials.
- Never store the appliance while propane gas cylinder is still connected.
- Make sure all packaging is completely removed and properly disposed of prior to first using this device.
- Always be sure to disconnect gas cylinder and store it safely in an area that is well-ventilated and free from exposure to direct sunlight, heat, and any ignition sources (pilot lights, matches, lanterns, etc.). If you choose to store the propane gas cylinders indoors, make sure that the location complies with any local regulations and standards pertaining to indoor propane gas storage.
- If the appliance can't be adjusted to function properly, then it should not be used until it is serviced or repaired.
- This appliance should only ever be repaired or serviced by an authorized serviceperson. Do not attempt to repair this unit on your own.
- Do not attempt to fit other types or sizes of gas containers or tanks to this device, as this could prove hazardous.
- Only use this appliance in well-ventilated areas. It should only be operated in an above-ground, open-air situation where there is natural ventilation, no stagnant areas, and where gas leakage and/or products of combustion will be promptly diffused by wind and natural convection.
- Never attempt to pick up or move the appliance while it is in operation. Always extinguish the burner, allow the device to cool down, disengage the gas cylinder, and then move it.
- You must use this appliance with the approved gas regulator that came with it. Do not use a different gas regulator or any kind of adapter.

1

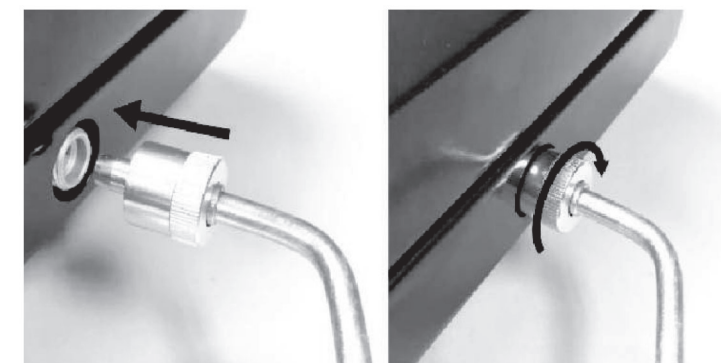
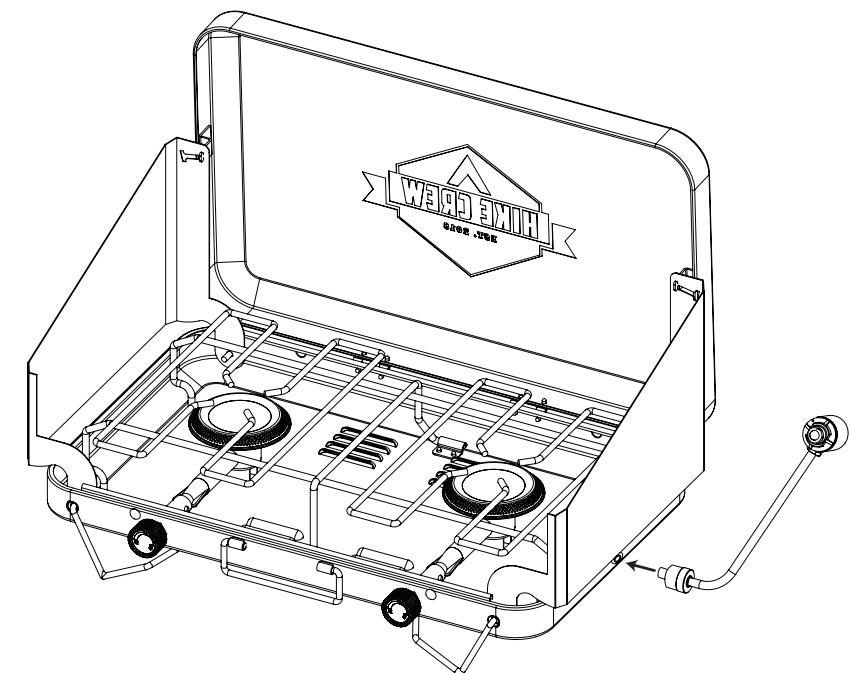
2

ASSEMBLY INSTRUCTIONS

1. Remove the appliance from the packaging and place the stove on a hard, flat surface.
 - Unfold wire legs down under the appliance.
 - Open the lid upward to a vertical position.
 - Unfold the windshields so they are in a vertical position.
 - Connect the clips on the lid to the slots on the windshields.



2. Lift the grill grate and remove the regulator from its storage.
 - Check the O-rings for any damage before connecting the regulator.
 - Connect the regulator to the stove by inserting the end of the regulator into the inlet connector on the side of the stove. Tighten the attached nut on the regulator securely.

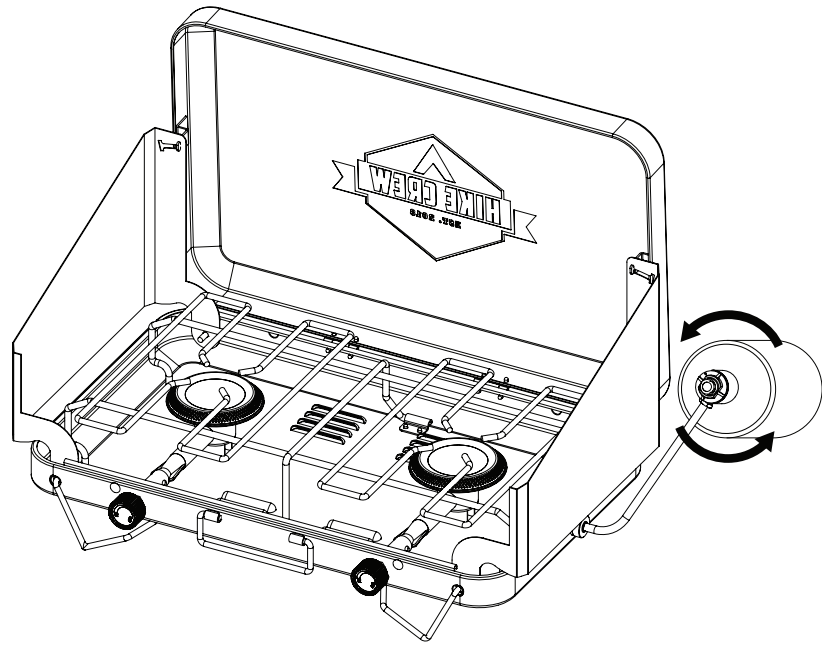


3

4

5

3. Check that the stove control knobs are in the OFF position. Connect the gas cylinder to the regulator and hand tighten firmly.

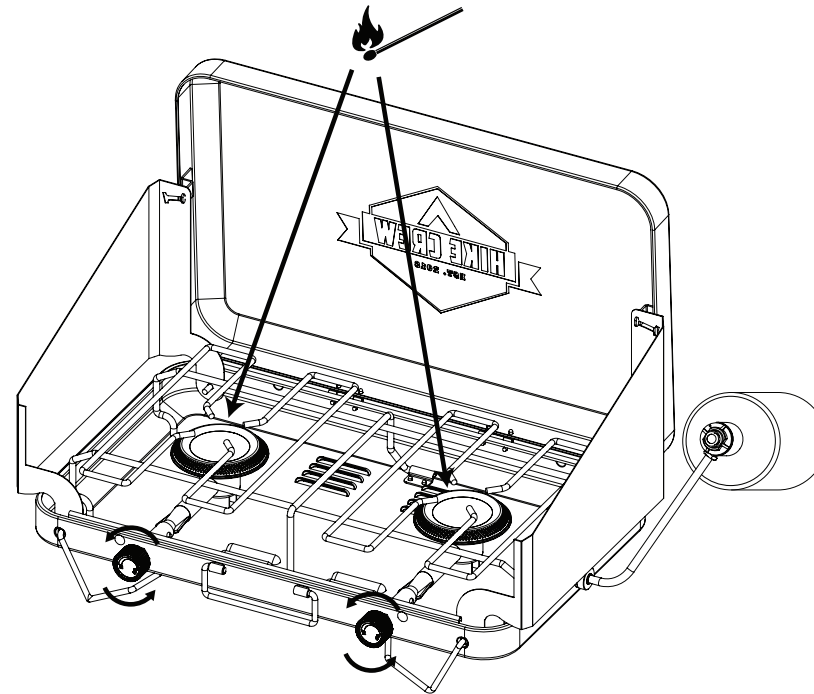


6

STARTUP

Lighting the Burner

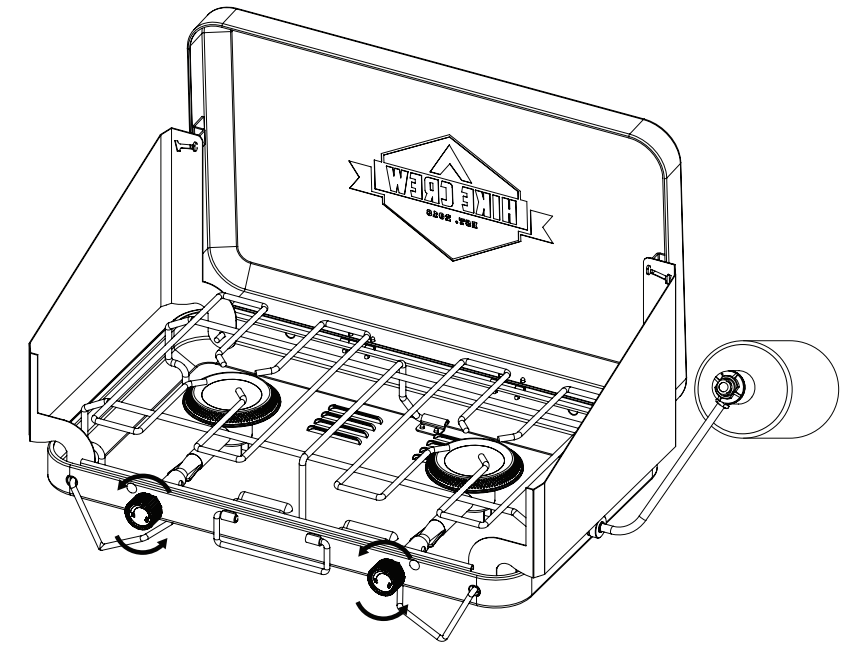
1. Select the burner to be ignited. Turn the stove control knob almost fully counter-clockwise to start the flow of gas.
2. Hold a flame source such as a long match to the burner to ignite it. Make sure to keep your body away from the appliance when lighting.
WARNING: Do not use a cigarette lighter, short match, or any flame source that would cause you to bring your hand or other body part close to the burner.
3. If the burner does not ignite, then turn the stove control knob off, wait ten (10) seconds, and repeat the first two steps.



7

4. Once the burner is ignited, use the stove control knob to increase or decrease flame intensity.

NOTE: Each burner can be operated independently. Both burners do not need to be ignited at the same time.



8

CARE/MAINTENANCE INSTRUCTIONS

Maintaining the Stove

- Clean the body of your appliance using a cotton cloth soaked in soapy hot water.
- Never use abrasive or flammable cleaning products.
- Use a soft brush to clean the burners.
- Before moving or storing unit, allow the stove 15 minutes to cool after use.
- Any cleaning agent used on the appliance should be non-combustible and non-corrosive.

Storing the Stove

When the appliance is not in use, store it in a suitable area that is protected from deterioration. Keep it stored in a well-ventilated area. Ensure that the stove is closed, the stove control knobs are in the OFF position, and the gas cylinder is disconnected before storing the stove.

Checking for Gas Leaks

After the assembly has been secured, turn on the gas and check for leaks by rubbing a bar of soap and water over all connections. If bubbles appear, you will need to tighten the connection before testing again. If uncertain that leak is fixed, unscrew the connection and contact an authorized serviceperson.

SPECIFICATIONS

Dimensions (Closed lid): 18.3" x 12.6" x 3.7" (465 x 320 x 95 mm)

Dimensions (Open lid): 19.7" x 14" x 14.6" (500 x 355 x 370 mm)

Weight: 8.6 lbs. (3.9 kg)

Burner Power: 2 x 10,000 BTU/hr

9

WARRANTY INFORMATION

LIMITED WARRANTY ON HIKE CREW DUAL BURNER STOVE

THIS LIMITED WARRANTY GIVES YOU SPECIFIC LEGAL RIGHTS AND YOU MAY ALSO HAVE OTHER RIGHTS, WHICH VARY FROM STATE TO STATE.

WE WARRANT THAT DURING THE WARRANTY PERIOD, THE PRODUCT WILL BE FREE FROM DEFECTS IN MATERIALS AND WORKMANSHIP.

LIMITATION OF LIABILITY

TO THE EXTENT NOT PROHIBITED BY LAW, THIS WARRANTY IS EXCLUSIVE AND IN LIEU OF ALL OTHER WARRANTIES, ORAL, WRITTEN, STATUTORY, EXPRESS OR IMPLIED. EXCEPT FOR THE EXPRESS WARRANTIES CONTAINED IN THIS LIMITED WARRANTY STATEMENT AND TO THE EXTENT NOT PROHIBITED BY LAW, WE DISCLAIM ALL OTHER WARRANTIES, EXPRESSED OR IMPLIED, STATUTORY OR OTHERWISE, INCLUDING WITHOUT LIMITATION, THE WARRANTIES OF MERCHANTABILITY AND FITNESS FOR A PARTICULAR PURPOSE. SOME STATES DO NOT ALLOW DISCLAIMERS OF IMPLIED WARRANTIES, SO THIS DISCLAIMER MAY NOT APPLY TO YOU. TO THE EXTENT SUCH WARRANTIES CANNOT BE DISCLAIMED UNDER THE LAWS OF YOUR JURISDICTION, WE LIMIT THE DURATION AND REMEDIES OF SUCH WARRANTIES TO THE DURATION OF THIS EXPRESS LIMITED WARRANTY.

OUR RESPONSIBILITY FOR DEFECTIVE GOODS IS LIMITED TO REPAIR, REPLACEMENT OR REFUND AS DESCRIBED BELOW IN THIS WARRANTY STATEMENT.

WHO MAY USE THIS WARRANTY? C&A Marketing, Inc. located at 114 Tived Lane East, Edison, NJ ("we") extend this limited warranty only to the consumer who originally purchased the product ("you"). It does not extend to any subsequent owner or other transferee of the product.

WHAT DOES THIS WARRANTY COVER? This limited warranty covers defects in materials and workmanship of the Hike Crew Dual Burner Stove (the "product") for the Warranty Period as defined below.

WHAT DOES THIS WARRANTY NOT COVER? This limited warranty does not cover any damage due to: (a) transportation; (b) storage; (c) improper use; (d) failure to follow the product instructions or to perform any preventive maintenance; (e) modifications; (f) unauthorized repair; (g) normal wear and tear; or (h) external causes such as accidents, abuse, or other actions or events beyond our reasonable control.

WHAT IS THE PERIOD OF COVERAGE? This limited warranty starts on the date of your purchase and lasts for one year (the "Warranty Period"). The Warranty Period is not extended if we repair or replace the product. We may change the availability of this limited warranty at our discretion, but any changes will not be retroactive.

WHAT ARE YOUR REMEDIES UNDER THIS WARRANTY? With respect to any defective product during the Warranty Period, we will, at our sole discretion, either: (a) repair or replace such product (or the defective part) free of charge or (b) refund the purchase price of such product if an exchange unit cannot be provided.

HOW DO YOU OBTAIN WARRANTY SERVICE? To obtain warranty service, you must contact us at 1-833-855-1816 or by email at info@supportcbp.com during the Warranty Period to obtain a Defective Merchandise Authorization ("DMA") number. No warranty service will be provided without a DMA number and return shipping costs to our facilities shall be assumed by you, the purchaser. Shipping costs of the replacement unit to you shall be assumed by us.

10

GET IN TOUCH!

info@supportcbp.com

1-833-855-1816

Hike Crew is a trademark of C&A IP Holdings LLC, in the U.S.
All other products, brand names, company names, and logos are trademarks of their respective owners, used merely to identify their respective products, and are not meant to connote any sponsorship, endorsement, or approval.

Distributed by C&A Marketing, Inc., 114 Tived Lane East, Edison, NJ 08837

Made in China

© 2021. C&A IP Holdings LLC. All Rights Reserved.

11