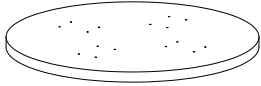

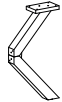







Table Parts & Hardware

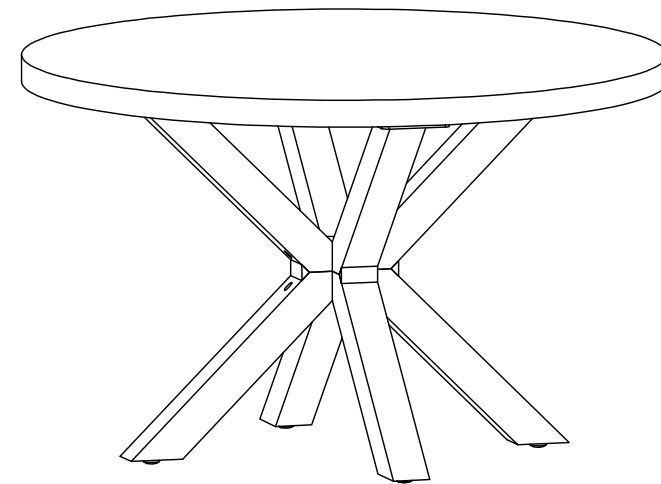
A		x 1 PC
B		x 1 PC
C		x 2 PC
D		x 16 PC
E		x 4 PC
F		x 4 PC
G		x 1 PC
H		x 1 PC

Garden Trading®

Burford Round Dining Table Assembly Instructions

Please read through these instructions and ensure they are kept for future reference.
All parts and hardware are listed on the back of this guide.

**WHEN ASSEMBLING THIS PRODUCT PLEASE PLACE PARTS
ON A SOFT SURFACE TO AVOID DAMAGE OR SCRATCHES.**



Care Instructions

Polystone is made from natural materials so colour variances may occur.

It is important that spills are quickly cleaned to avoid staining.

To clean, wipe with a soft damp cloth.

Do not place hot or cold items directly on the surface, always use a placemat.

Suitable for indoor and outdoor use.

We recommend storing your furniture indoors or undercover during the winter months.

Do not use power tools to assemble.

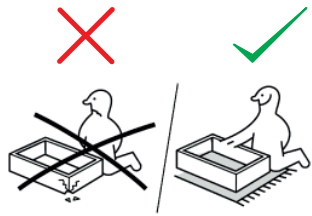
Two person assembly advised.

Garden Trading®

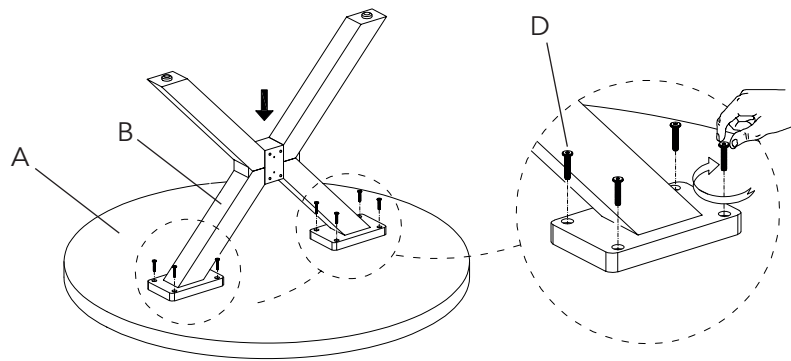
gardentrading.co.uk

customerservices@gardentrading.co.uk

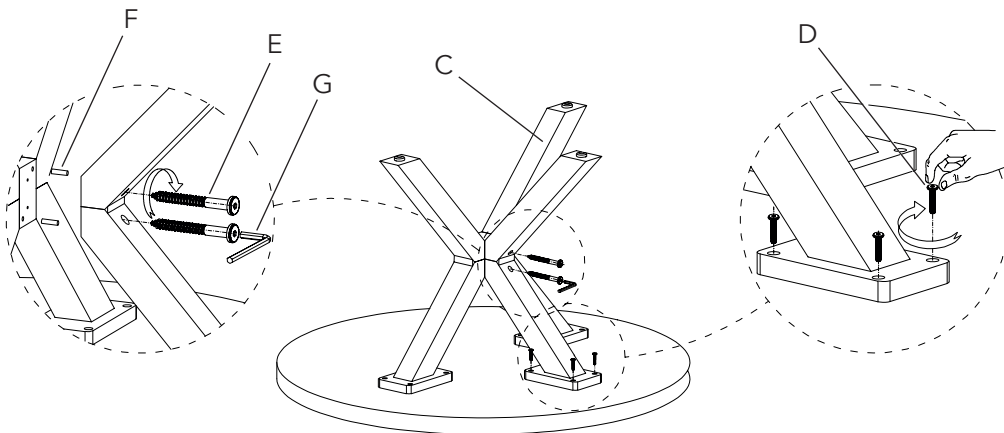
TGTC, Hargreaves Road, Groundwell Industrial Estate, Swindon, SN25 5AZ



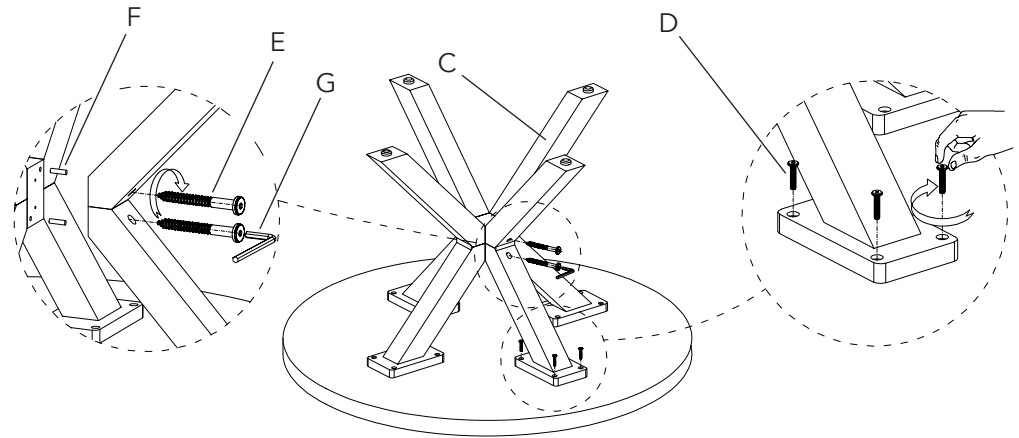
①



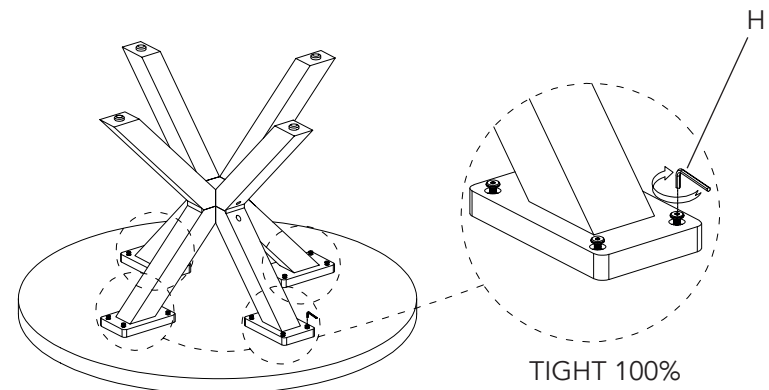
②



③



④



MAX: 75 KGS



IILFBU69