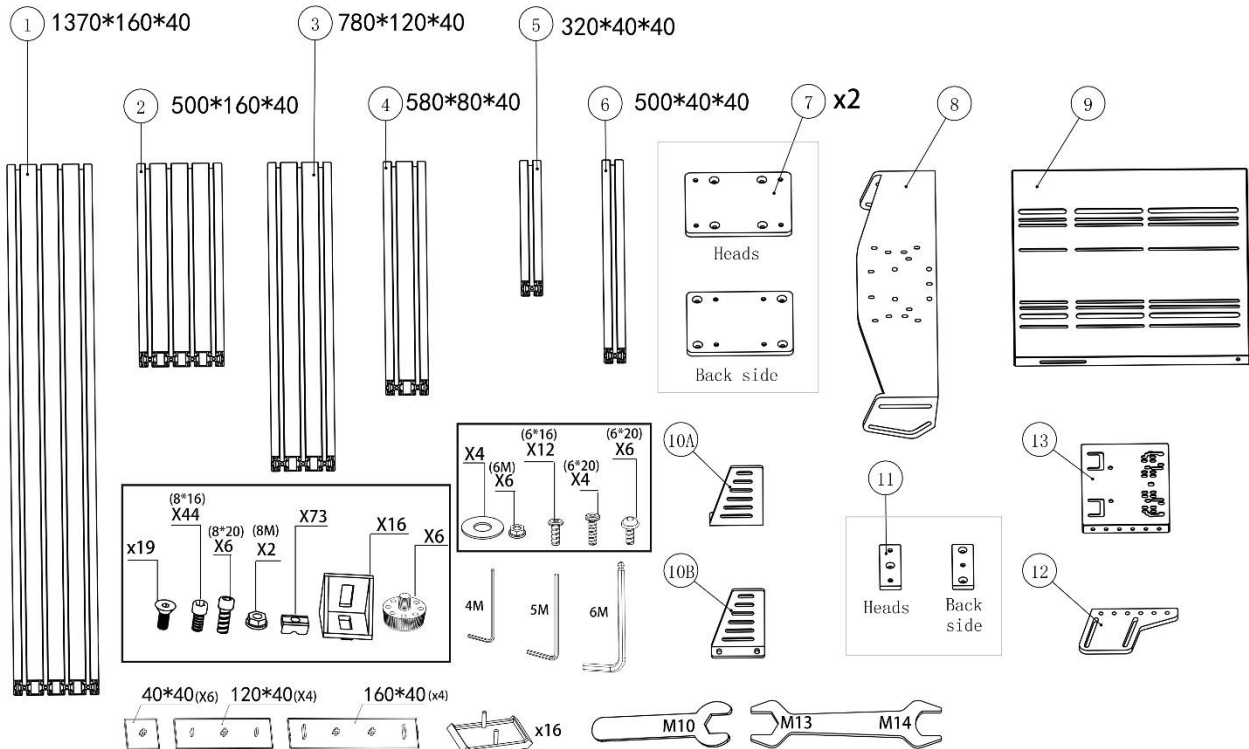
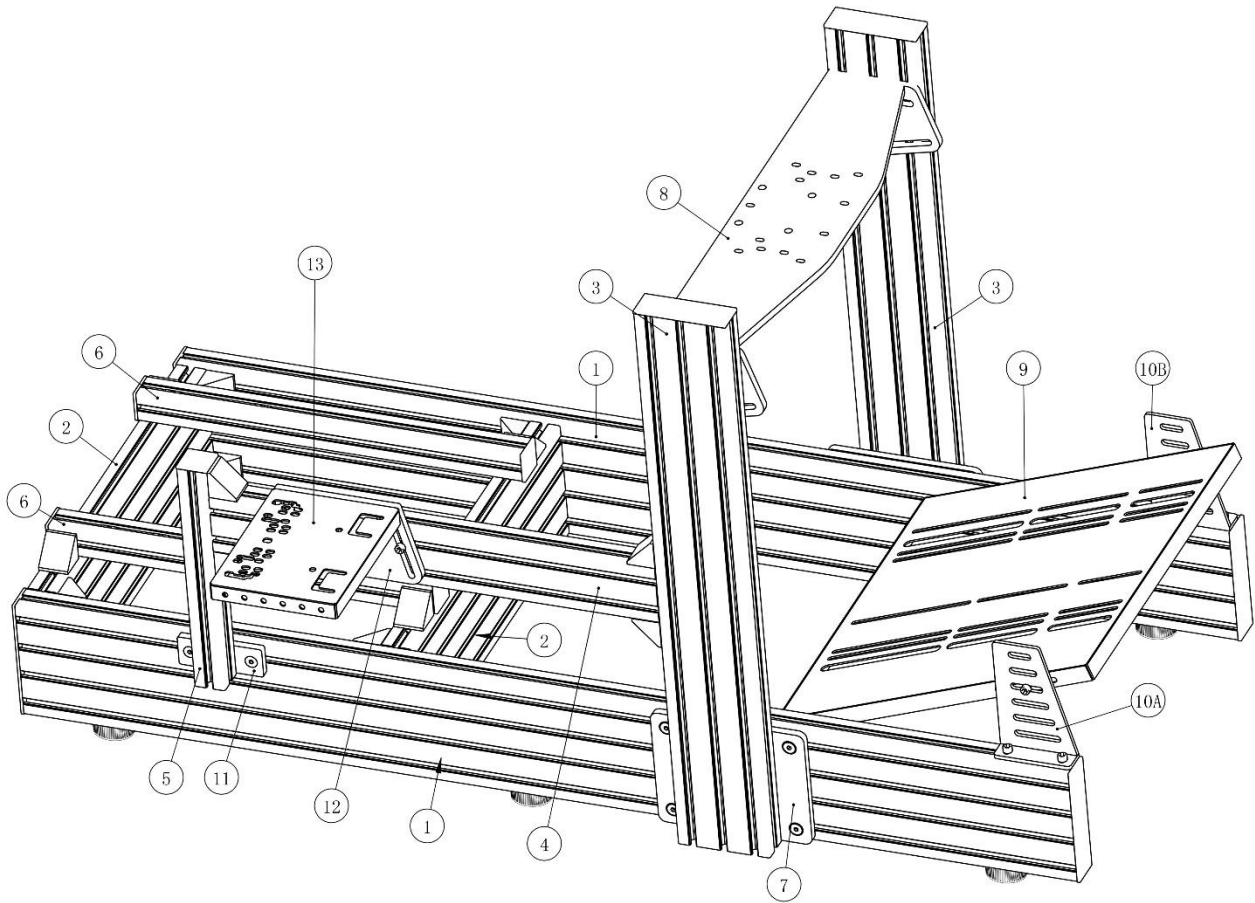
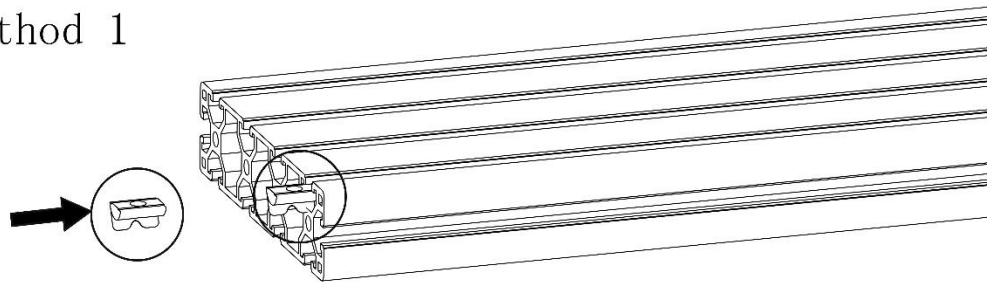


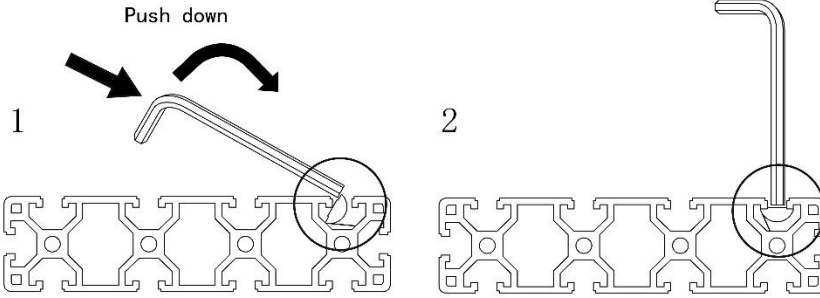
## 160mm PREMIUM CHASSIS ASSEMBLY MANUAL



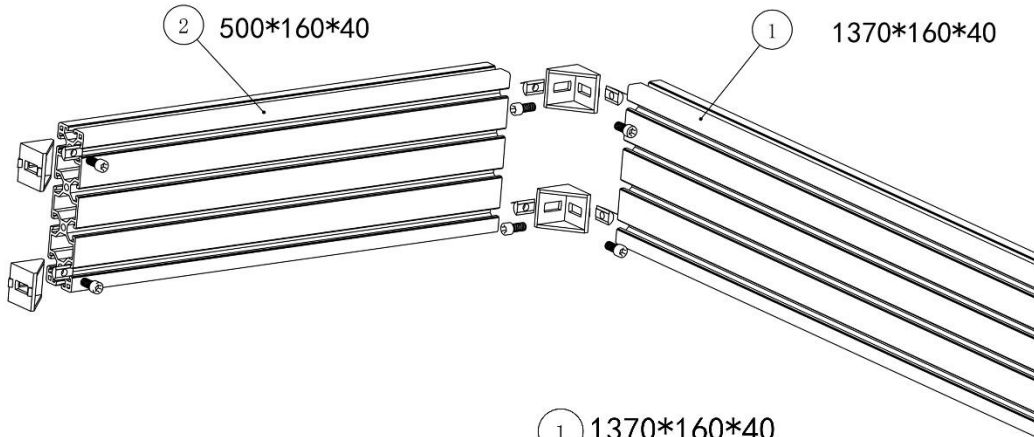
# Method 1



# Method 2

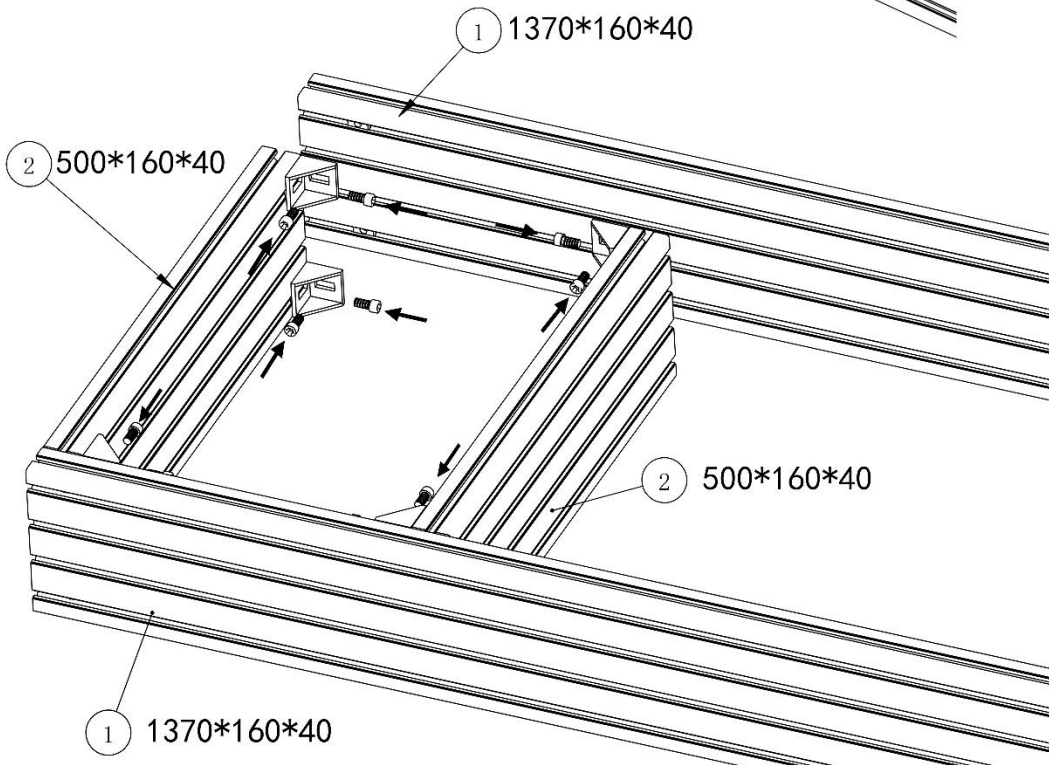
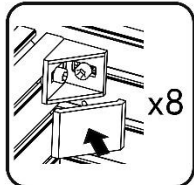


# 1

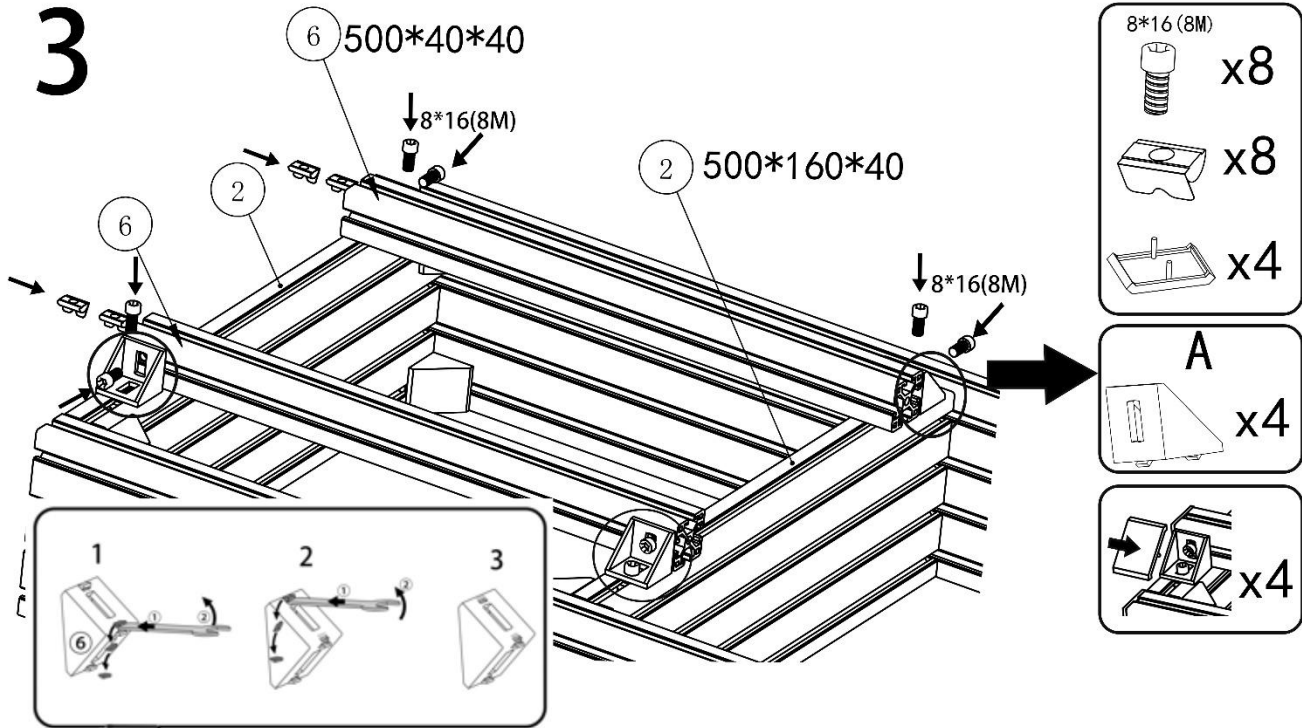


# 2

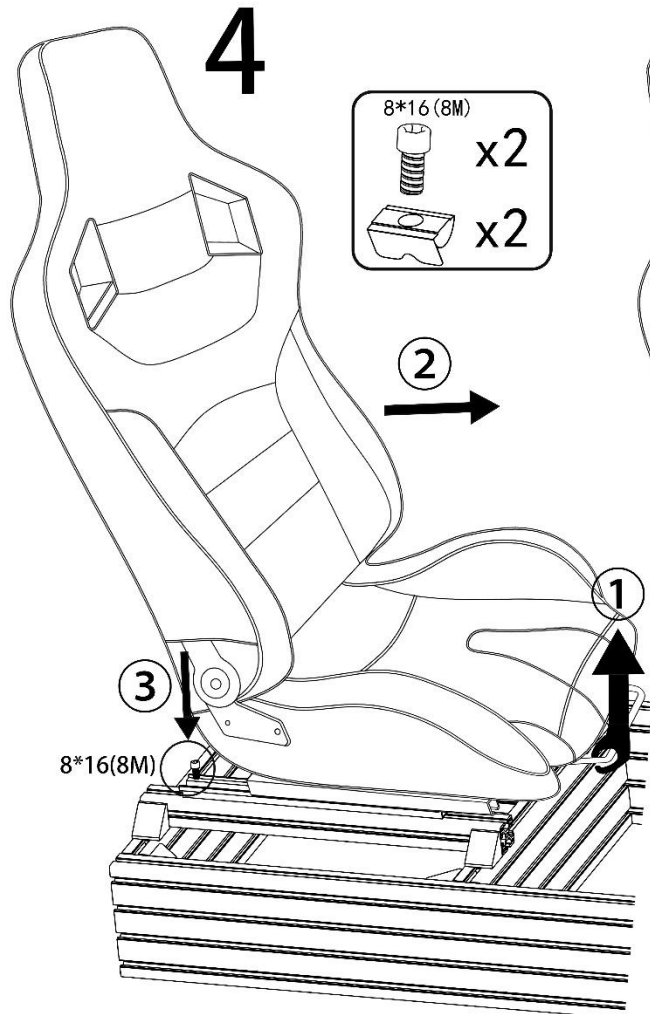
- (8\*16) 8M x16
- x16
- x8
- x8



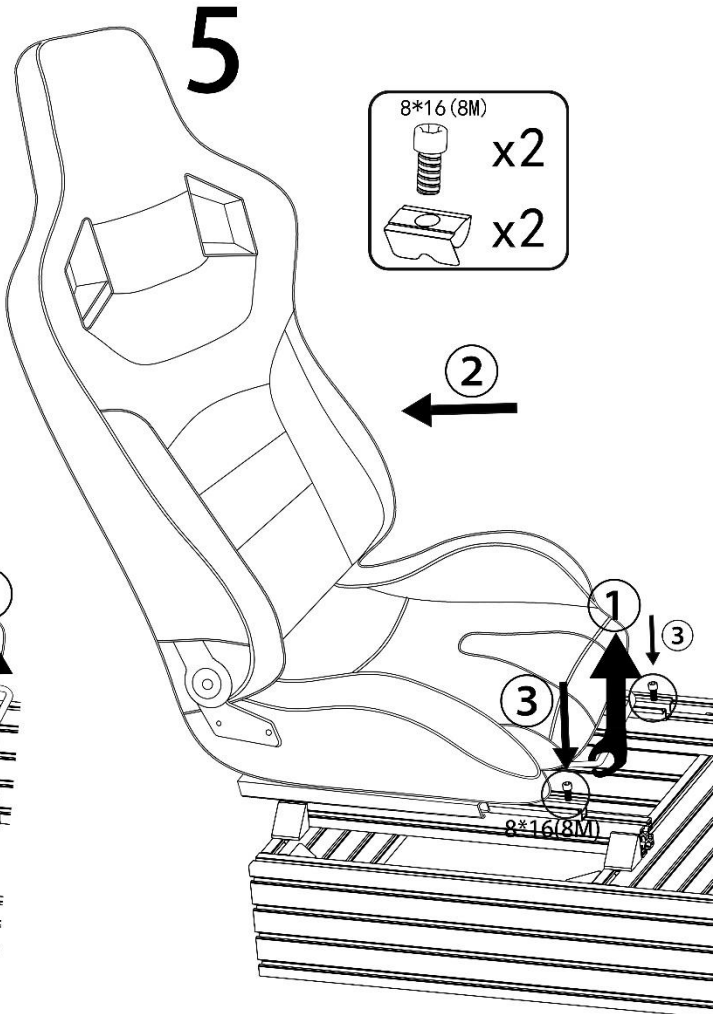
# 3



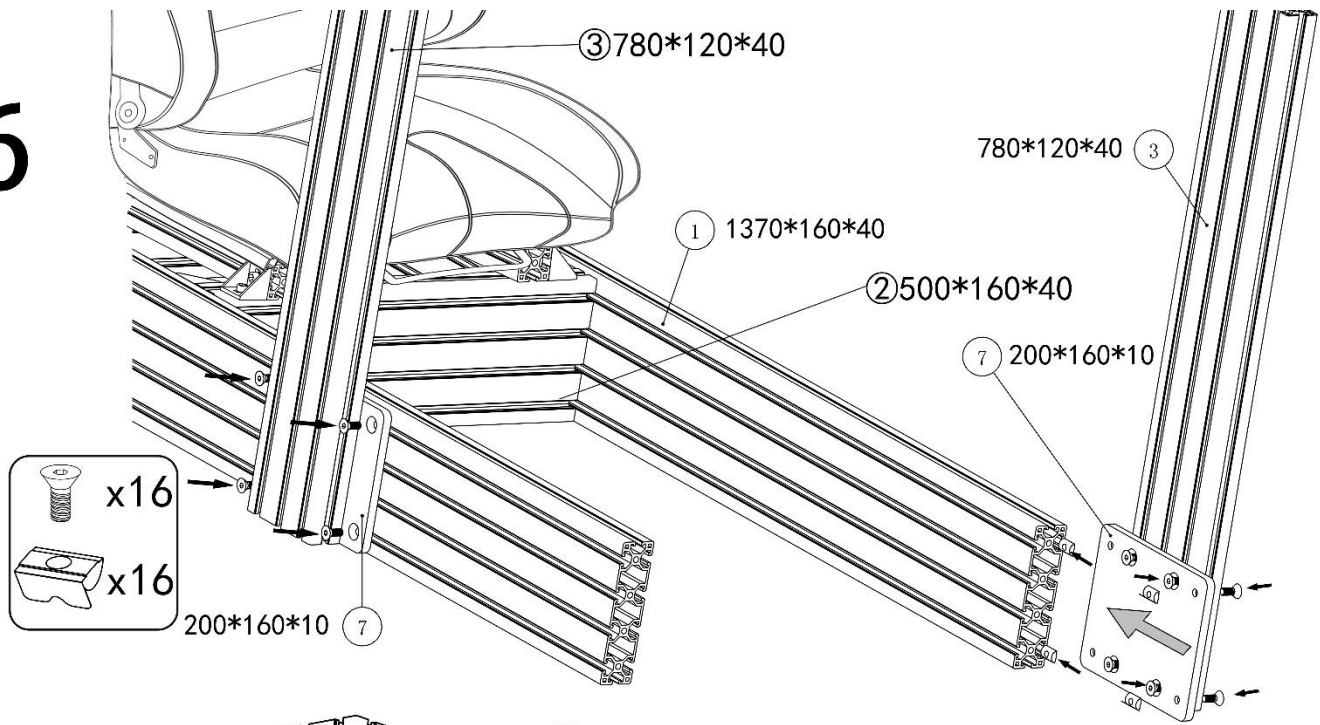
# 4



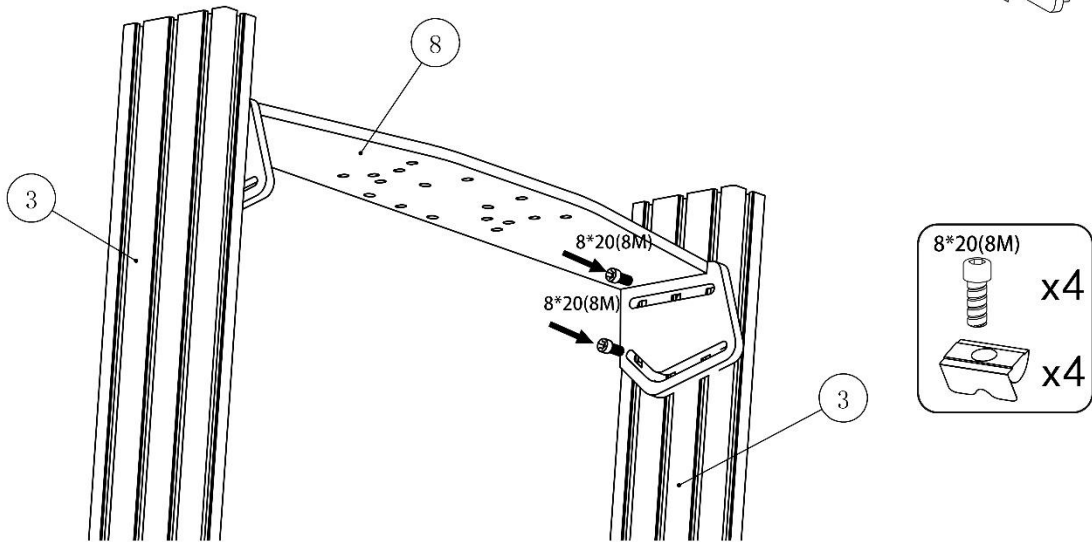
# 5



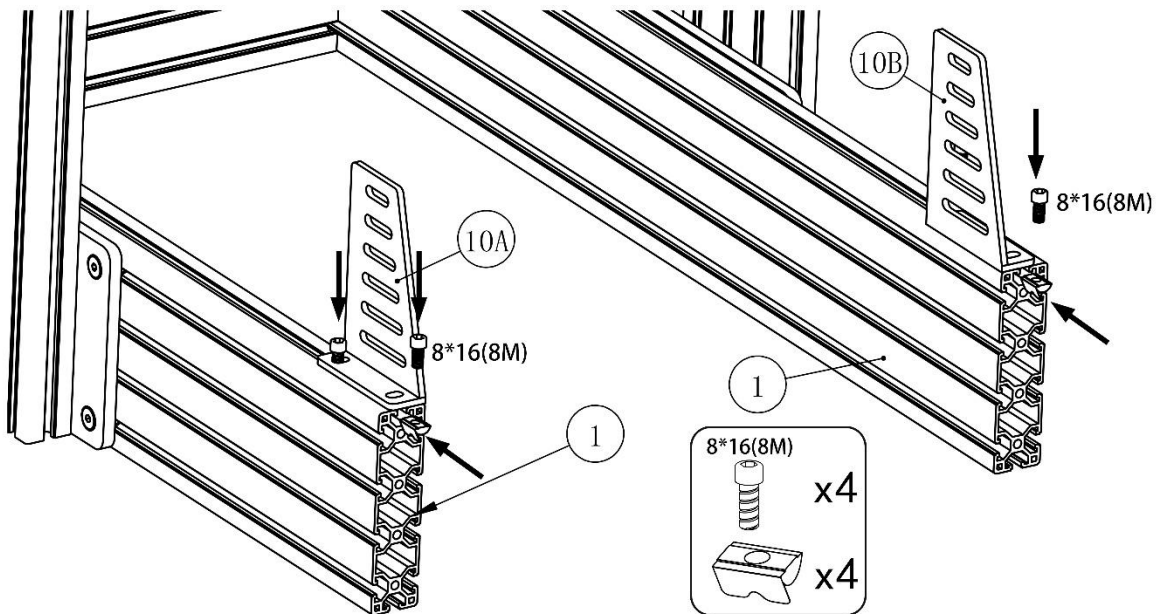
# 6



# 7

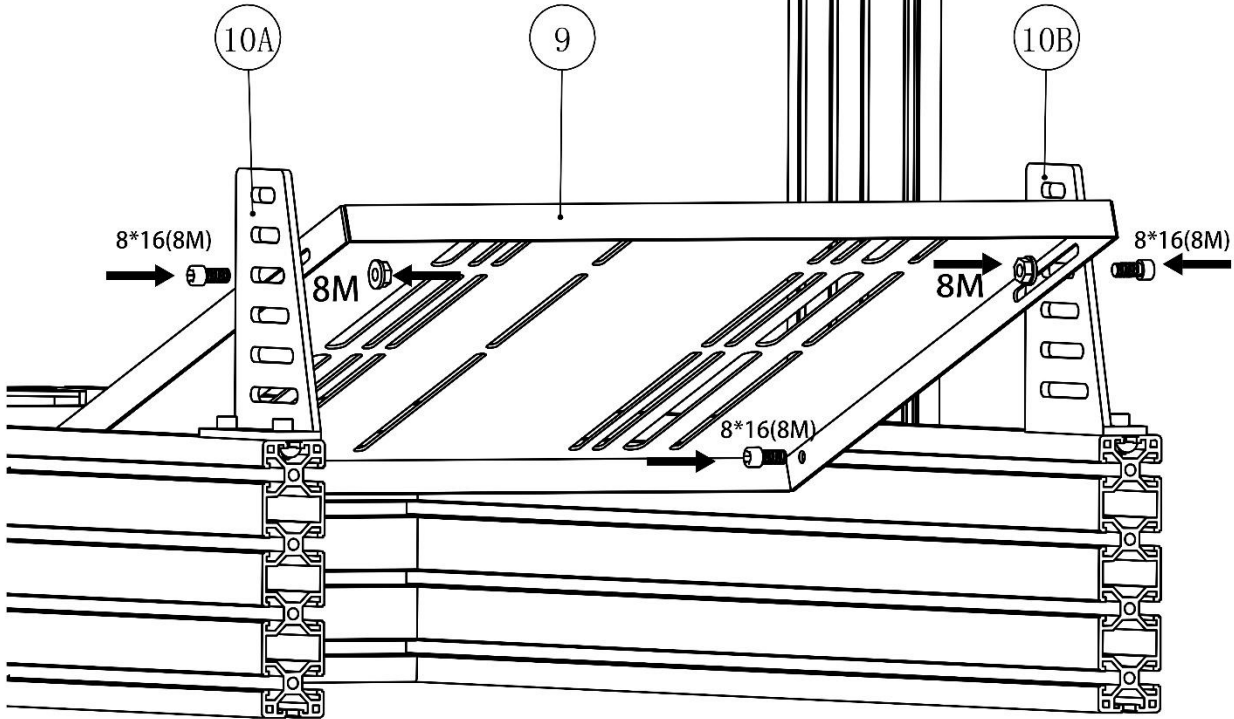
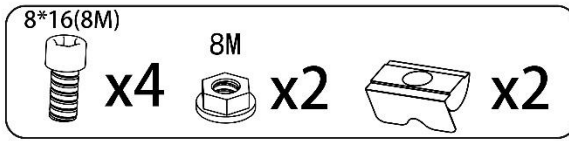


# 8



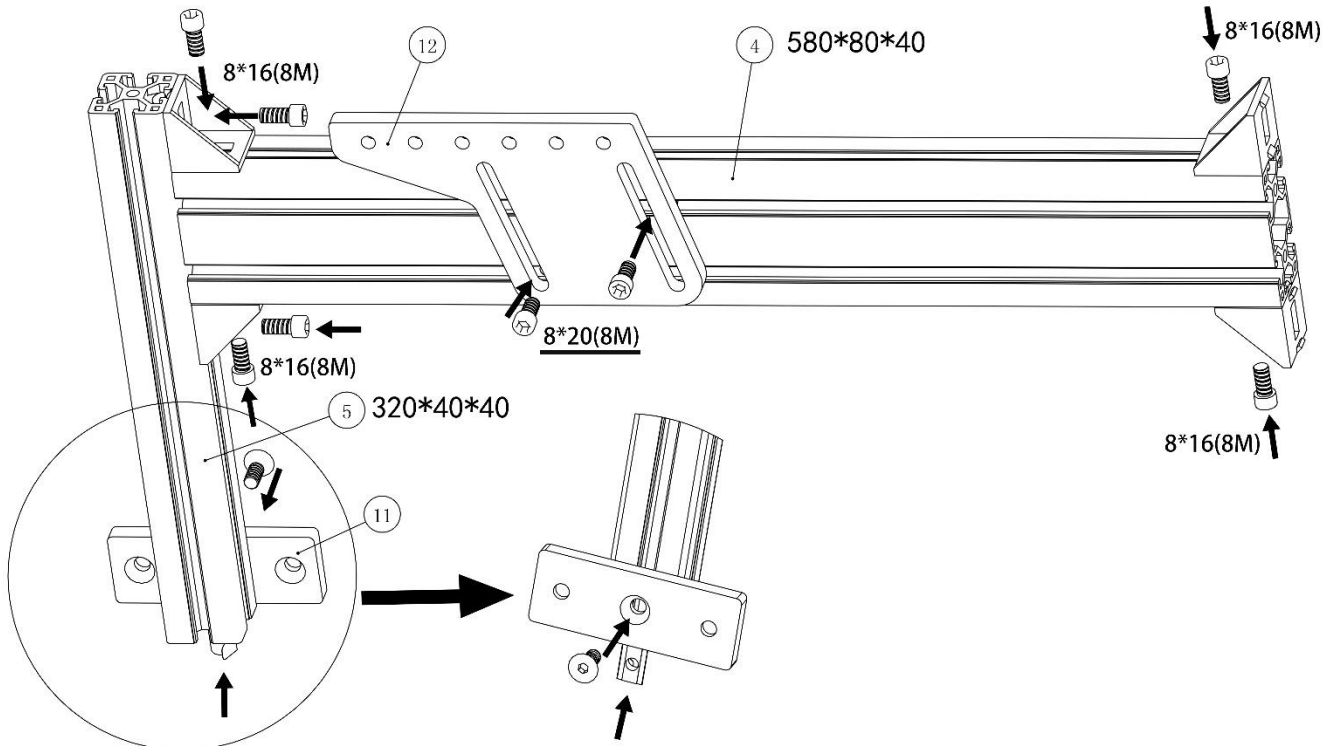
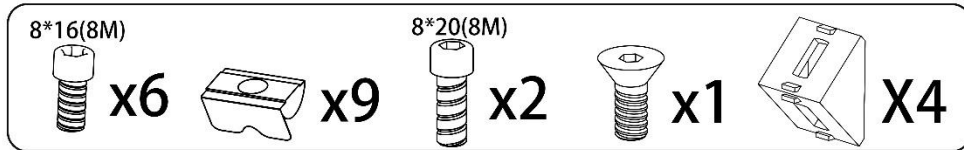
# 9

8\*16(8M) x4    8M x2    x2



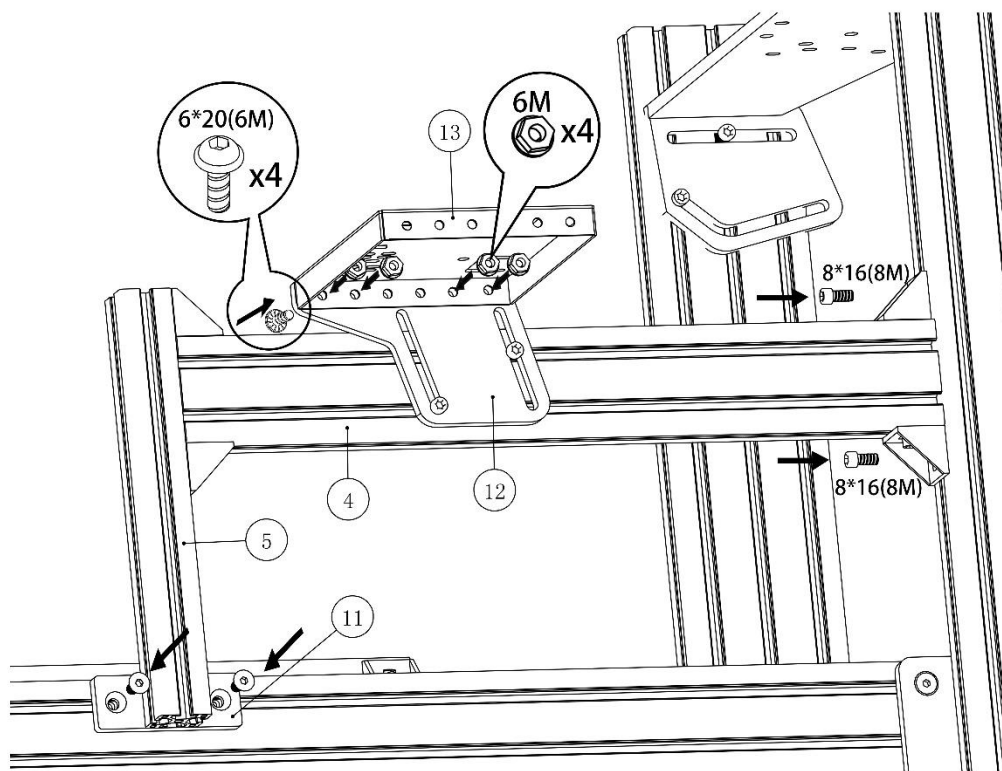
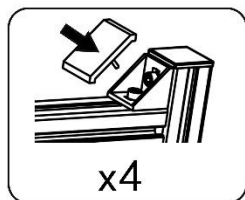
# 10

8\*16(8M) x6    x9    8\*20(8M) x2    x1    x4



# 11

- 8\*16(8M) x2
- 6\*20(6M) x4
- 6M x4
- 8\*16(8M) x2
- 6M x4
- x4



# 12

- x6
- x4
- x4
- x6
- x6

