

Installation Guide

PCAM-JP3



Spare Tire Mount Camera

for 2007-2018 Jeep Wrangler JK

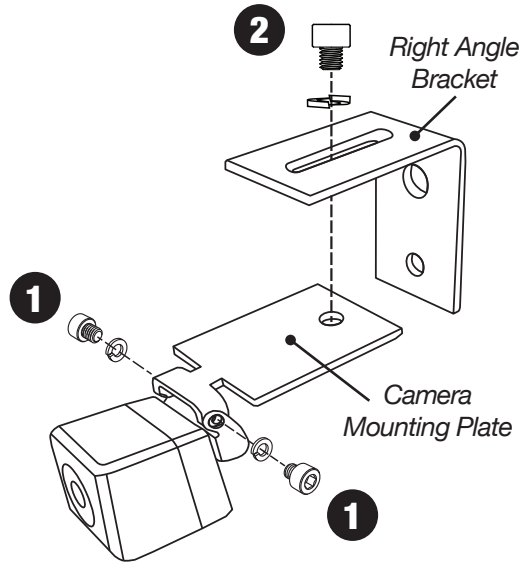


ECHOMASTER
PRO

Installation Guide

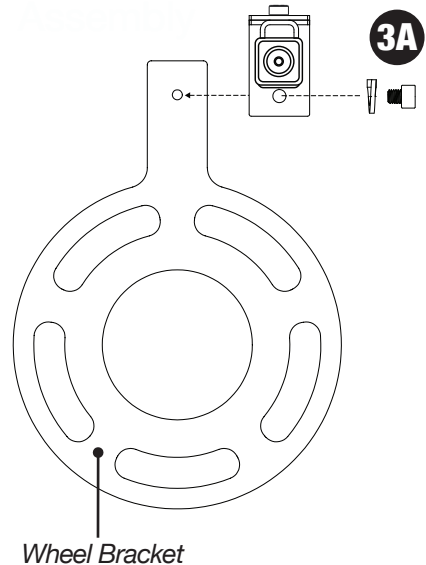
1. Using two M3 x .50 screws and lock washers, attach the camera to the Camera Mounting Plate.

2. Using a M6 x 1 screw and lock washer, attach the Camera Mounting Plate to the Right Angle Bracket as shown.

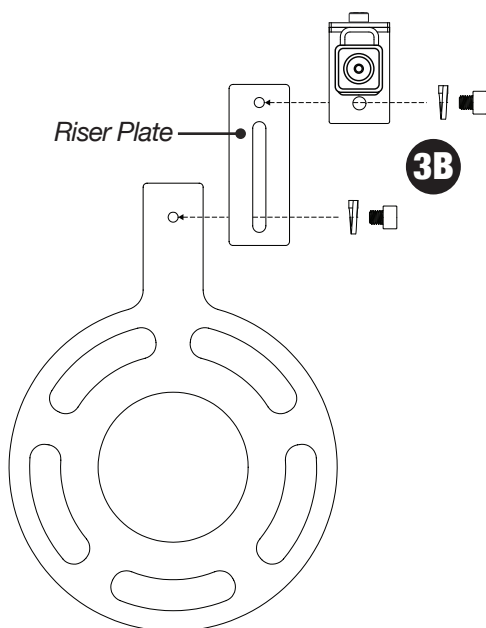


3A. For most applications with stock/standard wheels, attach the camera bracket assembly to the Wheel Bracket using a M6 x 1 screw and lock washer.

For applications with larger wheels and/or off-center wheel openings, see step 3B.

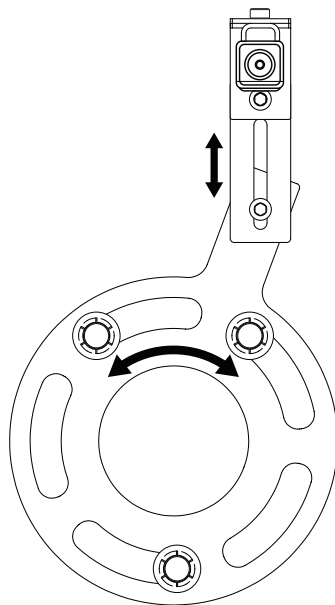


3B. For larger wheels, attach the Riser Plate to the Wheel Bracket and attach the camera assembly to the Riser plate using M6 x 1 screws and lock washers.



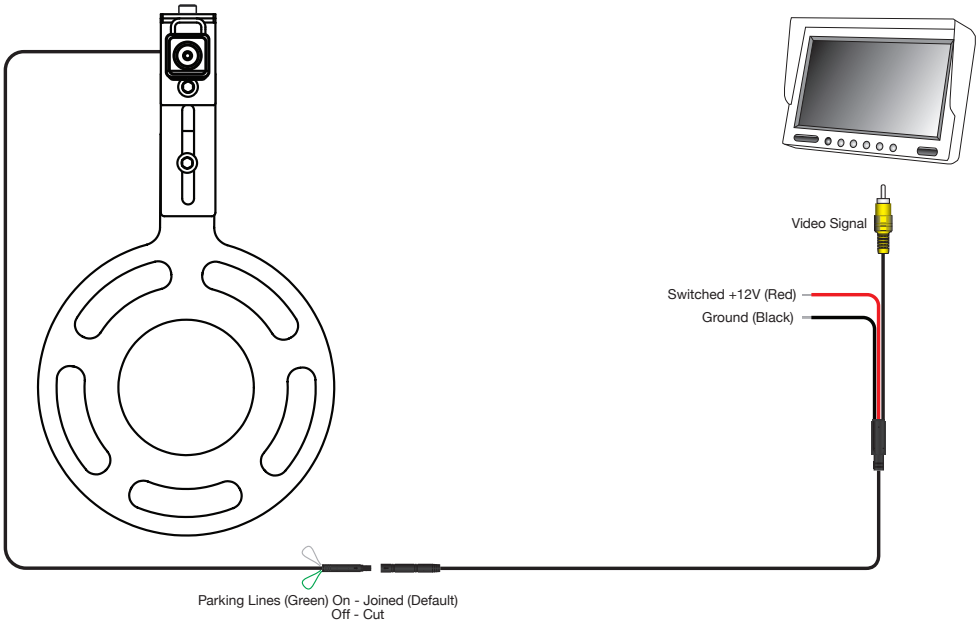
4. Place the completed assembly on the tire carrier wheel studs and install the supplied push nut retainers on the wheel studs.

Replace the spare tire. Position the camera as close to center as possible. This may require removing and rotating the wheel until a usable opening in the wheel is located at or near center and adjusting the pieces of the mount to achieve the desired view.



Once positioned, tighten all camera bracket hardware and lug nuts.

Wiring Diagram



Contact

Technical Support:

email - support@aampglobal.com

tel - 1-800-477-2267

web - EchoMaster.com



EchoMaster is a Power Brand of AAMP Global.

15500 Lightwave Drive, Suite 202, Clearwater, Florida 33760