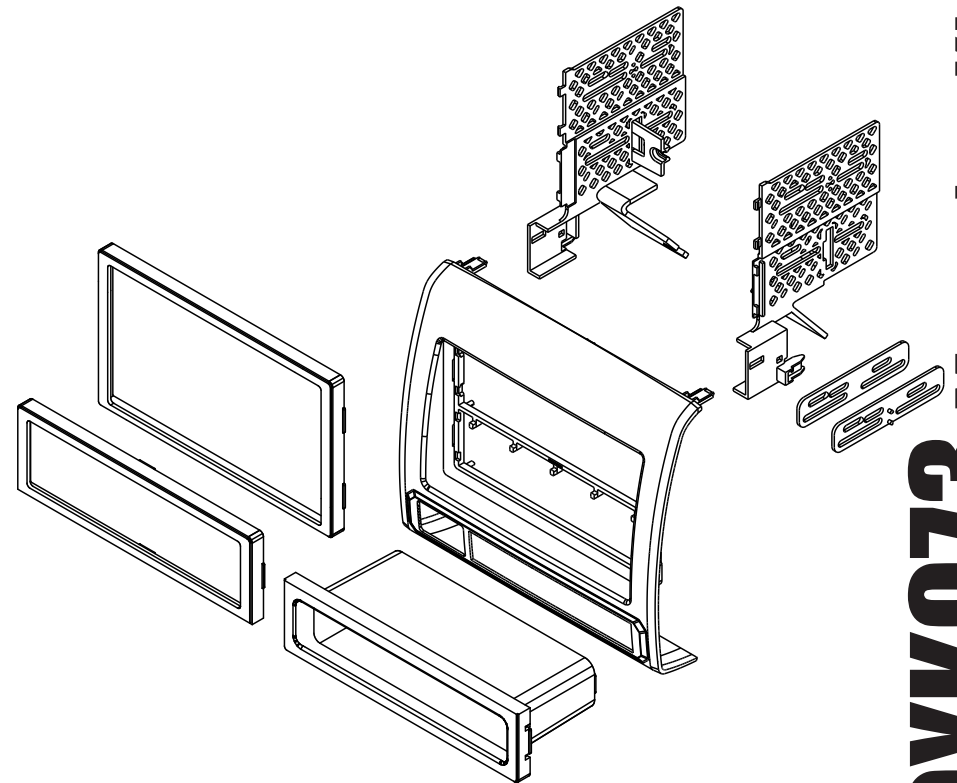


For information about other American International automotive accessories visit our website at:

<http://www.americaninternational.net>



**American  
International**  
*Car Stereo Installation Kits & Accessories*



**TOYK973 Mounting Kit**



**American International**

**VEHICLE APPLICATIONS**

**Toyota**  
2012-15 TACOMA

**CUSTOMER HELP LINE**  
USA 800-323-4329 • Canada 800-245-8777

IT0YK973

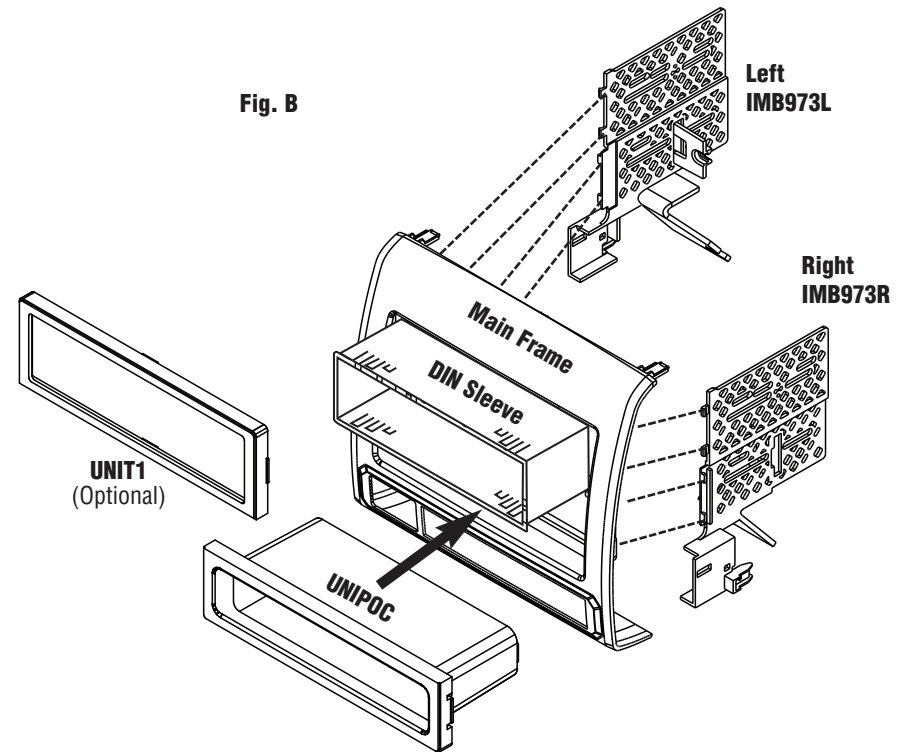


## NOTES:

## KIT ASSEMBLY INSTRUCTIONS

### Single DIN Mount Applications

1. Place Main Frame face down.
2. Insert module, as shown in Figure A on page 2, between mounting brackets.
3. Attach side brackets to rear side of kit as shown in Figure B below and Figure A on page 2.
4. Insert pocket (part # UNIPOC) into lower section of the main frame.
5. Attach left and right side brackets to the rear of the pocket using screws supplied.
6. Insert DIN sleeve from your new radio into the upper section of the installation kit.
7. Depress the tabs from inside the sleeves opening upward, outward, and downward to secure sleeve to the installation kit.
8. Install radio into sleeve and lock into place.
9. Attach a rear support bracket to the rear of the new radio and adjust as necessary to attach to the rear support stud located on the back of the pocket using the small phillips screw supplied with kit (optional).



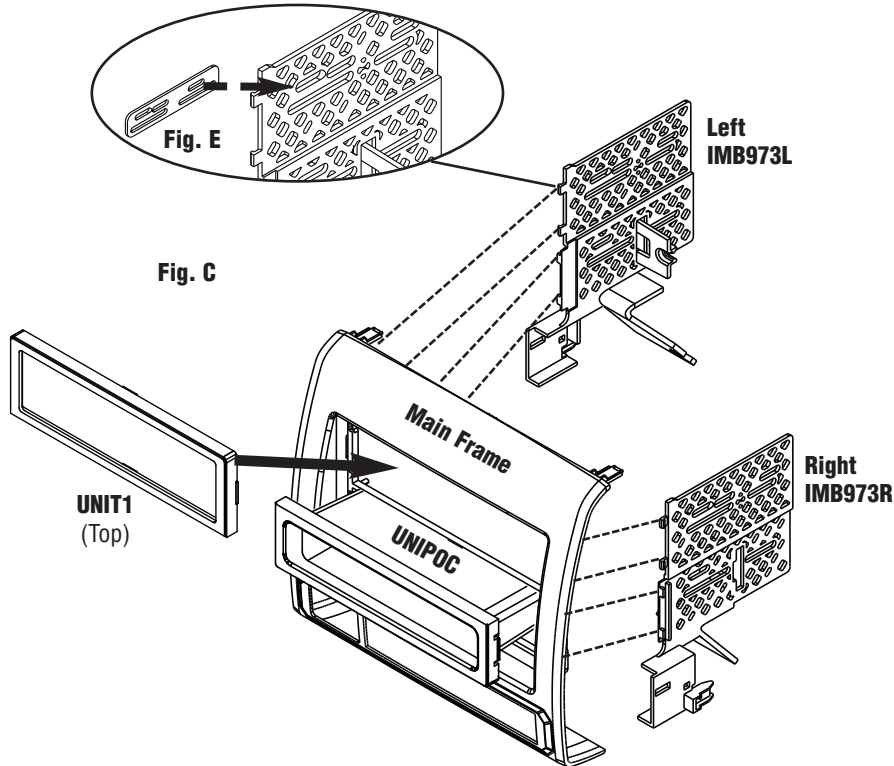
**NOTE:** ISO trim ring (UNIT1) may be used in place of after-market radio's removable trim ring.

## KIT ASSEMBLY INSTRUCTIONS

### Single ISO Mount Applications

1. Place Main Frame face down.
2. Insert module, as shown in Figure A on page 2, between mounting brackets.
3. Attach side brackets to rear side of kit as shown in Figure C below and Figure A on page 2.
4. Insert pocket (part # UNIPOC) into lower section of the main frame.
5. Attach left and right side brackets to the rear of the pocket using screws supplied.
6. Attach (1) ISO Spacer to the inside of upper section on both Left & Right mounting brackets as shown in Fig. E.
7. Insert ISO mountable radio between ISO mount brackets and loosely attach to sides of radio using screws provided with radio when possible or hardware included with kit.
8. Slide radio component forward or backward for desired look and tighten screws.
9. Attach a rear support bracket to the rear of the new radio and adjust as necessary to attach to the rear support stud located on the back of the pocket using the small phillips screw supplied with kit (optional).

**NOTE:** 1) ISO trim ring (UNIT1) may be used in place of after-market radio's removable trim ring.



## KIT ASSEMBLY INSTRUCTIONS

### Double DIN Mount Applications

1. Remove center rib from Main frame and file edges smooth.
2. Place Main Frame face down.
3. Insert module, as shown in Figure A on page 2, between mounting brackets.
4. Attach side brackets to rear side of kit as shown in Figure D below and Figure A on page 2.
5. Attach (1) ISO Spacer to the inside of upper section on both Left & Right mounting brackets as shown in Fig. E.
6. Insert ISO mountable radio between ISO mount brackets and loosely attach to sides of radio using screws provided with radio when possible or hardware included with kit.
7. Slide radio component forward or backward for desired look and tighten screws.
8. Attach a rear support bracket to the rear of the radio components and adjust as needed to allow rear support bracket to rest in the sub-dash (optional).

**NOTE:** 1) ISO trim ring (UNIT2) must be used in place of after-market radio's trim rings.

