

TOYK968 Mounting Kit



www.aampglobal.com **www.aius.net**
2500 East Francis Street Ontario, CA 91761, U.S.A.
Sales: (800) 477-2267
Intl: (727) 572-9255
Support: 888-228-5560

VEHICLE APPLICATION

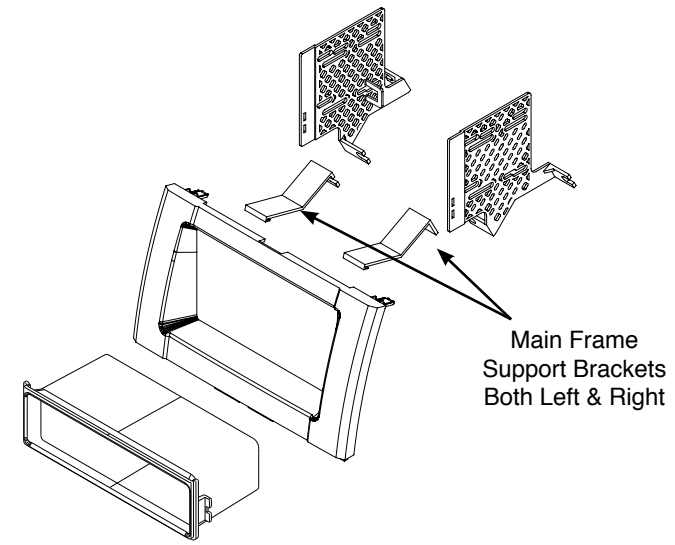
Toyota
2014-17 TUNDRA

DASH DISASSEMBLY & RADIO REMOVAL

1. Using a soft tool, carefully unclip center dash trim from below the climate controls, that includes the 12v outlets. (See "A" in Photo)
2. Carefully unclip the climate control panel, unplug harness and remove. (See "B" in Photo)
3. Remove (2) bolts from the bottom and (2) bolts from the sides of the OEM Radio.
4. Unclip the OEM radio and remove. Unplug harness.



Fig A



Double DIN Mount Applications

1. Snap the Main Frame support brackets to the TOYK968 main frame. DO NOT attach the (2) metal clips included with the kit yet.
2. Insert radio between ISO mount brackets and loosely attach to sides of radio using screws provided with radio when possible or hardware included with kit.
3. Slide radio component forward or backward for desired look and tighten screws.
4. Test fit kit/radio by mounting it using the (4) OEM bolts, and making sure the main frame of the TOYK968 aligns correctly and does not leave any gaps when installed. If everything looks correct go to step #5. If not, go back to step # 3.
5. Attach the metal panel fastener clips (included with kit) (2) to each mounting tab on the back side of the TOYK968 panel.
6. Attach a rear support bracket to the rear of the new radio and adjust as necessary to support the weight of the radio (optional).

KIT ASSEMBLY INSTRUCTIONS

Single ISO Mount Applications

1. This kit is an (ISO) mounting kit only. The mounting sleeve of your new radio and trim ring cannot be used when ISO mounting an aftermarket radio. Your radio must have a removeable trim ring.
2. Snap the Main Frame support brackets to the TOYK968 main frame. DO NOT attach the (2) metal clips included with the kit yet.
3. Insert pocket into lower section of kit from rear & lock into slots of mounting brackets.
4. Insert ISO mountable radio between ISO mount brackets and loosely attach to sides of radio using screws provided with radio when possible or screws supplied with kit.
5. Slide radio forward or backward for desired look and tighten screws.
6. Test fit kit/radio by mounting it using the (4) OEM bolts, and making sure the main frame of the TOYK968 aligns correctly and does not leave any gaps when installed. If everything looks correct go to step #7. If not, go back to step # 5.
7. Attach the metal panel fastener clips (included with kit) (2) to each mounting tab on the back side of the TOYK968 panel.
8. Attach a rear support bracket to the rear of the new radio and adjust as necessary to support the weight of the radio (optional).

Fig B

