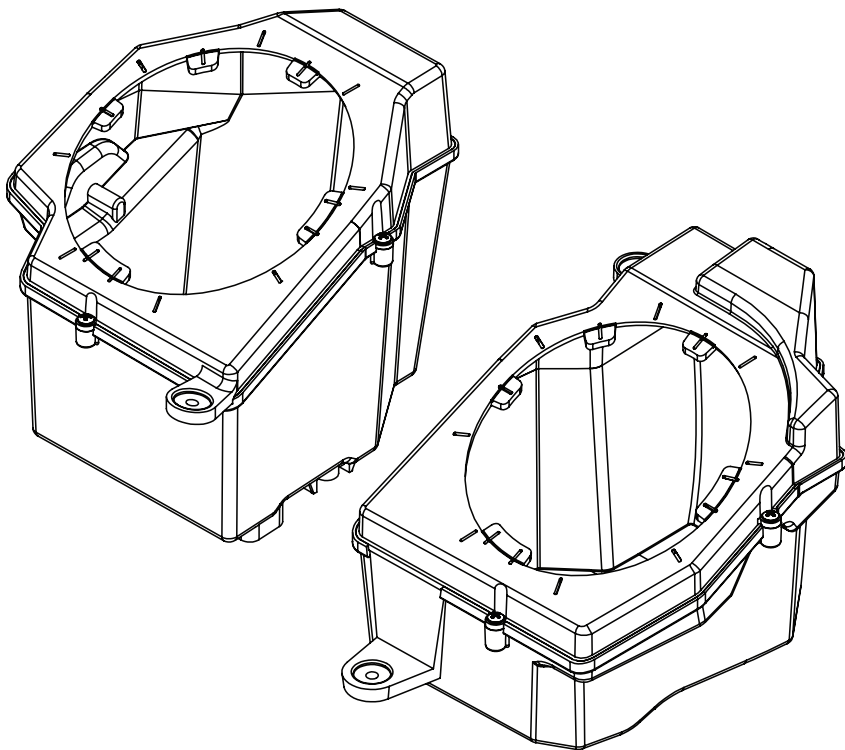




STXJLPOD

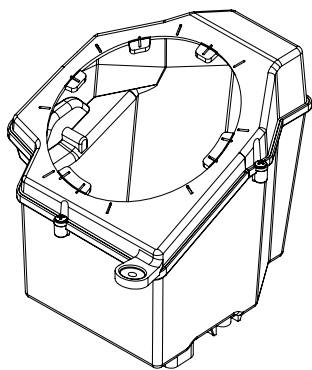
2018- 2022 Jeep Wrangler JL / Gladiator JT
6.5" Speaker Pods with Tweeter Adapters



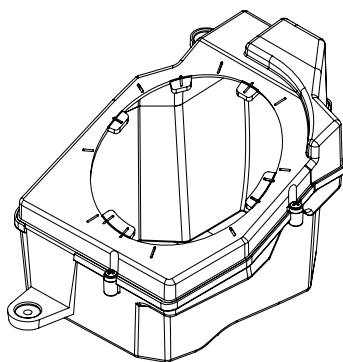
Installation Guide

What's In The Box

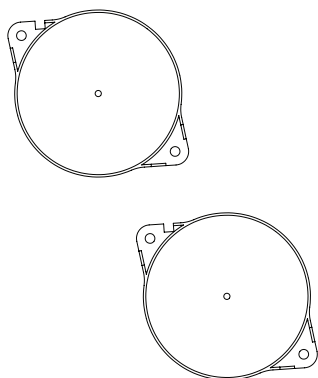
LH Speaker Pod X 1



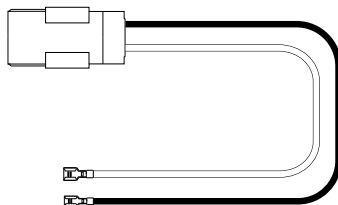
RH Speaker Pod X 1



Tweeter Mounting Plate X 2



Speaker Plug Adapter X 2



Recommended Tools

Nylon Trim Tools

Phillips Screwdriver

7, 10, 13mm Sockets

Ratchet

7mm Wrench

Installation Notes

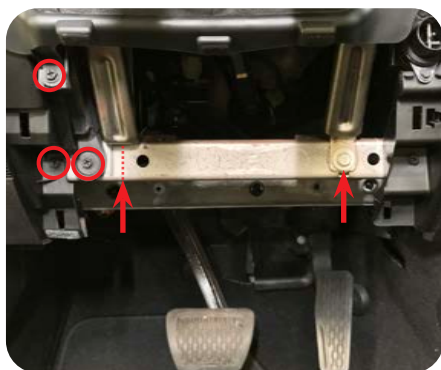
- Read this installation guide thoroughly before disassembling or modifying the vehicle. Installation of this product requires technical skill, experience and specialized tools. If in doubt, it's recommended to have it professionally installed by an authorized Stinger Dealer.

Vehicle Disassembly

1. Starting at the top, remove the knee panel below the steering wheel by pulling outward to release the retaining clips, then work your hands down the edges of the panel to release the remaining clips and remove the panel.



2. Remove the three Phillips/7mm screws circled. Remove the two 10mm bolts indicated by the arrows. The bolt on the left is behind the horizontal bar facing down.



3. Starting on the exposed left-hand side of the radio/climate control panel, pull outward to release the retaining clips.



4. Unplug the two connectors on the backside of the radio/climate control panel and remove.



5. Remove the two screws securing the radio bezel to the sub-dash.

NOTE: If the vehicle has an aftermarket radio, it may need to be removed to complete disassembly of the dash area.



6. Starting at the bottom, pull outward to unclip the radio bezel, working your way up the sides and then release the top and remove the bezel.





Vehicle Disassembly (cont.)

7. Remove the indicated screw above the radio display that is securing the upper dash pad.



8. Starting at either end, pull the upper dash pad trim towards the rear of the vehicle to release the retaining clips from one side to the other.

NOTE: These clips can be extremely hard to remove and some may stay in the dash and need to be removed and placed back on the trim panel.



9. Remove the four screws along the top of the instrument cluster bezel. Pull outward on the bezel to disengage bezel from lower retaining clips and remove.



10. Remove the indicated screws at the top of the light switch panel to the left of the instrument cluster.



11. Unclip the left side of the upper steering wheel trim.

Remove the indicated screw.



12. Using a trim tool, remove the dash end cover on the driver's side.





Vehicle Disassembly (cont.)

13. Remove the 4 screws from the driver's end panel.

NOTE: Unplugging the door harness and unbolting the door stay will allow the door to open freely and allow easier access to the screws.



14. Using a 7mm wrench, remove the lower screw on the driver's end panel.



15. Remove the speaker enclosure side screw indicated.

If you are having trouble accessing this screw, read NOTE in Step 13.



16. Pull out (towards the door) on the edge of the end panel and release the alignment studs indicated. Then pull towards the rear to access the back of the panel.



17. Unplug the headlamp switch wire harness connector and remove the panel.



18. Remove the 10mm bolt below the speaker on the left side. Pull the metal brace off the locator pin so it can drop down and allow room to remove the speaker enclosure.



Vehicle Disassembly (cont.)

19. Remove the screw at the top of the speaker enclosure. The enclosure should now be free.



20. Push down on the enclosure and angle the top mounting tab passed the sub-dash and outward.



21. Tilt the enclosure forward far enough to access the speaker connector on the backside of the enclosure. Unplug the speaker connector.



22. With the speaker connector unplugged, tilt the speaker enclosure further to access the two plugs connected to the module. Unplug the two connectors and remove the speaker enclosure.



Now for the passenger side...

23. Open and empty the glove box. Disconnect the damper arm on the left side.



24. Push up on the plastic stop at the top until it clears the tab on the glove box. Tilt the glove box fully downward and unhinge it along the bottom.





Vehicle Disassembly (cont.)

25. Remove the end cover on the right side of the grab handle above the glove box.



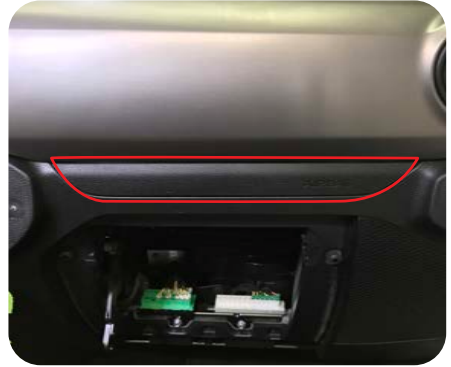
26. Remove the two 10mm bolts and remove the grab handle.



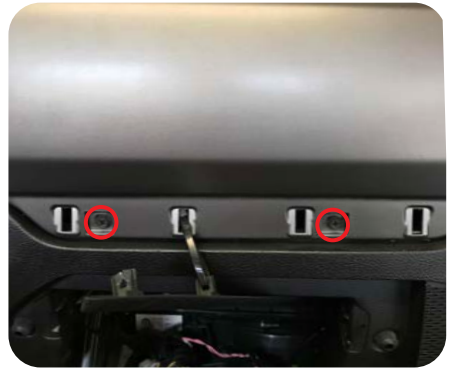
27. Inside the glove box opening, at the top behind the plastic stop, locate and remove the two 13mm bolts.



28. Using a trim tool, unclip the cover panel above the glove box. If this panel is tethered to the sub-dash, you can leave it connected and still access the screws.

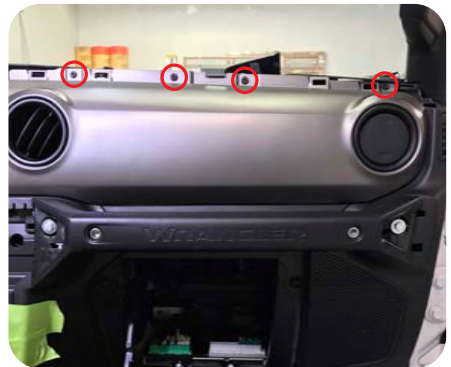


29. Remove the two screws at the bottom of the air vent/airbag panel.



30. Remove the four screws along the top of the air vent/airbag panel.

Pull outward slightly on the air vent/airbag panel to release the retaining clips, but do not remove.



Vehicle Disassembly (cont.)

31. Move the air vent/airbag panel down and out of the way to gain access to indicated dash panel screw on the top. Remove the screw.



32. Lift the air vent/airbag panel up and out of the way to gain access to the dash panel screw on the right side. Remove the screw.



33. With the air vent/airbag panel still out of the way, remove the center dash panel screw.



34. Remove the three dash panel screws along the bottom of the glove box opening.



35. Inside the glove box opening, on the lower right side, remove the 7mm screw from the bottom of the speaker enclosure.

Unplug the speaker wire connector on the back of enclosure.



36. Inside the glove box opening, at the top of the enclosure, remove the 7mm screw.



Vehicle Disassembly (cont.)

37. Using a trim tool, remove the dash end cover on the passenger side.



38. Remove the 4 screws from the passenger side dash end panel.

NOTE: Unplugging the door harness and unbolting the door stay will allow the door to open freely and allow easier access to the screws.



39. Using a 7mm wrench, remove the lower screw on the passenger's end panel.



40. Remove the speaker enclosure side screw located inside the lower access hole.

If you are having trouble accessing this screw, read NOTE in Step 35.



41. Pull out (towards the door) on the edge of the end panel and release the alignment studs indicated.



42. Release the dash panel along the bottom edge of the glove box opening. Move the air vent/airbag panel up so the dash panel can move forward.





Vehicle Disassembly (cont.)

43. Pull out on the dash panel far enough to allow the speaker enclosure to be removed from the bottom



Optional dash speaker removal...

If you are replacing the dash speakers using the included tweeter mounting plates, follow the instructions below for both sides of the vehicle.

Using a trim tool, carefully unclip the speaker grille.



Using a short screwdriver or 7mm socket, remove the two screws and unplug the factory speakers.



Speaker Pod Preparation

Driver's side shown. Preparation is similar for both sides.

1. Remove the three screws securing the factory speaker.

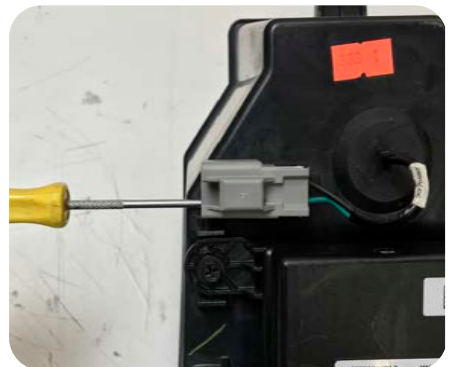


2. Before unplugging speaker, check speaker wire polarity and make note of positive and negative. Depending on your installation (factory amp or aftermarket amp) you may need to switch polarity.

Unplug and remove the factory speaker.



3. Using a small screwdriver or similar, release the clip on the speaker wire terminal and slide it off the raceway.



Speaker Pod Preparation (cont.)

4. Remove the rubber grommet from the backside of the enclosure. Pull out the speaker harness and set it to the side. This will be installed on the replacement pods.



5. Driver's side only: Remove the three screws securing the module to the backside and set the module and screws to the side. The module will be attached to the new pod.



6. Feed speaker connector end of the factory speaker harness into the replacement pod.



7. Re-seat the rubber grommet and slide and lock the speaker connector on the backside of the pod.



8. Driver's side only: Attach the module to the backside of replacement pod using the three screws removed from the factory enclosure.



9. Test fit the replacement speaker. If using a 6 1/2" or larger speaker, remove all the inner mounting tabs.





Speaker Pod Preparation (cont.)

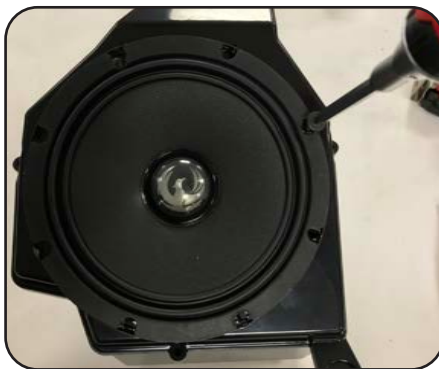
10. Attach one of the included Speaker Plug Adapters to factory speaker connector.

Verifying polarity, attach the speaker leads to the replacement speaker.



11. Align and install the speaker using the hardware included with the replacement speakers.

Repeat Steps 1-11 for other side.



Tweeter Mounting Plate:

Using the center mark on the plate, drill the appropriate size hole. Mount the tweeter to the plate using the hardware supplied with the tweeter.

NOTE: The tweeter should be mounted on the side of the plate with the raised lip.



Speaker Pod Installation

Installing the replacement pods is done in reverse order of removing the factory enclosures. Refer to the removal instructions for reference.

Driver's Side:

1. Position the driver's side pod backside up, and plug in the two connectors to the module.
2. Tilt pod up and connect speaker connector.
3. Work the top mounting tab passed the sub-dash into position.
4. Install the top, bottom and side screws using the same screws removed from the factory enclosure.



Passenger Side:

1. Pull back on the dash panel and push the pod into position from the bottom.
2. Install the top, bottom and side screws using the same screws removed from the factory enclosure.
3. From inside the glove box opening, connect the gray speaker connector.



Tweeter Mounting Plate:

1. Connect the speaker wires to the tweeter.
2. Align the tab to the notch in the tweeter plate.
3. Reinstall the two screws removed from the factory speaker.
4. Snap the speaker grille into place.



IMPORTANT! Before reassembling the vehicle, thoroughly test all speakers!

Stinger



Limited Warranty

Stinger warrants this product to be free of defects in materials and workmanship for a period of one (1) years from the original date of purchase. This warranty is not transferable and applies only to the original purchaser from an authorized Stinger dealer in the United States of America only. Should service be necessary under this warranty for any reason due to manufacturing defect or malfunction, Stinger will (at its discretion), repair or replace the defective product with new or remanufactured product at no charge. Damage caused by the following is not covered under warranty: accident, misuse, abuse, product modification or neglect, failure to follow installation instructions, unauthorized repair attempts, misrepresentations by the seller. This warranty does not cover incidental or consequential damages and does not cover the cost of removing or reinstalling the unit(s). Cosmetic damage due to accident or normal wear and tear is not covered under warranty.

INTERNATIONAL WARRANTIES:

Products purchased outside the United States of America are covered only by that country's Authorized Stinger reseller and not by Stinger. Consumers needing service or warranty information for these products must contact that country's reseller for information.



Stinger is a Power Brand of AAMP Global
15500 Lightwave, Clearwater, Florida 33760
Phone: 888-228-5560

Technical Support

Phone: 727-592-5991

Email: support@stingerelectronics.com

Chat: [stingerelectronics.com](https://www.stingerelectronics.com)

STXJLPOD-IG REV 101722

© 2022 AAMP Global