



COAXIAL LOUDSPEAKER MANUAL

Models: RX4CX, RX46CX, RX5CX, RX57CX, RX65CX, RX69CX

Features:

- LAMINATE-TREATED PAPER CONE - Advanced laminating process produces excellent stiffness to weight ratio, superior damping qualities
- 19mm BALANCED DRIVE MYLAR TWEETER - Excellent reproduction of high frequencies
- POLYIMIDE VOICE COIL FORMER - High temperature light-weight voice coil structure for increased sensitivity
- TRIPLE-LAYER UV TREATED FOAM SURROUND - Premium design for excellent sensitivity and long term reliability
- RIGID POWDER COATED STEEL FRAME - Designed for precise motor alignment

BASIC INSTALLATION

Selecting the placement of your new RX Coaxial speakers could be as easy as using the existing factory locations or may require you to create a new location. Speaker placement in the door, dash, or rear deck is the most common. See your local Phoenix Gold Dealer for additional location and mounting assistance.

DOORS /REAR DECK

1. Many vehicles already have factory locations (Figure 1) to house the "DROP IN" feature of the RX Coaxial speakers. If no existing locations are available or are not used, check the desired location for adequate cutout area and any depth obstructions. Make sure to allow sufficient clearance for window tracks, structural braces, trunk lid springs, etc.
2. Assuming enough area and depth is available, use the provided template and trace the speaker cutout and mounting holes onto the surface of the mounting location.
3. If the mounting surface is not structurally strong enough to accommodate screws, (i.e. plastic, cardboard) use the provided speed clips which will act as a nut for the supplied screws.
4. Always provide water protection, if not supplied in the vehicle. We suggest using a rain shield or equivalent. If in doubt, please contact your Phoenix Gold Dealer.

SPEAKER INSTALLATION WITHOUT GRILL

Phoenix Gold has provided a foam mounting gasket. When installing your new component speakers in a factory location make sure to use the foam mounting gasket as shown in figure 1. For reverse mounted speakers place the foam gasket in front of the speaker. This will ensure an air tight seal for your R speakers.

For more custom applications, or cases where the factory grill will not be used, a high excursion protective grill has been provided. When installing your new component speakers with the provided RX grill use figure 2.

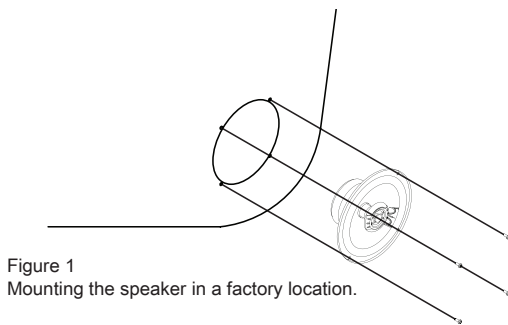


Figure 1
Mounting the speaker in a factory location.

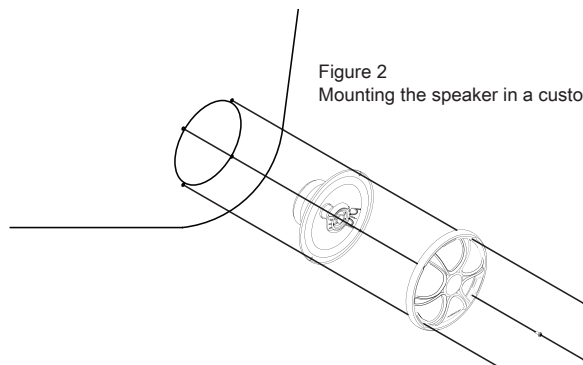


Figure 2
Mounting the speaker in a custom application.

SPECIFICATIONS: Due to continual product improvement, all specifications subject to change without notice.

	RX4CX	RX46CX	RX5CX	RX57CX	RX65CX	RX69CX
RMS Power Handling (watts)	40W	40W	40W	50W	50W	60W
Peak Power Handling (watts)	80W	80W	80W	100W	100W	120W
Impedance (ohms)	4	4	4	4	4	4
Cut Out Dimension (mm) / in.	(93) 3.7	(143 X 88) 5.6 X 3.5	(120) 4.75	(188 X 131) 7.4 X 5.2	(144) 5.7	(221 X 154) 8.7 X 6.1
Mounting Depth (mm) / in.	(50) 2.0	(51.5) 2.1	(55) 2.2	(71) 2.8	(64) 2.5	(76) 3.0