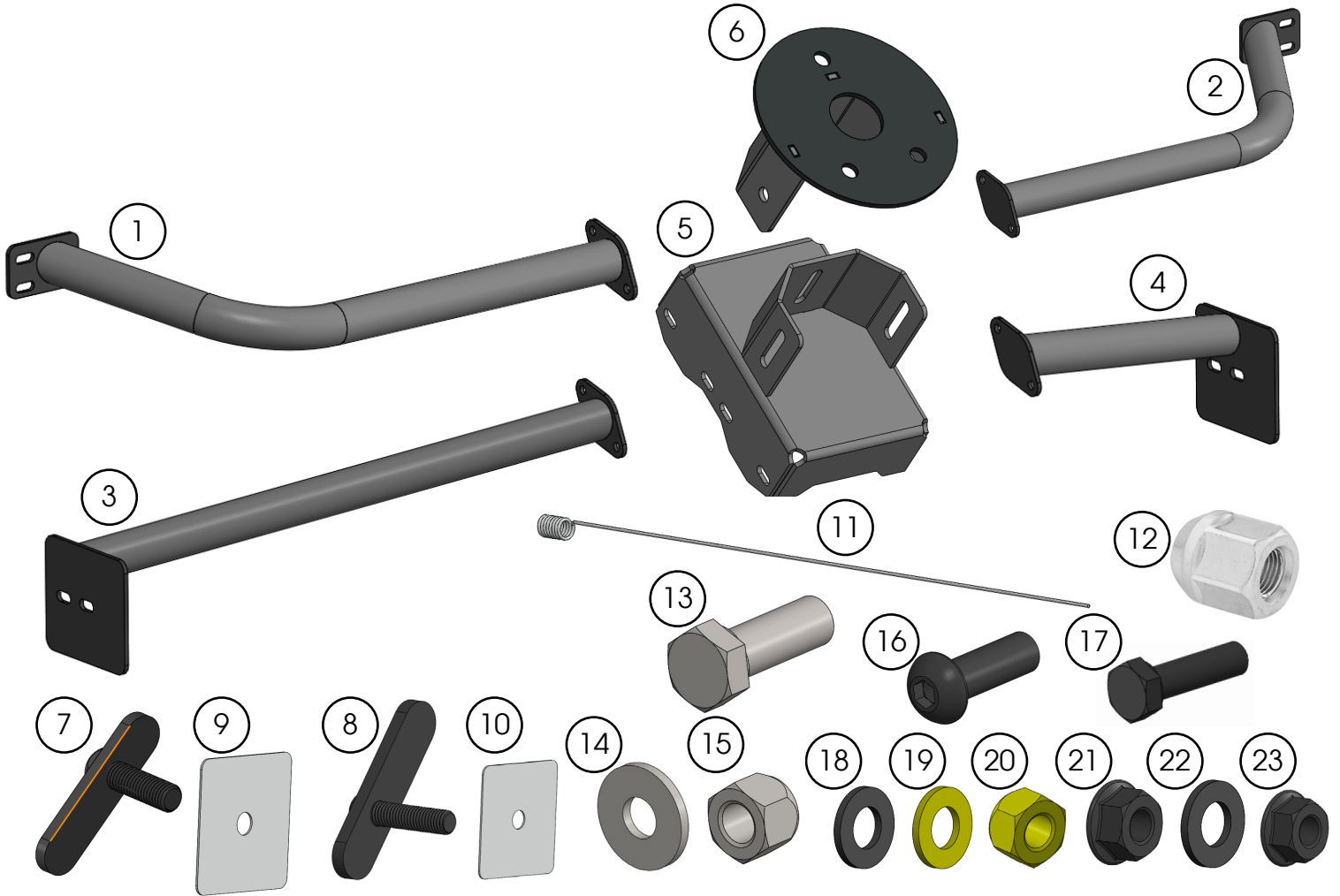


# Bed Mount Spare Tire Mount, JT



## Components

1. Upper Bar, Driver Side .....	(1)	13. M12-1.75 x 30mm Hex Bolt.....	(3)
2. Upper Bar, Passenger Side .....	(1)	14. M12 Flat Washer .....	(6)
3. Lower Bar, Driver Side.....	(1)	15. M12 Nylock Nut .....	(3)
4. Lower Bar, Passenger Side.....	(1)	16. M8-1.25 x 35mm Button Head Bolt .....	(8)
5. Center Mounting Base .....	(1)	17. M8-1.25 x 30mm Hex Bolt.....	(2)
6. Adjustable Tire Mount (w/ Wheel Studs) .	(1)	18. M8 Flat Washer (Black) .....	(12)
7. M10 Bolt Plate .....	(2)	19. M8 Flat Washer (Zinc).....	(8)
8. M8 Bolt Plate .....	(2)	20. M8 Nylock Nut (Zinc).....	(8)
9. M10 Plastic Retainer.....	(2)	21. M10 Serrated Flange Nut .....	(2)
10. M8 Plastic Retainer.....	(2)	22. M10 Flat Washer (Black) .....	(2)
11. M8 Wire Install Tool .....	(1)	23. M8 Serrated Flange Nut .....	(2)
12. M14-1.5 Lug Nut.....	(3)		

**OMIX-ADA® TECHNICAL SUPPORT**

PHONE: M-F 8am - 5pm EST 1-800-449-6649

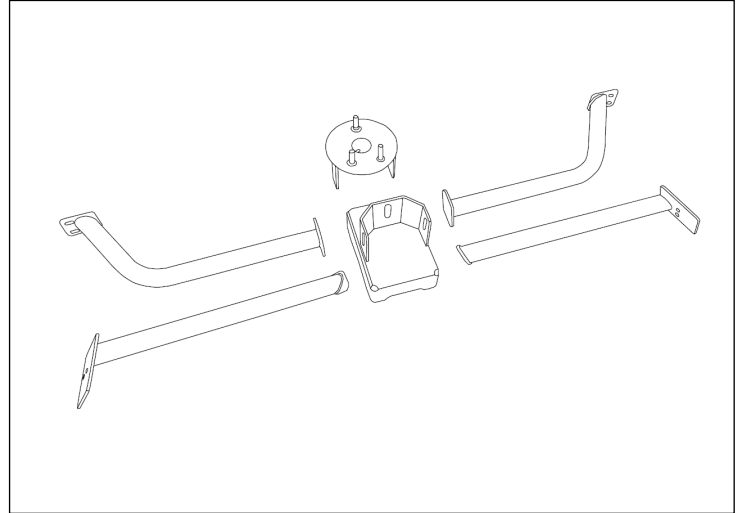
FOR WARRANTY OR TECH CONCERNS EMAIL: [webmaster@omixsupport.com](mailto:webmaster@omixsupport.com)

**ATTN: STATE OF CALIFORNIA CONSUMERS**

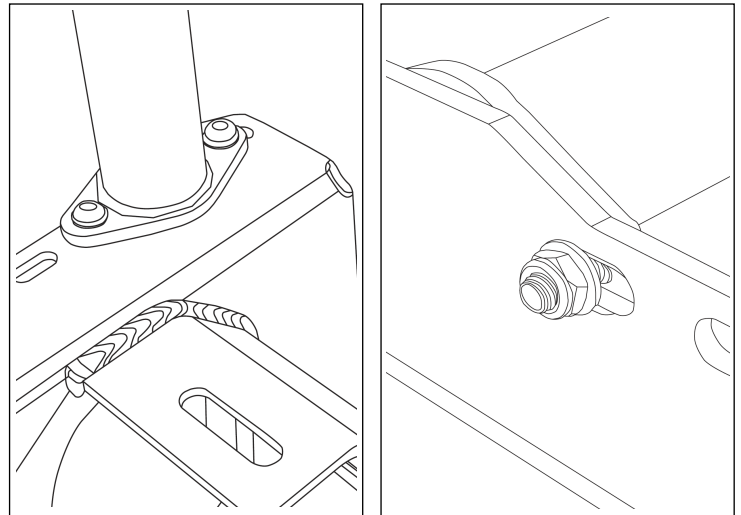
**⚠ WARNING: Cancer and Reproductive Harm - [www.P65Warnings.ca.gov](http://www.P65Warnings.ca.gov).**

## Bed Mount Spare Tire Mount, JT

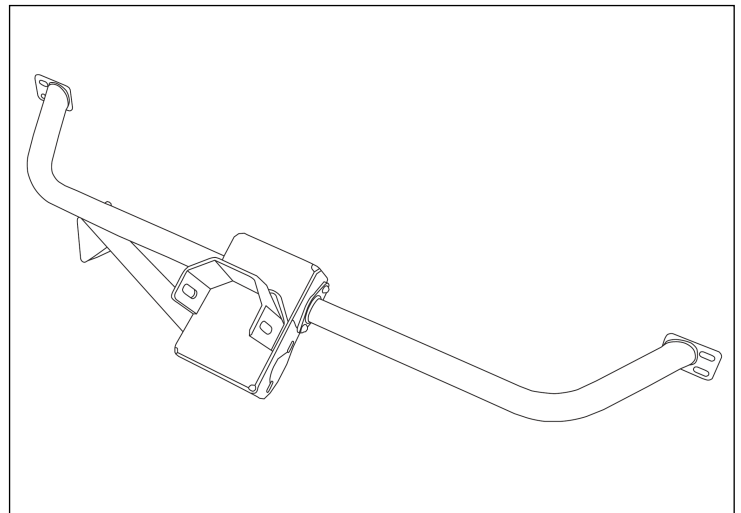
1. Preassemble the tire carrier. Place items on a surface like a moving blanket or carpet to avoid scratching the components. Use the center mounting brace and place both upper bars and one of the lower bars. It doesn't matter which lower bar you choose, in our example we used the lower drivers side bar.



2. Using M8 hardware attach the bars to the center mounting base. Notice the M8 hardware button head has a black finish. Use the black flat washer exposed on the outside and use the M8 zinc flat washer and zinc nylock nut on the inside.



3. Loosely tighten this hardware. The bars should be able to slide on the center base, so DO NOT full tighten at this time. Attach all three bars then set the assembly aside.



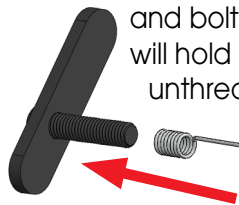


460 HORIZON DR. | SUWANEE, GA 30024 | PHONE: 770-614-6101 | FAX: 844-270-0593 | www.Omix-ADA.com

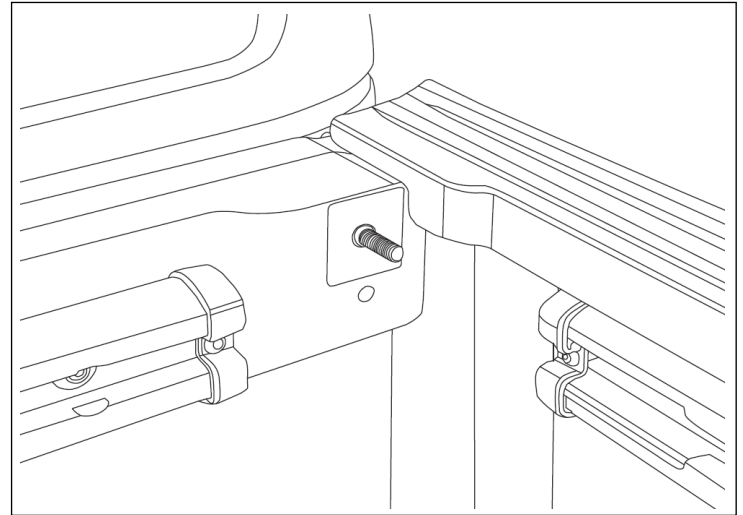
## Bed Mount Spare Tire Mount, JT

4. At the upper corner bed location there is a threaded hole and unthreaded hole. If there is a bolt in the threaded hole remove it.

Thread the M8 wire install tool onto the M8 bolt plate. Feed the end of the wire tool between the bed and the cab through the unthreaded hole. Once you fish the wire through the hole and have thread of the bolt plate exposed, thread a M8 plastic retainer over the wire tool and bolt plate. Once the retainer is fully snug it will hold the nut plate in position. Now, unthread the wire tool from the bolt plate.

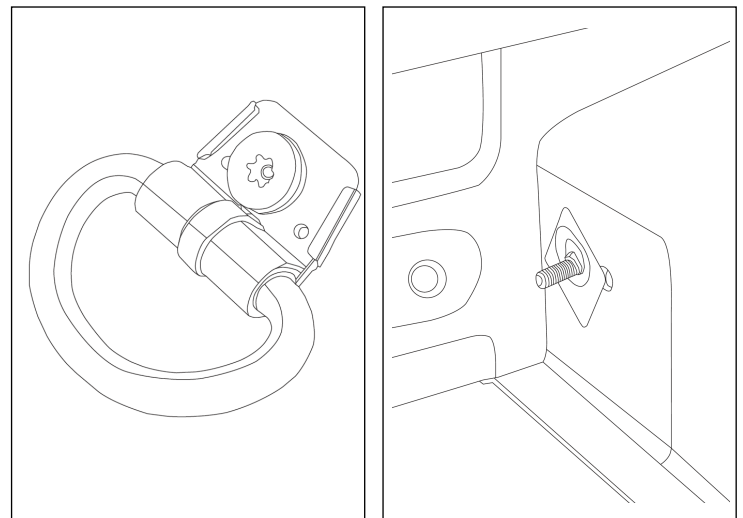


Apply the same step at both sides.

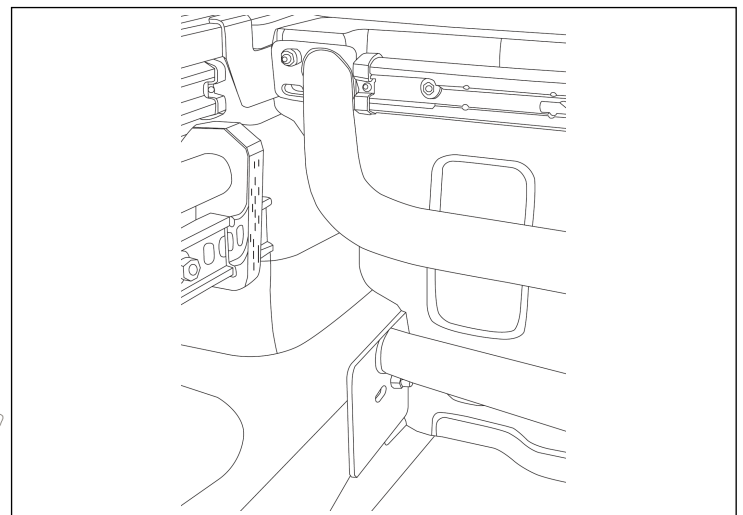
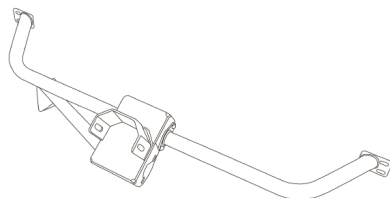


5. At the lower mounting location of the bed there is a tie down that must be removed on both the left and right sides. Use a T45 Torx bit to remove them. Keep the tie downs to be reinstalled later. Just like above, you have a threaded and unthreaded hole.

This next operation is best done with an assistant. On the right (passenger) side, look under the vehicle just above the shock mount and feel around to find the unthreaded hole. Place a M10 bolt plate from the underside of the vehicle through that hole and while you hold the bolt plate have your assistant thread on a M10 plastic retainer to hold the bolt plate in place. Repeat this sequence for the left (driver) side. Note that the driver side is more challenging due to the fuel tank filler lines.

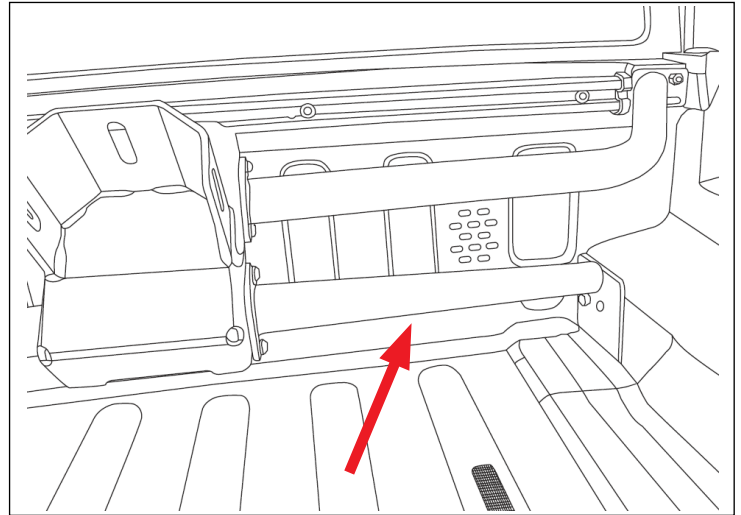


6. Grab the pre-assembled carrier from step three and gently place the end of the Lower Bar over the M10 Bolt Plate and the ends of the Upper Bars over the M8 Bolt plates. Don't force into position because it could push a bolt plate out. Once the assembly is positioned thread a M8 Serrated Flange Nut over each upper bolt plate and a M10 Serrated Flange Nut over the lower bolt plate to hold position. **DO NOT** fully tighten at this point.



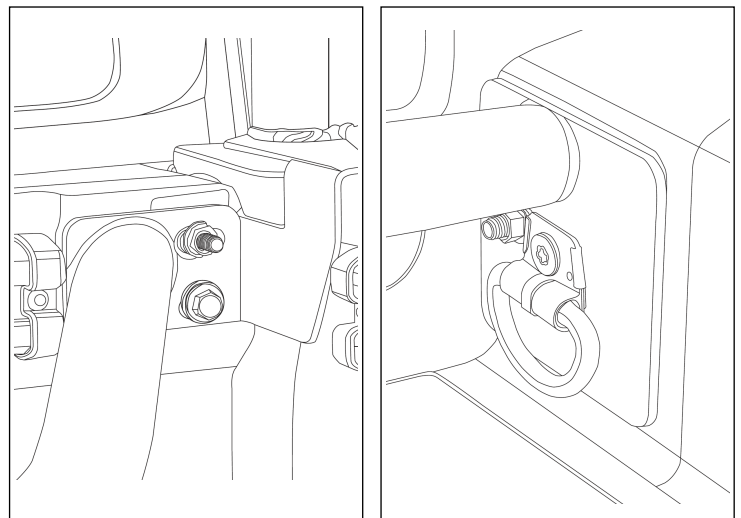
## Bed Mount Spare Tire Mount, JT

7. Install the remaining Lower Bar by carefully placing the larger end over the lower bolt plate and aligning the smaller end to the Center Mounting Base. Be careful no to push out the bolt lower plate. Install the hardware to the base like step 2 and nut to the lower bolt plate like step 6.



8. At the upper location on both the left and right sides, install the M8 Button Head Bolt into the threaded hole. At the lower location on both the left and right sides, reinstall the tie down into the threaded hole.

Adjust the carrier to assure it's level then fully tighten all hardware. DO NOT use an impact or power tool to tighten. The threaded OE holes could stripe if using power tools. Use an alternating pattern while tightening to avoid binding.



9. Install the adjustable tire mount to the mounting base. Pass a M12 bolt through a M12 washer, through the top slot on the mounting base from the outside surface. Then, from the inside surface of the mounting base, install a M12 washer over the bolt and thread on a M12 nut. Repeat this process at the left and right slots. With the hardware loose adjust the tire mount to the desired height. Check this to the backspacing of the tire you plan to mount, then, fully tighten the M12 hardware.

Place your spare tire into the studs and tighten all three Lug nuts to hold the tire into position. This completes the install of your spare tire mount.

