



OMIX-ADA, Inc.

Part #11546.51

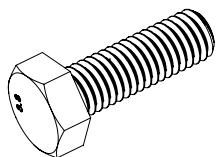
460 HORIZON DR. SUITE 400 | SUWANEE, GA 30024 | PHONE: 770-614-6101 | FAX: 770-614-6069 | info@omix-ada.com

HD Hinge Casting PATENT PENDING

CONTENTS:

HD Hinge Casting
Spacer Plates (2 PCS)

HARDWARE:



Hex Bolt X 4

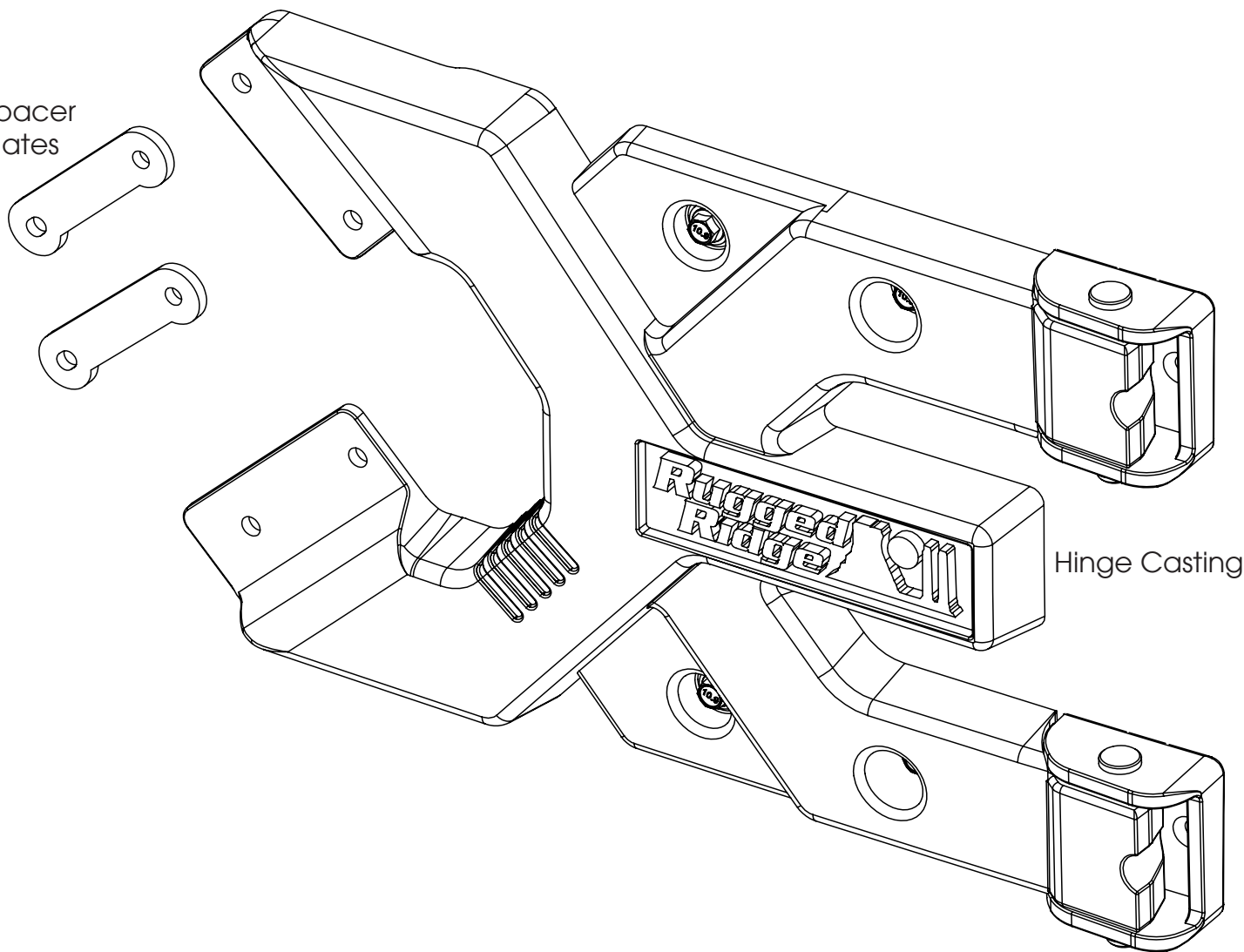


Washer X 4

TOOLS REQUIRED:

Socket Wrench
10" extension
13mm socket
3/4" deep socket
T-20, T-50 Torx bits
Red Thread Lock
Shims
Torque Wrench

Spacer
Plates



Hinge Casting

OMIX-ADA® TECHNICAL SUPPORT

PHONE: M-F 8am - 5pm EST 1-800-449-6649 | EMAIL: techsupport@omix-ada.com

FOR WARRANTY INFORMATION VISIT: www.Omix-Ada.com



OMIX-ADA, Inc.

460 HORIZON DR. SUITE 400 | SUWANEE, GA 30024 | PHONE: 770-614-6101 | FAX: 770-614-6069 | info@omix-ada.com

HD Hinge Casting PATENT PENDING

Important Safety Information

Your Rugged Ridge® Tire Carrier is intended to increase the utility and enjoyment of your Jeep® by providing easy access to your rear cargo area and secure mounting of your off-road spare tire. Before installation, please take a moment to review the following safety information and installation instructions. Important safety information is generally preceded by one of three signal words indicating the relative risk of injury. The signal words mean:

! WARNING

A hazardous situation which, if not avoided, could result in serious injury or death. **You can be killed or seriously hurt if you do not follow instructions.**

! CAUTION

A hazardous situation which, if not avoided, could result in minor or moderate injury. **You can be moderately hurt and may also suffer property damage if you do not follow instructions.**

NOTICE

Careful attention is required to this instruction or operation, but does not generally relate to personal injury. Damage to your product or other property may result if you do not follow instructions.

Installation Instructions

To reduce risk of personal injury during assembly and use of this product:

- Wear gloves and safety glasses during installation.
- Tire Carrier and spare tire/wheel are heavy. Use jack or seek assistance when lifting, fastening parts, or installing wheel/tire to carrier.
- Tire Carrier is subject to vibration and shock loads from on and off road use. Regularly inspect carrier and lug nuts fastening spare to carrier. Do not use and repair if damaged. Use thread locker and keep lug nuts torqued to 80 ft./lbs.



OMIX-ADA, Inc.

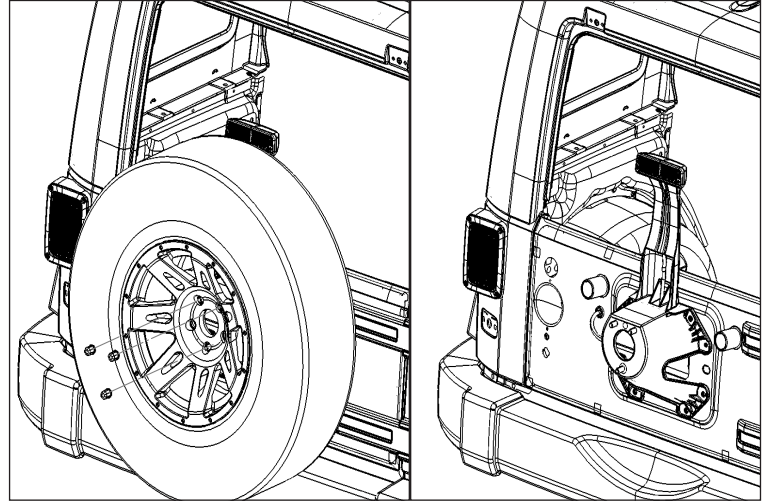
460 HORIZON DR. SUITE 400 | SUWANEE, GA 30024 | PHONE: 770-614-6101 | FAX: 770-614-6069 | info@omix-ada.com

HD Hinge Casting PATENT PENDING

1. Take off spare tire by removing the 3 lug nuts using a 3/4" deep socket.

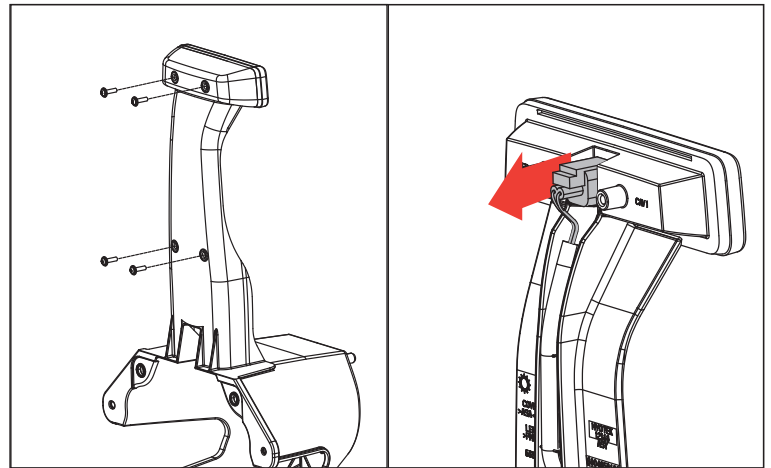


Have another person help lift the tire off of the carrier.

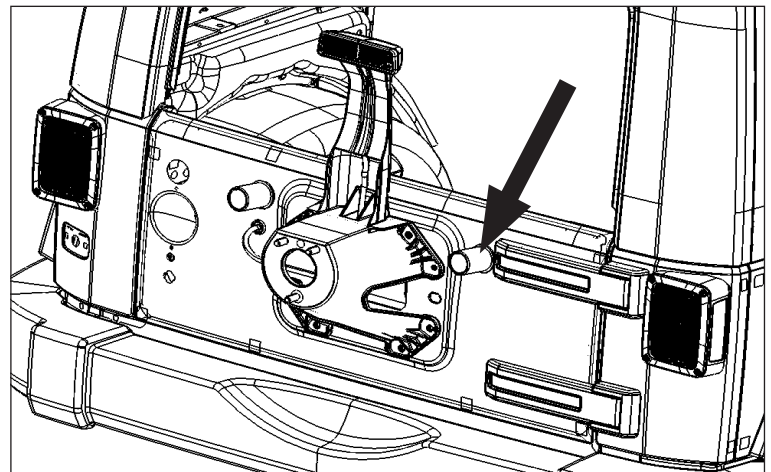


2. Open the tailgate. Using a T-20 Torx bit, remove 4 torx head screws that attach light to factory tire mount. Pull light away from tire mount.

3. Remove connector by pushing down on tab and pulling. Set light aside, it will be used later during installation. Place connector and wires off to side to not interfere with Tire Carrier installation.



4. Twist and pull rubber bumper to remove from right side of tailgate only.



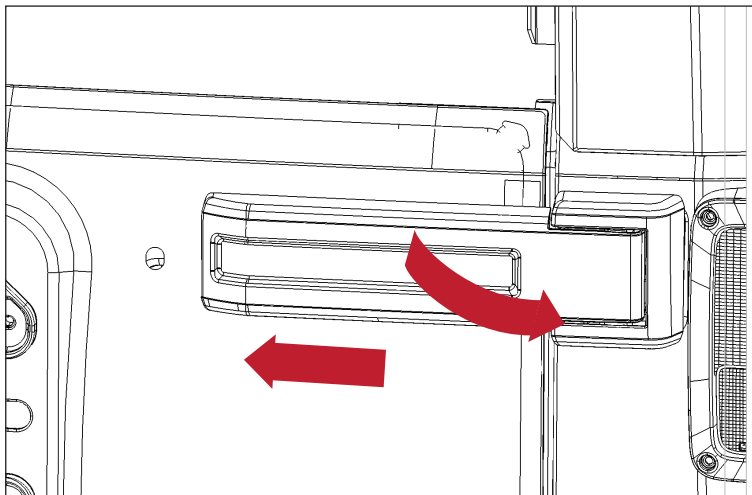


OMIX-ADA, Inc.

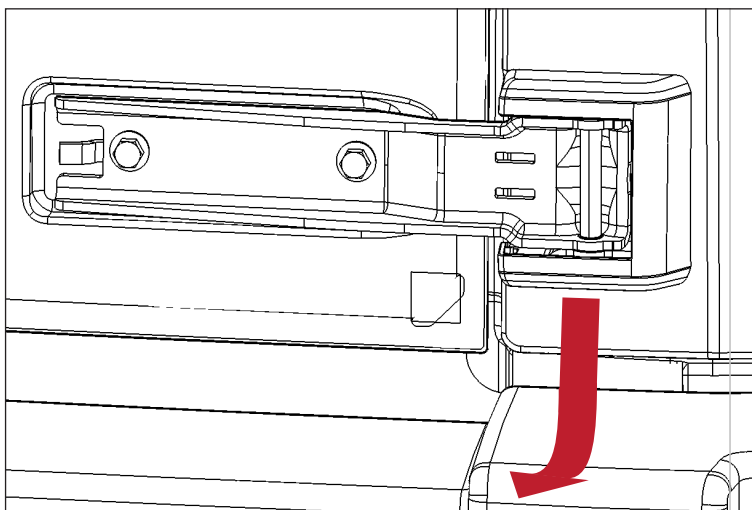
460 HORIZON DR. SUITE 400 | SUWANEE, GA 30024 | PHONE: 770-614-6101 | FAX: 770-614-6069 | info@omix-ada.com

HD Hinge Casting PATENT PENDING

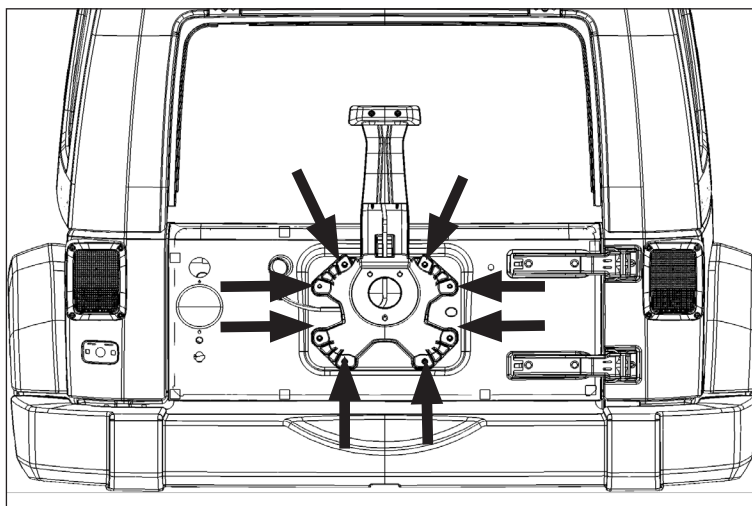
5. Remove plastic hinge covers. For the long hinge covers, pull away from the vehicle and to the left.



6. Remove plastic clips by pulling lower portion down and away from vehicle.



7. Remove the stock tire carrier and brake light holder by removing the 8 bolts indicated using a 13mm socket.





OMIX-ADA, Inc.

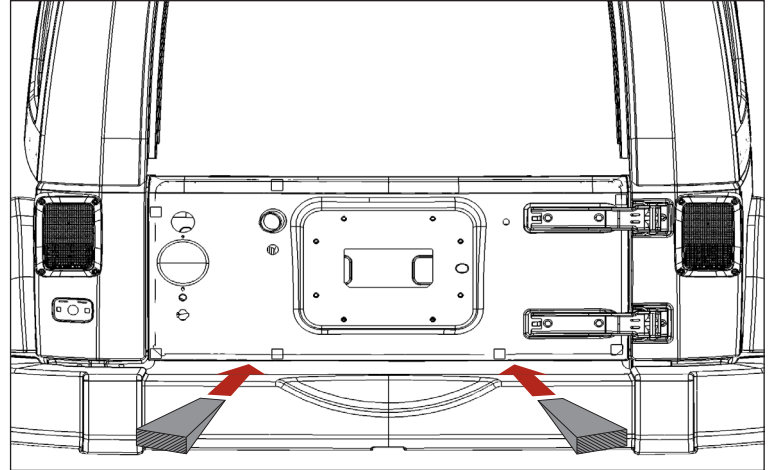
460 HORIZON DR. SUITE 400 | SUWANEE, GA 30024 | PHONE: 770-614-6101 | FAX: 770-614-6069 | info@omix-ada.com

HD Hinge Casting PATENT PENDING

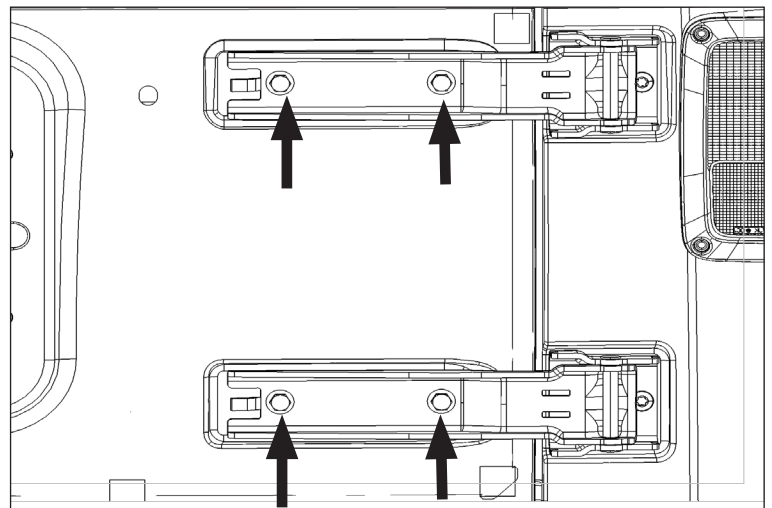
8. Ensure tailgate is fully closed and locked. On both sides of tailgate, place shims between bumper and tailgate to hold tailgate in position while removing stock hinges.

Shims can be blocks of wood, wedged shims, etc. that can be made to fit snugly and securely between bumper and tailgate.

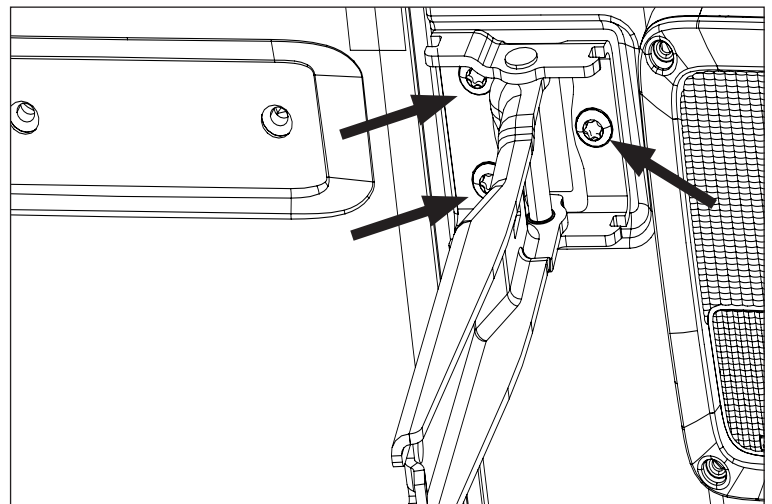
NOTICE Lock Tailgate. Do not open or move tailgate while hinges are removed.



9. Using 13mm socket, remove tailgate hinges from tailgate by removing the 4 bolts indicated on right.



10. Flip hinges to open position. Using a T-50 bit, unscrew stock hinges from vehicle removing the screws indicated at right. This may require using a 10-inch extension with the T-50 bit in order to reach the screws.



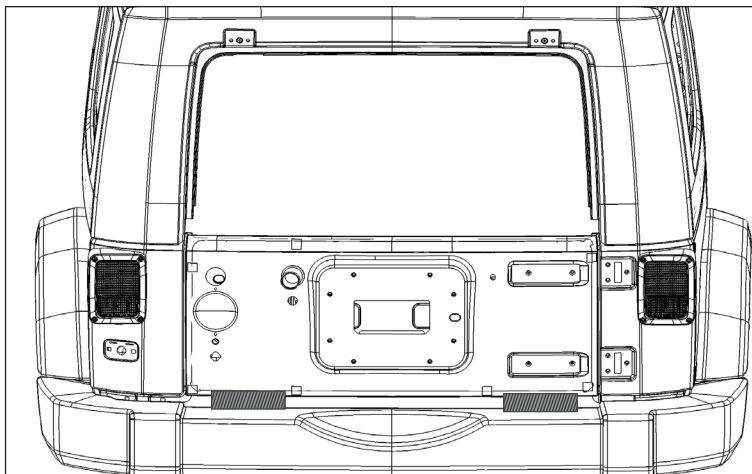


OMIX-ADA, Inc.

460 HORIZON DR. SUITE 400 | SUWANEE, GA 30024 | PHONE: 770-614-6101 | FAX: 770-614-6069 | info@omix-ada.com

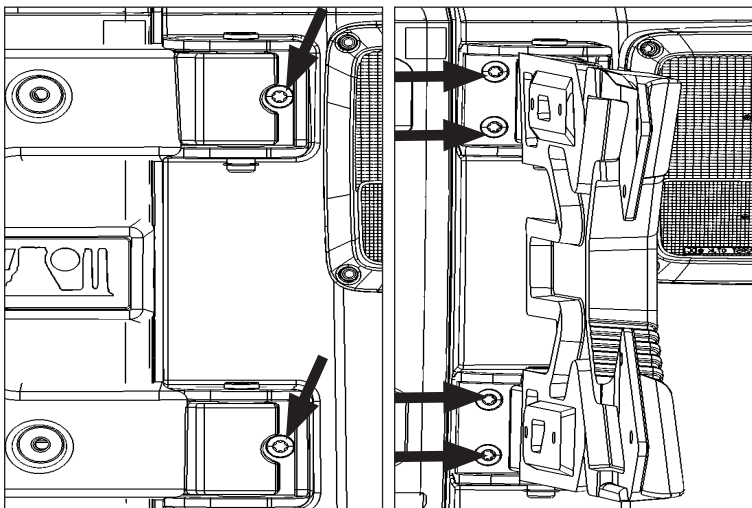
HD Hinge Casting PATENT PENDING

11. Thoroughly clean any dirt, debree, and corrosion from tailgate and quarter panel where HD Hinge Casting and tire carrier will mount. Painting or priming bare metal under stock hinges is optional, but reccomended, especially if corrosion is present.

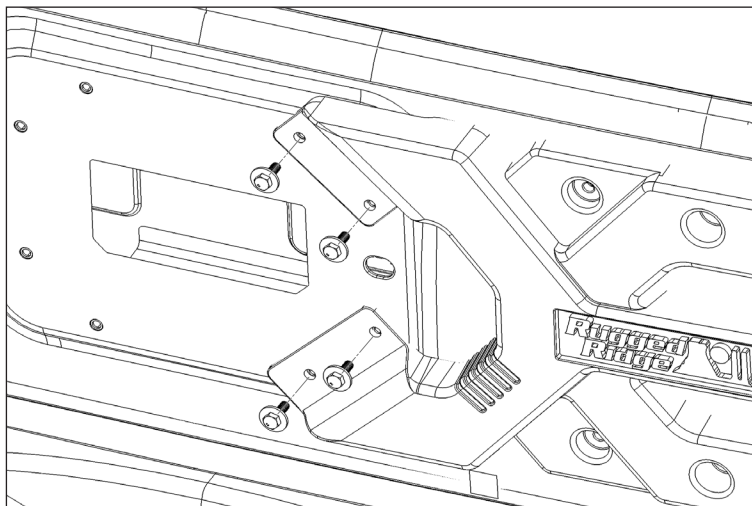


12. Place HD Hinge Casting in position. Reusing 6 factory screws, fasten hinge brackets to vehicle quarter panel. Attach outside screw first, then swing hinge open and install remaining four screws.

Do not fully tighten.



13. Re-using factory bolts and washers removed in step 6, loosely attach right side of HD Hinge Casting.



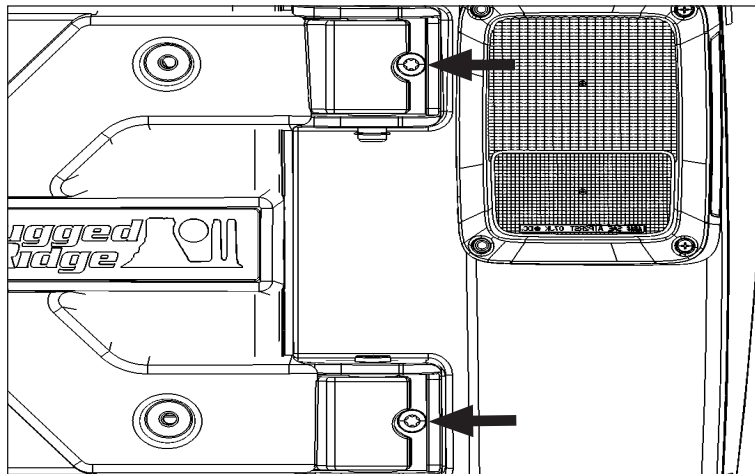


OMIX-ADA, Inc.

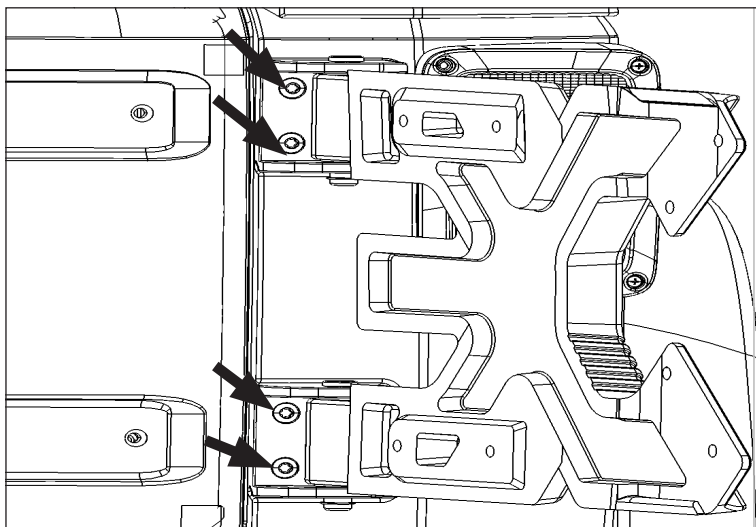
460 HORIZON DR. SUITE 400 | SUWANEE, GA 30024 | PHONE: 770-614-6101 | FAX: 770-614-6069 | info@omix-ada.com

HD Hinge Casting PATENT PENDING

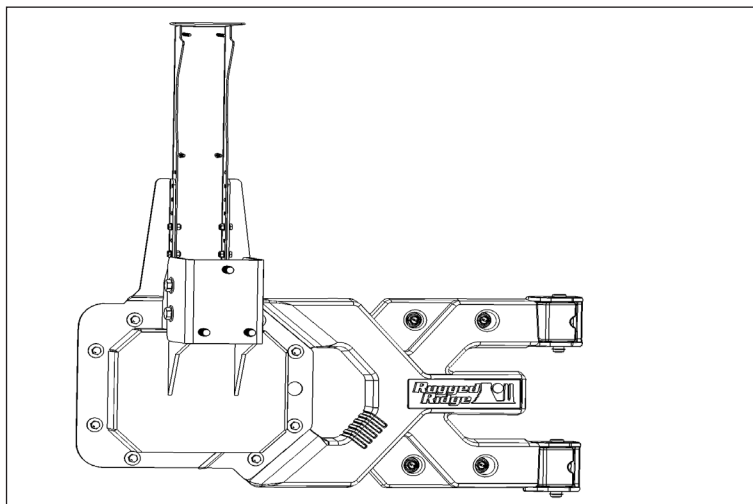
14. Fully tighten outside hinge bracket bolts.



15. Remove the 4 bolts/washers from Step 12. Swing HD Hinge Casting open, making sure not to move the tailgate. Tighten the 4 remaining Torx Head bolts on hinge brackets. Return to closed position.



16. If installing the **Rugged Ridge HD Wheel Mount (Part# 11546.52)** with HD Hinge Hinge, stop here and refer to **Step 5** of HD Wheel Mount Instructions.



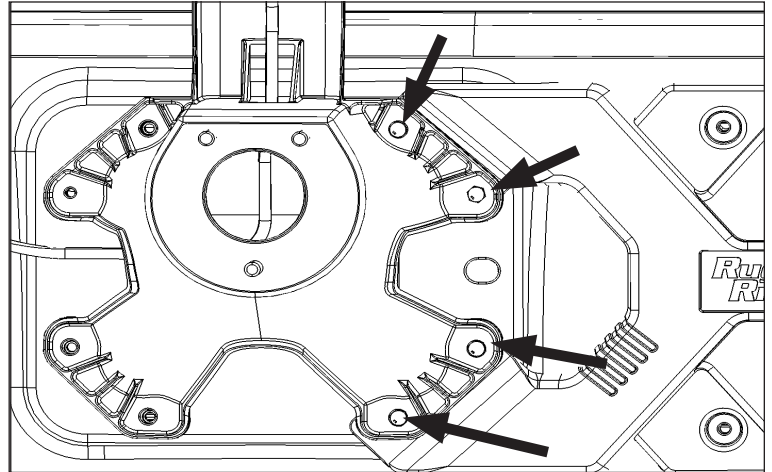


OMIX-ADA, Inc.

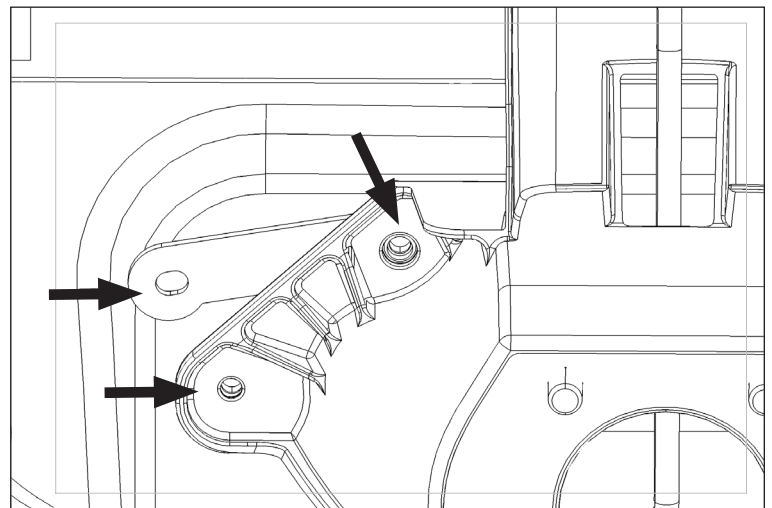
460 HORIZON DR. SUITE 400 | SUWANEE, GA 30024 | PHONE: 770-614-6101 | FAX: 770-614-6069 | info@omix-ada.com

HD Hinge Casting PATENT PENDING

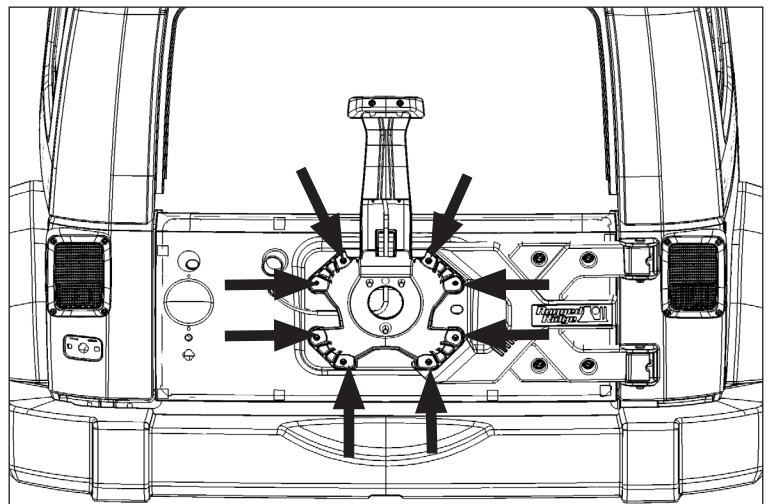
17. Align tire carrier with tailgate bolt holes and begin threading the four factory bolts on the right hand side of the OE tire carrier. Do not fully tighten.



18. Slide spacer plate between tailgate and top left corner of the OE tire carrier. Loosely re-install factory bolts and washers. Repeat for bottom left corner. Some slight shifting of HD Hinge Casting may be required to re-install all 8 tire carrier bolts.



19. Once all bolts are threaded, tighten the 8 bolts around the tire carrier.





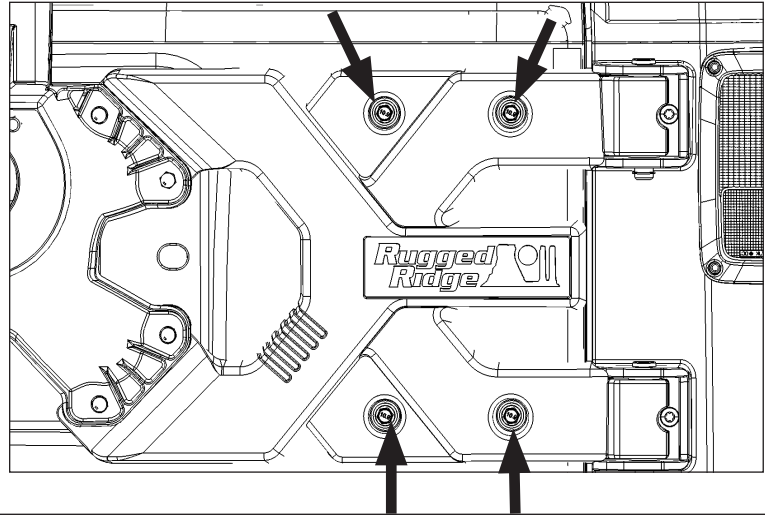
OMIX-ADA, Inc.

460 HORIZON DR. SUITE 400 | SUWANEE, GA 30024 | PHONE: 770-614-6101 | FAX: 770-614-6069 | info@omix-ada.com

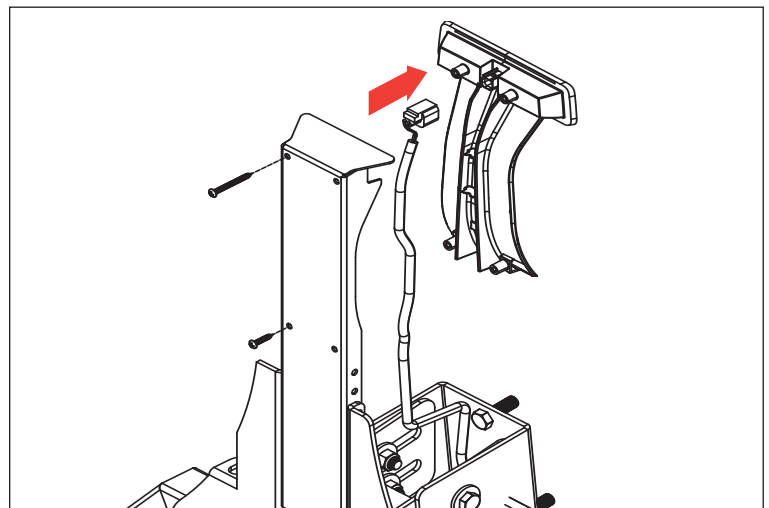
HD Hinge Casting PATENT PENDING

20. Using a 13mm socket, install the 4 supplied hex bolts and washers to fasten the hinge body to tailgate. Use red thread locker on bolt threads prior to installation, and fully tighten bolts before thread locker dries.

Shims can now be removed.



21. Feed the third brake light wire back through the OE tire carrier and reinstall factory brake light.



22. Re-install spare tire and factory lug nuts. Use a torque wrench with a 3/4" socket to tighten the lug nuts to 80 lb/ft.

CAUTION Have another person help lift the tire onto the carrier.

WARNING Failure to tighten the lug nuts to the proper torque specification of 80 lb/ft could result in serious injury or property damage.

