

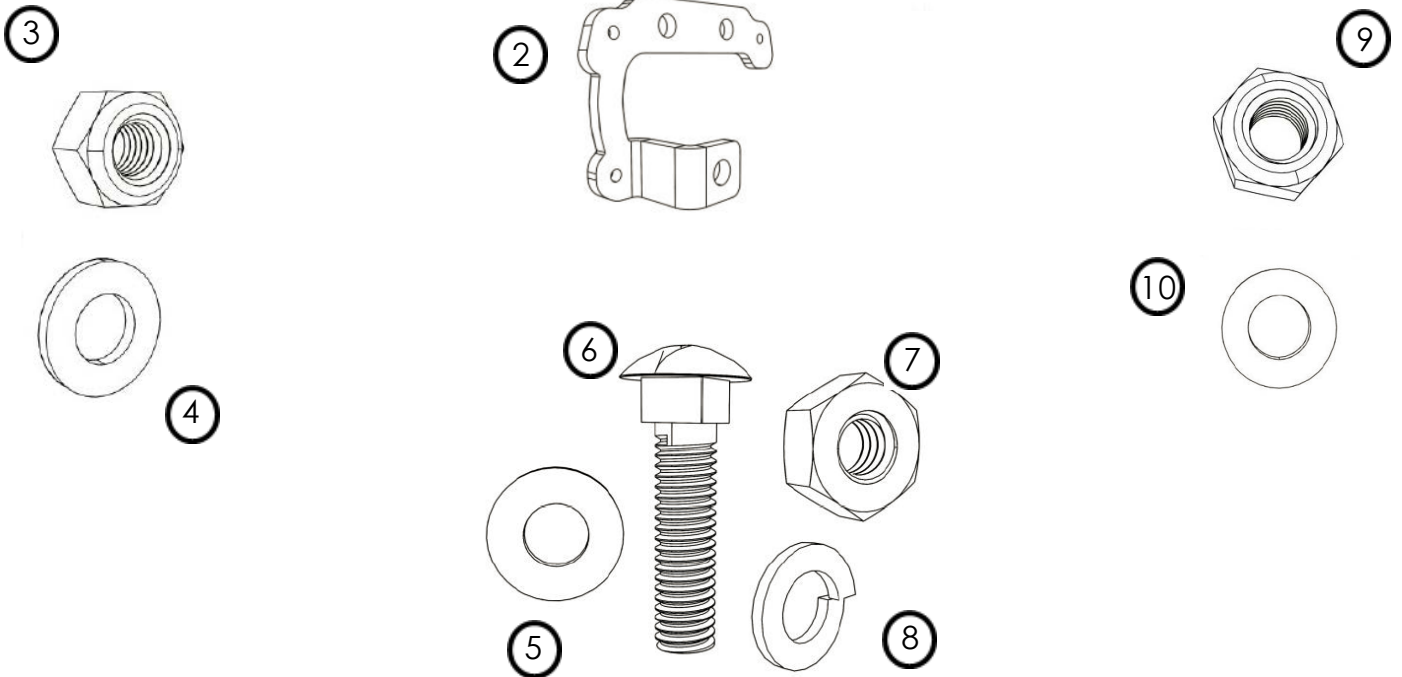
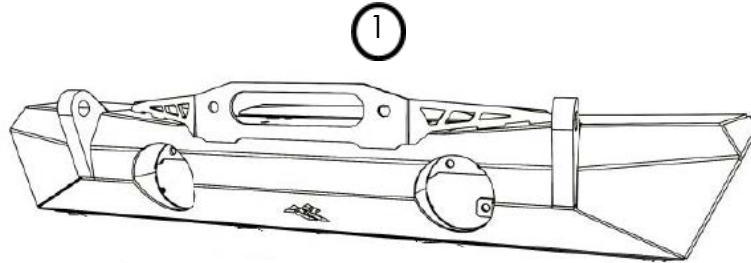


OMIX-ADA, Inc.

Part# 11541.19

460 HORIZON DR. SUITE 400 | SUWANEE, GA 30024 | PHONE: 770-614-6101 | FAX: 770-614-6069 | info@omix-ada.com

# XOR Stubby Bumper, Front, No Skid Plate; JK, JL & JT



## Components

- |  |                             |
|--|-----------------------------|
| 1. XOR Stubby Bumper, Front, No Skid Plate.....(1) | 7.M4 Hex Nut.....(8)        |
| 2. Sport Fog Light Mounting Bracket.....(2)        | 8.M4 Lock Washer.....(8)    |
| 3. M10 NyLock Nut.....(2)                          | 9.M12 NyLock Nut.....(6)    |
| 4. M10 Flat Washer.....(2)                         | 10. M12 Flat Washer.....(6) |
| 5. M4 Flat Washer.....(8)                          |                             |
| 6. M4 Carriage Bolt.....(8)                        |                             |

### OMIX-ADA® TECHNICAL SUPPORT

PHONE: M-F 8am - 5pm EST 1-800-449-6649 | EMAIL: techsupport@omix-ada.com

FOR WARRANTY INFORMATION VISIT: [www.Omix-Ada.com](http://www.Omix-Ada.com)

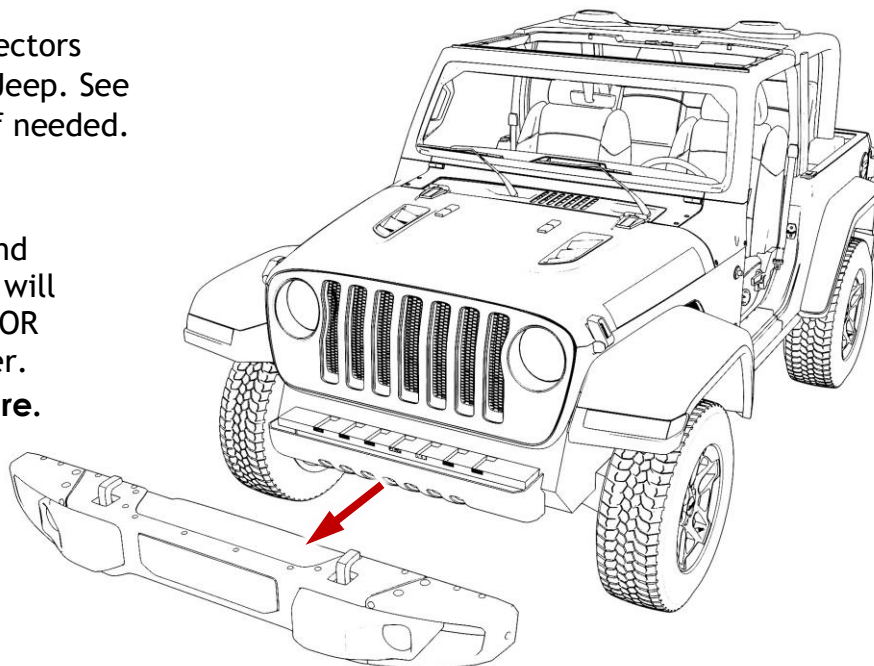
# XOR Stubby Bumper, Front, No Skid Plate; JK, JL & JT

## INSTALLATION INSTRUCTIONS

1. Disconnect the fog light harness connectors and remove the OE bumper from the Jeep. See Jeep documentation for instructions if needed.

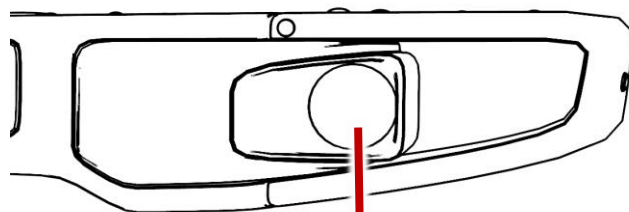
### NOTICE

JL OE Rubicon Steel Bumper fog lights and Sport LED fog lights will not work with the XOR Stubby Front Bumper. JL is shown in picture.

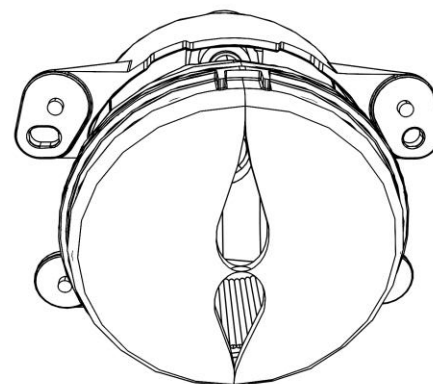
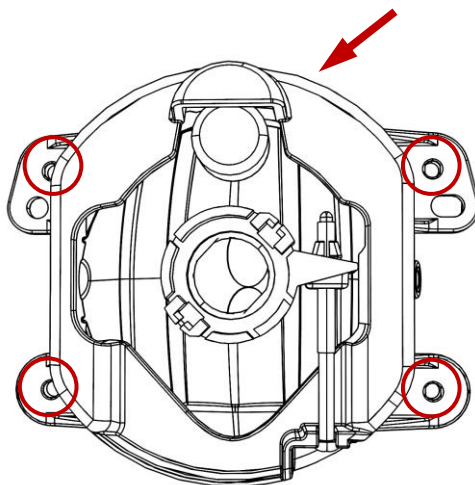


## 2. JK and JL Sahara

If installing OE fog lights into the XOR bumper, remove the OE fog lights from the OE bumper (see Jeep documentation if needed). Use a 17/32 drill bit to enlarge the mounting holes on the fog lights.

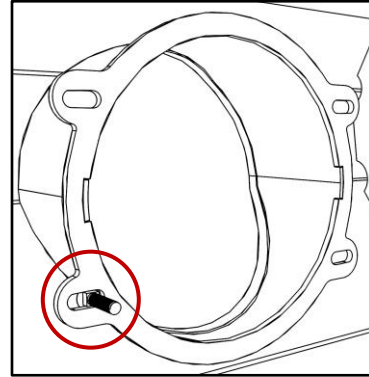


ENLARGE HOLES  
WITH 17/32  
DRILL BIT



## XOR Stubby Bumper, Front, No Skid Plate; JK, JL & JT

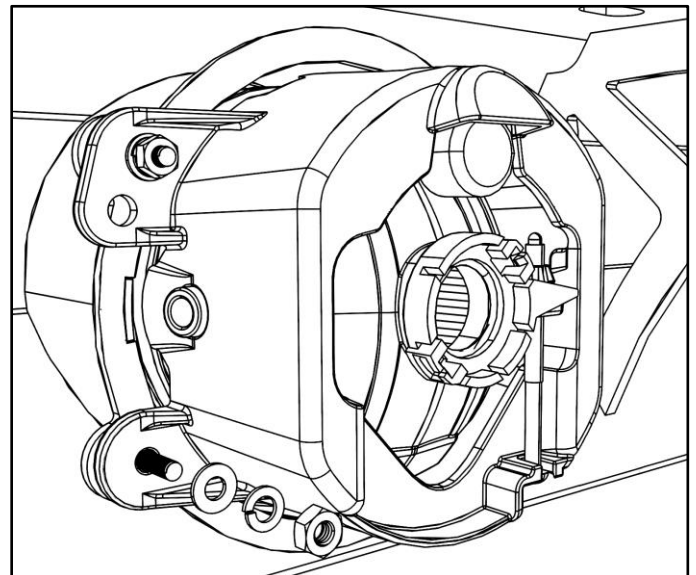
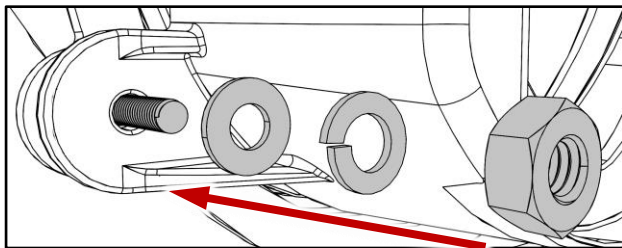
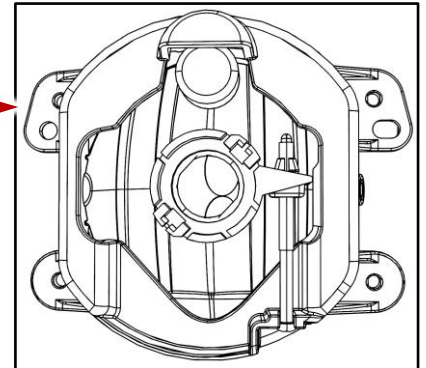
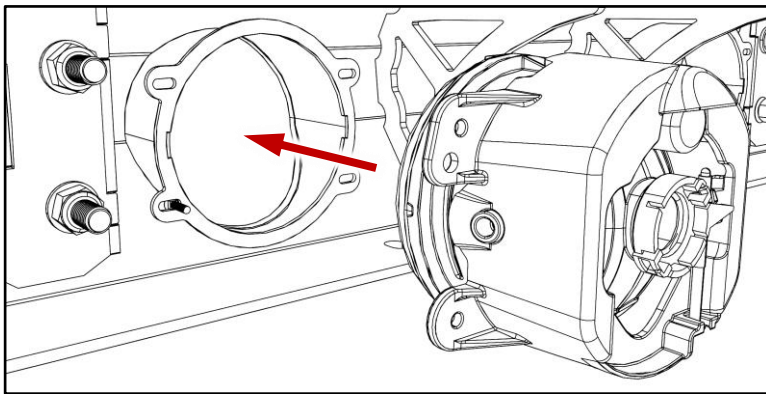
3. Insert one (1) M4 Carriage Bolt from the bottom up into one of the mounting points on the upper component of the XOR Stubby Front Bumper. Attach the fog light and secure it by installing one (1) M4 Flat Washer, one (1) M4 Lock Washer, and one (1) M4 Hex Nut, in that order. Repeat for the other three mounting points. Repeat process for the other fog light.



### NOTICE

Do not overtighten the hardware on the plastic housing, as this can cause damage.

THIS SIDE UP



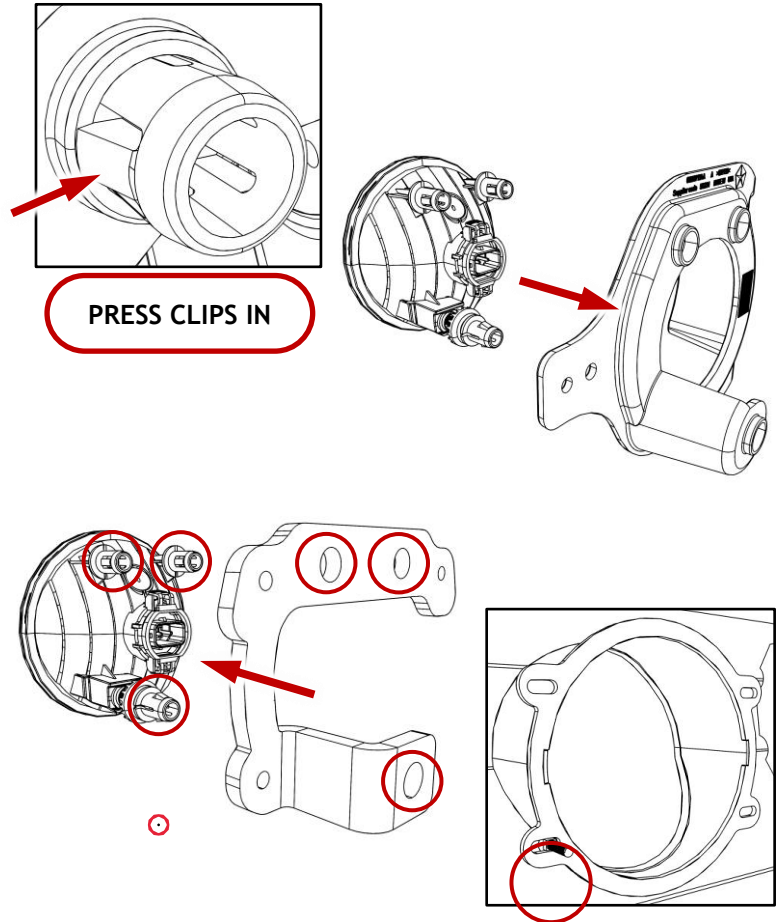


# XOR Stubby Bumper, Front, No Skid Plate; JK, JL & JT

## 4. JL Sport

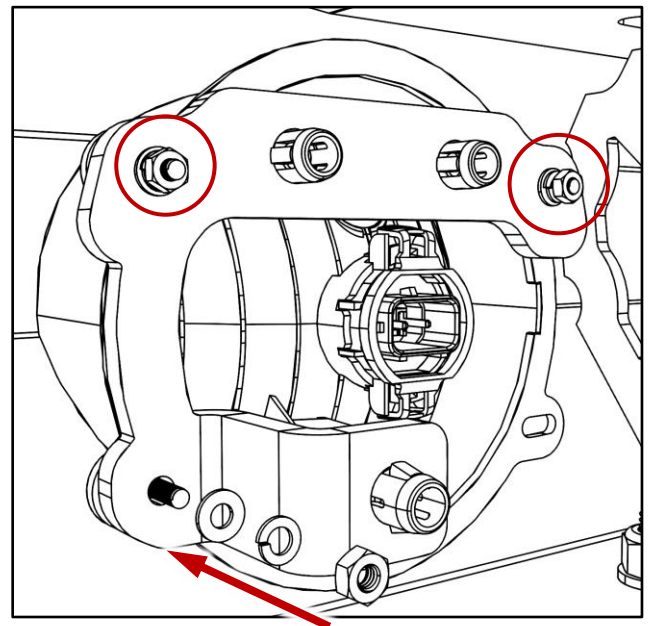
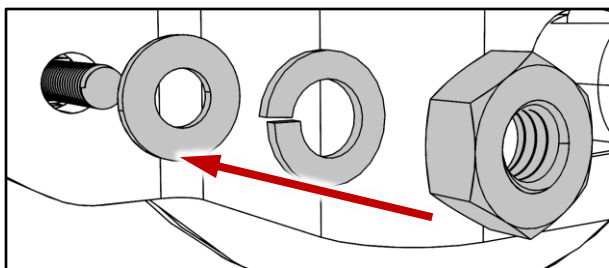
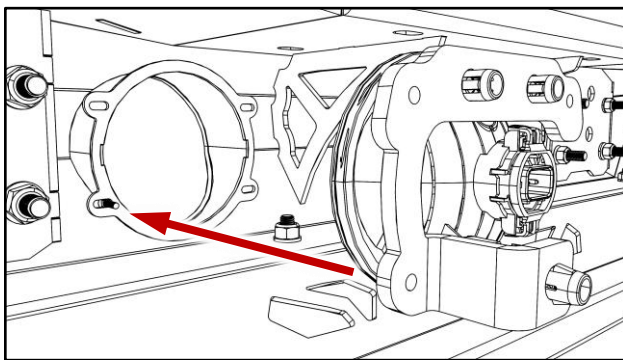
To install the Sport fog lights, first remove the OE bracket by pressing in on the protrusion clips and pulling it off. Mount the Sport fog light to the three mounting points on the bracket. The protrusions on the fog light will snap into place on the bracket. Insert one (1) M4 Carriage Bolt from the bottom up into one of the mounting points on the upper component of the XOR Stubby Front Bumper.

Attach the Sport fog light and secure it by installing one (1) M4 Flat Washer, one (1) M4 Lock Washer, and one (1) M4 Hex Nut, in that order. Repeat for the other two mounting points. Repeat process for other fog light.



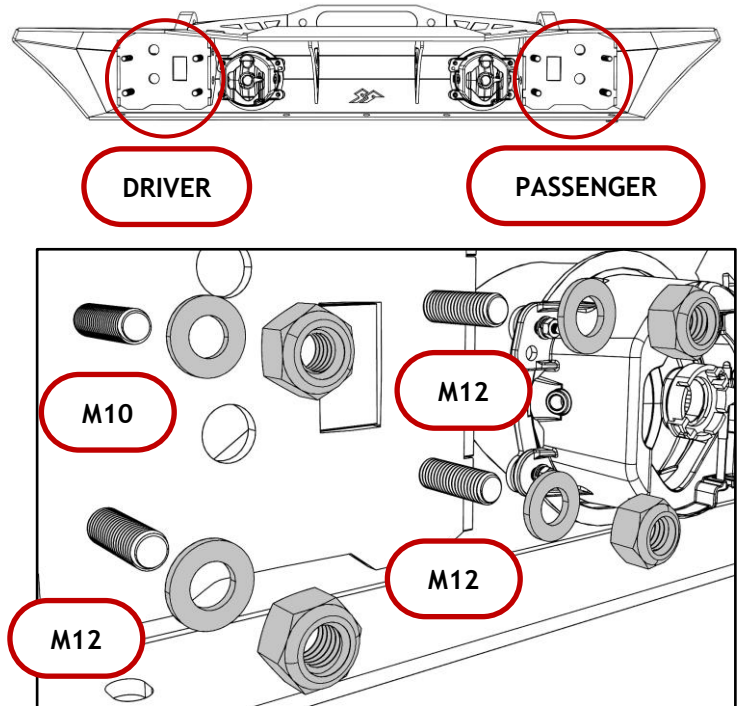
### NOTICE

Do not overtighten the hardware on the plastic housing, as this can cause damage.



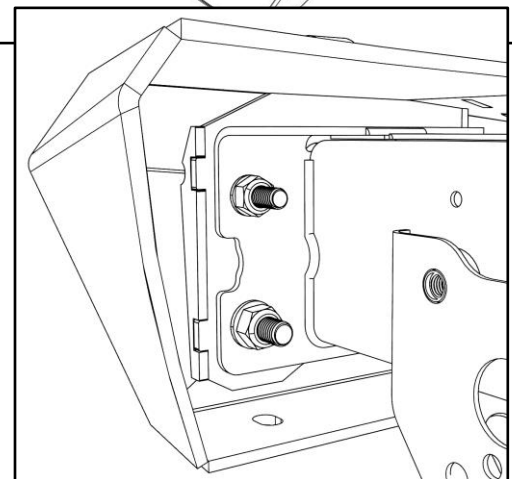
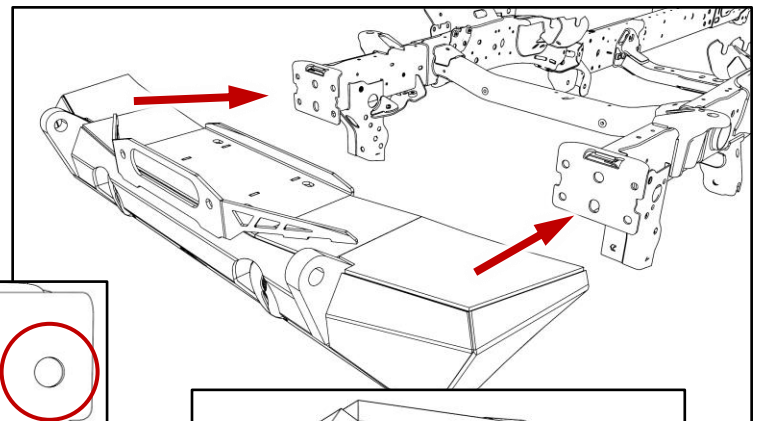
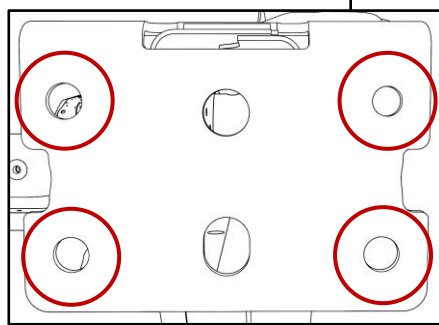
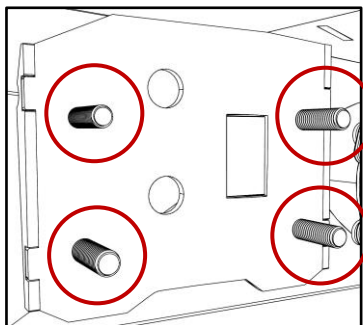
# XOR Stubby Bumper, Front, No Skid Plate; JK, JL & JT

5. Observe the four studs on each end of the upper component of the bumper. On the driver side, the top left stud will receive one (1) M10 Flat Washer and one (1) M10 NyLock Nut after the bumper has been attached to the frame horn. The pictures shown depict the bumper and hardware before it has been attached. On the passenger side, the top right stud will receive the same hardware. The other three bolts on each end will receive one (1) M12 Flat Washer and one (1) M12 NyLock Nut each.



INVERSE FOR PASSENGER SIDE

6. Attach the upper component of the XOR Stubby Bumper to the frame horn. Slide the studs into the mounting points. Attach the hardware in the configuration shown in Step 5 to secure the bumper to the frame horn. Tighten all hardware.



## XOR Stubby Bumper, Front, No Skid Plate; JK, JL & JT

7. Reattach the Jeep wire harness fog light connectors to the connection points on the fog lights. Zip-tie the harness as needed to prevent any dangling or pinching.

