



PHD220

## Bullet-Style AHD / CVBS Camera with Parking Lines

### User Manual



## Introduction

Thank you for purchasing your EchoMaster Pro automotive camera.

EchoMaster Pro cameras are designed to improve safety during driving by providing high-quality images of surrounding areas and obstacles in the vicinity of the vehicle. They will also, improve vehicle maneuvering capability by displaying blind spots not normally visible to the driver.

Please ensure you read and understand all aspects of this manual before fitting or using your EchoMaster Pro Camera. Choose a suitable mounting place dependent on the application. Ensure that there are no wiring harnesses or hose/pipes located behind this panel before drilling.

## Key Features

- ▶ Selectable Analog High Definition (AHD) or Standard (CVBS) Resolution
- ▶ 1/4" CMOS Sensor
- ▶ Operates at 0.5 LUX
- ▶ IP67 Rated
- ▶ 170 Degree Viewing Angle
- ▶ Selectable Mirroring & Parking Lines

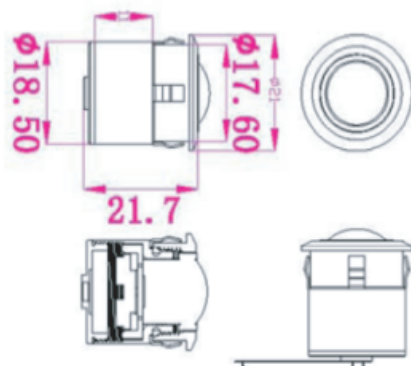
## Specifications

PHD220	
Sensor	1/4" CMOS
LEDs	0
Illumination	0.5 LUX
Viewing Angle	170 degrees
Mirror Image	YES
Normal Image	YES
Water/Debris-Proof	IP67
Audio	NO
Power Supply	9-16V DC
Current	<50mA
Working Temperature	-30°C - +70°C
Dimensions (mm)	D (22) x W (18) x H (18)
System	CVBS / AHD
TV Lines (CVBS/AHD)	480 / 720
Resolution (CVBS/AHD)	648 x 488 / 1280 x 720

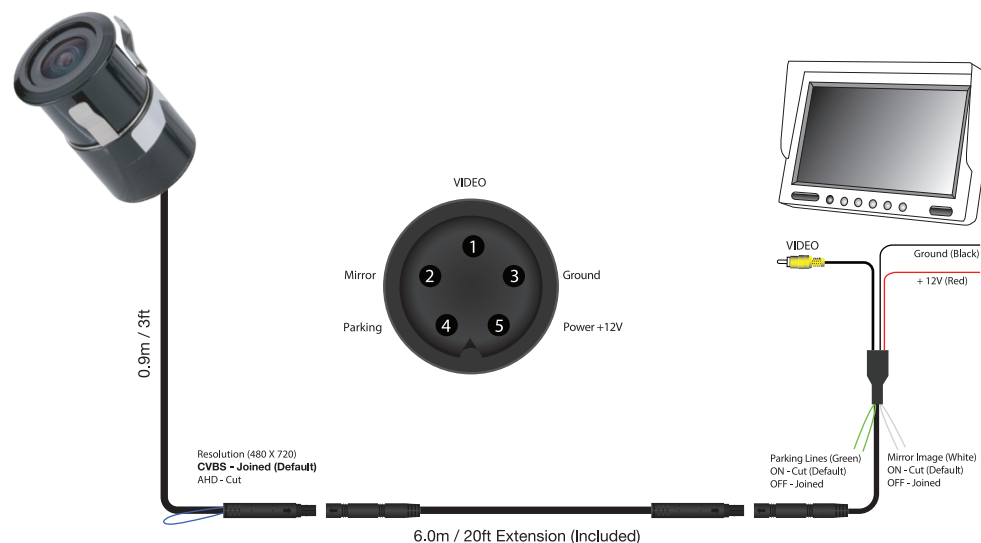
## Box Contents

- ▶ Camera
- ▶ Wiring Harness
- ▶ Hole Saw
- ▶ Mounting Hardware
- ▶ Manual

## Dimensions



## Wiring Diagram



EchoMaster.com  
EchoMaster is a Power Brand of AAMP Global



15500 Lightwave Drive, Suite 202  
Clearwater, Florida 33760  
email - support@aampglobal.com (US)

