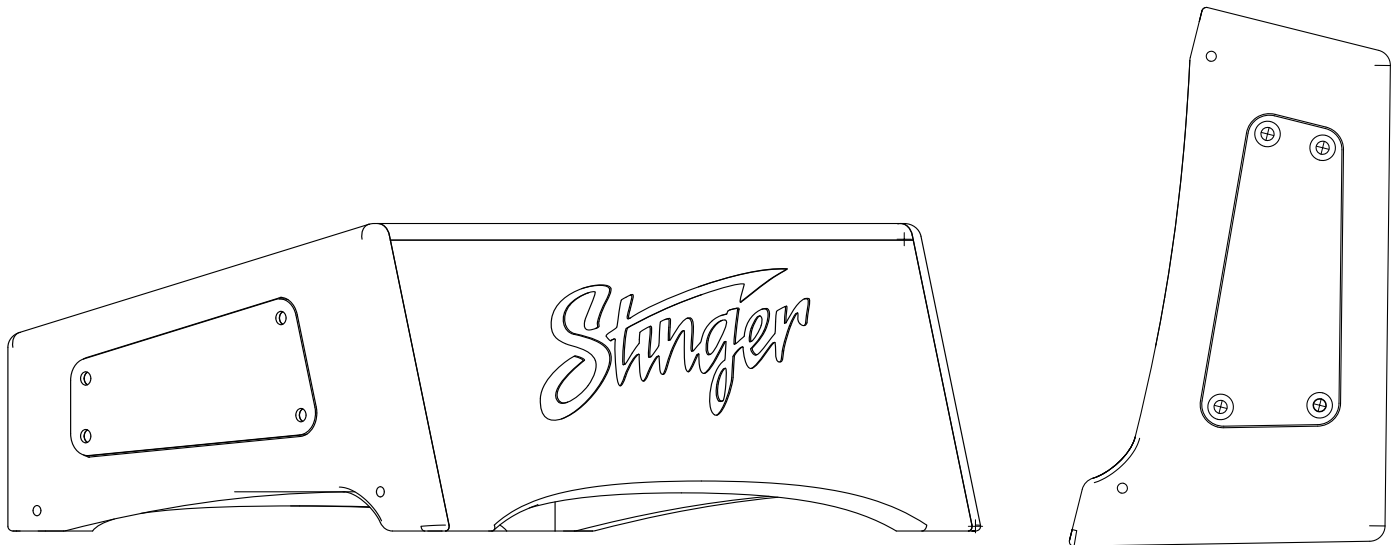




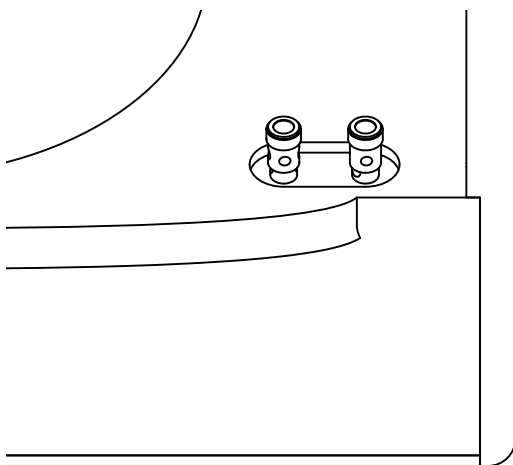
**TXTRB10**

**10" TRUCK ENCLOSURE**

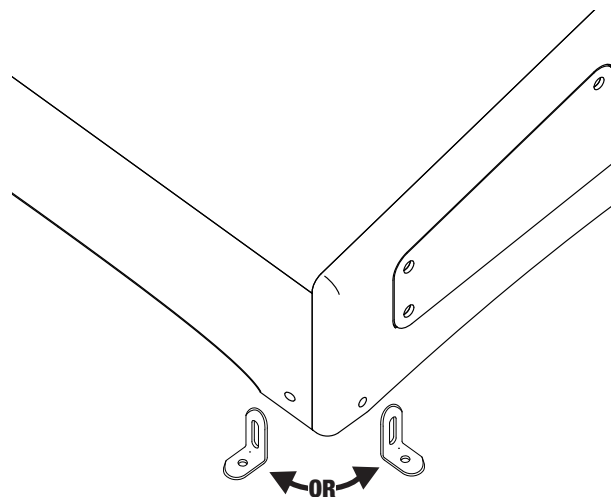


**Position the enclosure.**

Ensure the enclosure does not interfere with seat movement or seat belt operation. Insulating rubber pads should be installed at mounting contact points if necessary.



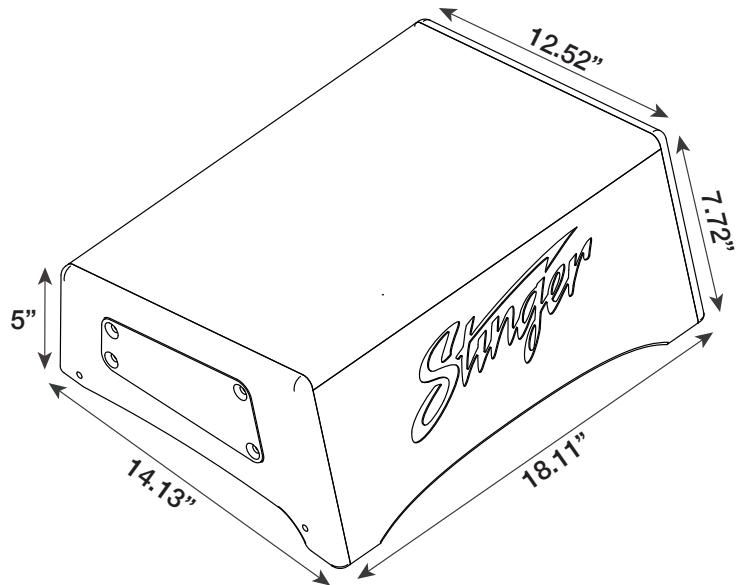
**Attach speaker wire.**  
12-18GA speaker wire.  
RED = Speaker POSITIVE (+)  
BLACK = Speaker NEGATIVE (-)



**Secure enclosure.**  
Brackets can be attached to either the side or back panel using the supplied M6 machine screws.

# SPECIFICATIONS

Model Number	TXTRB10
Speaker Model	P-TX10D4
Subwoofer Size	10"
Voice Coil	2.5" Dual 4 ohm
DC Resistance (Re)	2 ohm
Sensitivity 1W/M (SPL)	86.3 dB
Frequency Response	20Hz - 250Hz
RMS Power	400 watts
Peak Power	800 watts
Sealed Enclosure	
Height <sup>1</sup>	5"
Height <sup>2</sup>	7.72"
Width	18.11"
Depth <sup>1</sup>	12.52"
Depth <sup>2</sup>	14.13"



## Limited Warranty

Stinger warrants this product to be free of defects in materials and workmanship for a period of one (1) years from the original date of purchase. This warranty is not transferable and applies only to the original purchaser from an authorized Stinger dealer in the United States of America only. Should service be necessary under this warranty for any reason due to manufacturing defect or malfunction, Stinger will (at its discretion), repair or replace the defective product with new or remanufactured product at no charge. Damage caused by the following is not covered under warranty: accident, misuse, abuse, product modification or neglect, failure to follow installation instructions, unauthorized repair attempts, misrepresentations by the seller. This warranty does not cover incidental or consequential damages and does not cover the cost of removing or reinstalling the unit(s). Cosmetic damage due to accident or normal wear and tear is not covered under warranty.

## INTERNATIONAL WARRANTIES:

Products purchased outside the United States of America are covered only by that country's Authorized Stinger reseller and not by Stinger. Consumers needing service or warranty information for these products must contact that country's reseller for information.

## Technical Support

Phone: 727-592-5991

Email: support@stingerelectronics.com

Chat: stingerelectronics.com

IG-TXTRB10 REV 033021

© 2021 AAMP Global. All rights reserved.



**Stinger** is a Power Brand of AAMP Global  
 15500 Lightwave, Clearwater, Florida 33760  
 Phone: 888-228-5560