



MC112D2
12-INCH SUBWOOFER
DUAL 2 OHM VOICE COILS

MC112D4
12-INCH SUBWOOFER
DUAL 4 OHM VOICE COILS

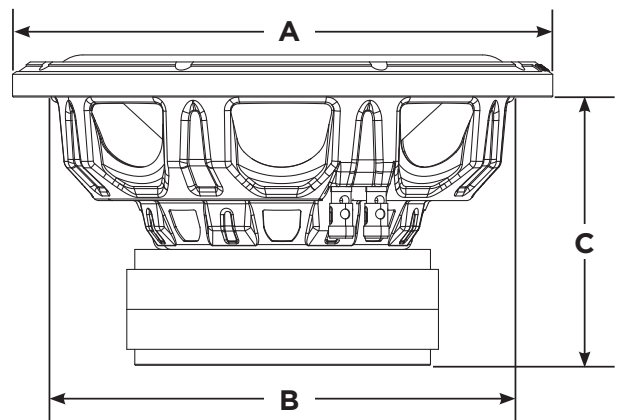
Specifications

MODEL	MC112D2	MC112D4
Nominal Impedance (Z)	1.8 ohms	3.2 ohms
DC Resistance (Re)	3.6 ohms	6.4 ohms
Resonance Frequency (Fs)	39.7370 Hz	40.5708 Hz
Piston Area (Sd)	0.0471 m ²	0.0471 m ²
Force Factor (BL)	16.2026 T.m	20.1450 T.m
Mechanical Q Factor (Qms)	7.3694	6.2464
Electrical Q Factor (Qes)	0.715	0.7583
Total Q Factor (Qts)	0.6517	0.6762
Sensitivity 1W/M (SPL)	85.2287	85.5047
Mechanical Compliance (Cms)	0.0768 mm/N	0.0816 mm/N
Moving Mass (Mms)	208.8276 g	188.6377 g
Linear Excursion (Xmax)	13 mm	13 mm
Volume Acoustic	23.8399 Ltr	25.3179 Ltr
Compliance (Vas)	0.842 cu ft	0.894 cu ft
Reference Efficiency (NO.)	0.20%	0.21%
Nominal Power (Pe)	700 Watts	700 Watts
Peak Power	1200 Watts	1200 Watts
Frequency Response	20-200 Hz	20-200 Hz
Voice Coil Diameter	2.5 in/63.5 mm	2.5 in/63.5 mm
Displacement	0.0885 cu ft/ 2.506 Ltr	0.0885 cu ft/ 2.506 Ltr



Dimensions

Overall Diameter (A)	12.76in / 324mm
Cut Out Diameter (B)	11.03 in / 280mm
Mounting Depth (C)	6.14 in / 156 mm



Enclosure Size (Matters)

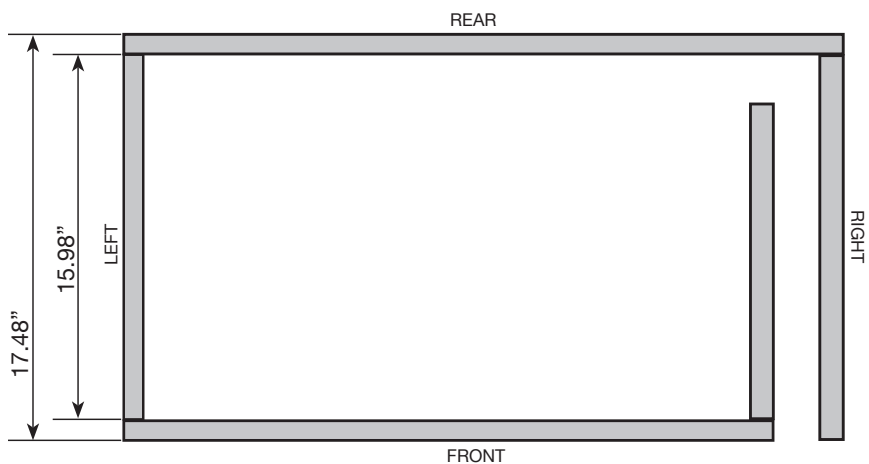
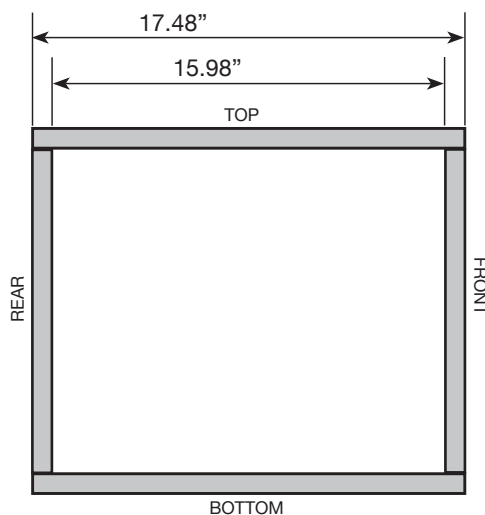
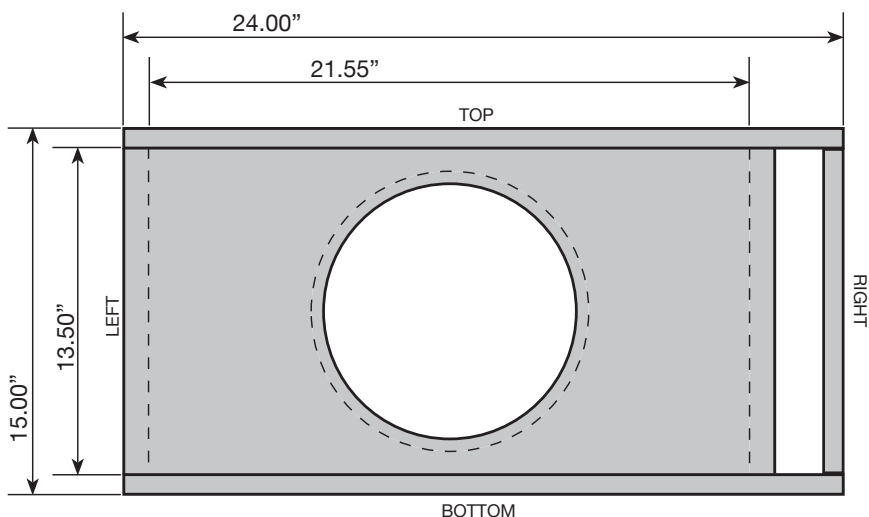
Enclosure is the fancy name for a speaker box. You can go ready-made or build your own. Ported or Sealed. To the right are the recommended enclosure size ranges stated in internal volume. Whether buying pre-made or building, try to stay within these parameters for best performance.

Recommended Sealed Internal Volume	1.0-1.40 cu.ft
Recommended Vented internal Volume w/o vent displacement	2.0-3.0 cu.ft
Recommended Vented Area	23 cu.in.
Recommended Tuning Frequency	33-38 Hz

Enclosure Example

If you're going it on your own, here's a good starting point. We recommend using .75" MDF or plywood. Screws or air staples along with strong bonding "yellow" wood working glue for construction. Be sure that the enclosure's panels are airtight at all joining seams. Lining the inside with some poly-fill to finish it off.

External Size	24" x 15" x 17.48"
Material Thickness	0.75"
Net Internal Volume	2.50 cu.ft.
Tuning Frequency	35 Hz
Port Area	23 inch ²
Port Inlet	1.70" x 13.50"
Port Length	14.37"



Material Prep Sheet

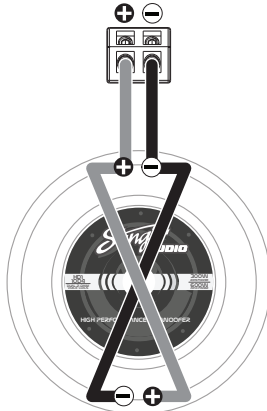
Top / Bottom	24.00" x 17.48"	2
Front	21.55" x 13.50"	1
Rear	24.00" x 13.50"	1
Left	15.98" x 13.50"	1
Right	16.73" x 13.50"	1
Port	13.53" x 13.50"	1

* Please note there are no fingers mention in the list above. Cut safe my friends.

Subwoofer Wiring Diagrams

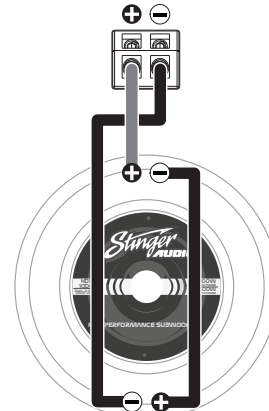
MC1 Subwoofers are Dual Voice Coil (DVC), meaning they have two positive and negative terminals per speaker. The voice coils can be wired in parallel or series or a combination of both. The subwoofer should be wired to match the amplifiers lowest impedance as stated by the amplifier manufacturer. Going below the amplifiers minimum impedance may damage the amplifier, so wire carefully. For wiring subwoofers, we recommend using 12- to 16-gauge wire.

SINGLE SUBWOOFER SYSTEM WIRED IN PARALLEL



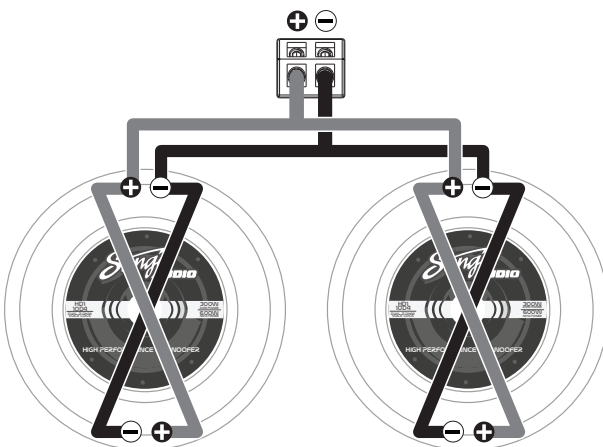
MC110D2 = 1 OHM
MC110D4 = 2 OHM

SINGLE SUBWOOFER SYSTEM WIRED IN SERIES



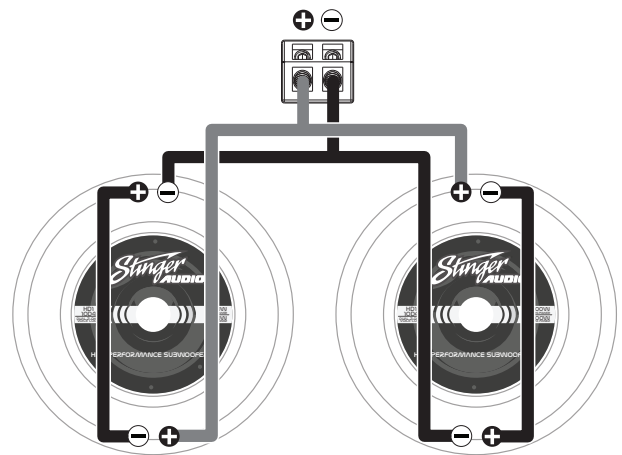
MC110D2 = 4 OHM
MC110D4 = 8 OHM

DUAL SUBWOOFER SYSTEM WIRED IN PARALLEL



MC110D2 = 1/2 OHM
MC110D4 = 1 OHM

DUAL SUBWOOFER SYSTEM WIRED IN SERIES - PARALLEL



MC110D2 = 2 OHM
MC110D4 = 4 OHM

WARNING:

Stinger Audio products are capable of producing sound levels that can permanently damage your hearing! Listen responsibly and avoid continuous exposure to high sound pressure levels. While driving, keep the volume at a level that allows you to hear outside warning sounds (sirens, horns, etc.)

LIMITED WARRANTY

Stinger warrants this product to be free of defects in materials and workmanship for a period of one (1) years from the original date of purchase. This warranty is not transferable and applies only to the original purchaser from an authorized Stinger dealer in the United States of America only. Should service be necessary under this warranty for any reason due to manufacturing defect or malfunction, Stinger will (at its discretion), repair or replace the defective product with new or remanufactured product at no charge. Damage caused by the following is not covered under warranty: accident, misuse, abuse, product modification or neglect, failure to follow installation instructions, unauthorized repair attempts, misrepresentations by the seller. This warranty does not cover incidental or consequential damages and does not cover the cost of removing or reinstalling the unit(s). Cosmetic damage due to accident or normal wear and tear is not covered under warranty.

INTERNATIONAL WARRANTIES:

Products purchased outside the United States of America are covered only by that country's Authorized Stinger reseller and not by Stinger. Consumers needing service or warranty information for these products must contact that country's reseller for information.



Please DO NOT return to seller

For help with installation, replacement parts, warranty or returns, please contact us directly at 727-732-3114 or support@stingerelectronics.com



Stinger is a Power Brand of AAMP Global
15500 Lightwave, Clearwater, Florida 33760
© 2022 AAMP Global
IG-MC112D REV 052422