



MC110D2
10-INCH SUBWOOFER
DUAL 2 OHM VOICE COILS

MC110D4
10-INCH SUBWOOFER
DUAL 4 OHM VOICE COILS

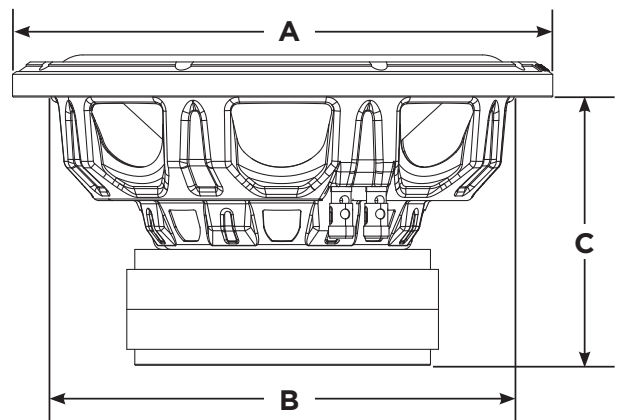
Specifications

MODEL	MC110D2	MC110D4
Nominal Impedance (Z)	1.8 ohms	3.2 ohms
DC Resistance (Re)	3.6 ohms	6.4 ohms
Resonance Frequency (Fs)	43.7395 Hz	43.7435 Hz
Piston Area (Sd)	0.0314 m ²	0.0314 m ²
Force Factor (BL)	14.8731 T.m	19.2512 T.m
Mechanical Q Factor (Qms)	7.6154	5.9288
Electrical Q Factor (Qes)	0.7363	0.6384
Total Q Factor (Qts)	0.6714	0.5763
Sensitivity 1W/M (SPL)	83.025	84.5229
Mechanical Compliance (Cms)	0.0804 mm/N	0.0984 mm/N
Moving Mass (Mms)	164.6326 g	134.5042 g
Linear Excursion (Xmax)	13 mm	13 mm
Volume Acoustic	11.0835 Ltr	13.5637 Ltr
Compliance (Vas)	0.391 cu ft	0.479 Cu ft
Reference Efficiency (NO.)	0.12%	0.17%
Nominal Power (Pe)	700 Watts	700 Watts
Peak Power	1200 Watts	1200 Watts
Frequency Response	20-200 Hz	20-200 Hz
Voice Coil Diameter	2.5 in/63.5 mm	2.5 in/63.5 mm
Displacement	0.0626 cu ft/ 1.771 Ltr	0.0626 cu ft/ 1.771 Ltr



Dimensions

Overall Diameter (A)	10.67in / 271 mm
Cut Out Diameter (B)	9.14in / 232mm
Mounting Depth (C)	5.32in / 135 mm



Enclosure Size (Matters)

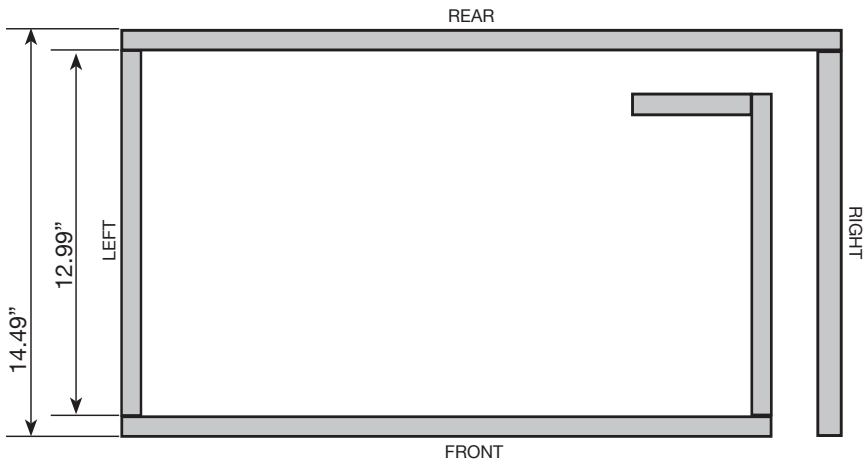
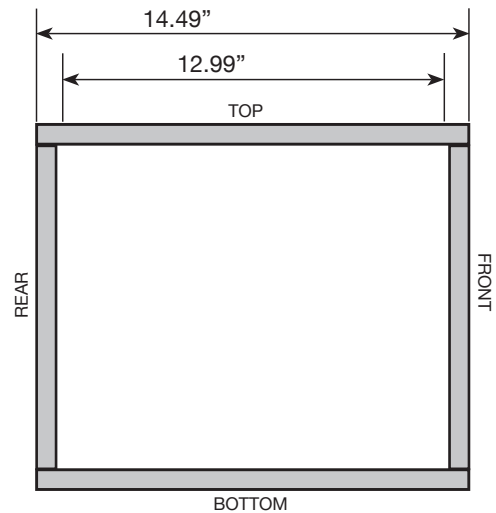
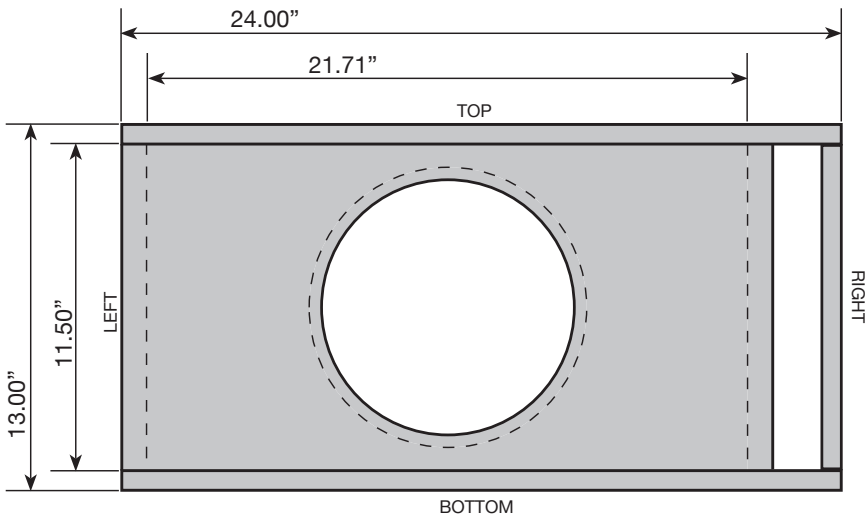
Enclosure is the fancy name for a speaker box. You can go ready-made or build your own. Ported or Sealed. To the right are the recommended enclosure size ranges stated in internal volume. Whether buying pre-made or building, try to stay within these parameters for best performance.

Recommended Sealed Internal Volume	0.75-1.0 cu.ft.
Recommended Vented internal Volume w/o vent displacement	1.50-2.20 cu.ft.
Recommended Vented Area	17.75 cu.in.
Recommended Tuning Frequency	35-40 Hz

Enclosure Example

If you're going it on your own, here's a good starting point. We recommend using .75" MDF or plywood. Screws or air staples along with strong bonding "yellow" wood working glue for construction. Be sure that the enclosure's panels are airtight at all joining seams. Lining the inside with some poly-fill to finish it off.

External Size	24" x 13" x 14.49"
Material Thickness	0.75"
Net Internal Volume	1.65 cu.ft.
Tuning Frequency	35 Hz
Port Area	17.75 inch ²
Port Inlet	1.54" x 11.50"
Port Length	18.52"



Material Prep Sheet

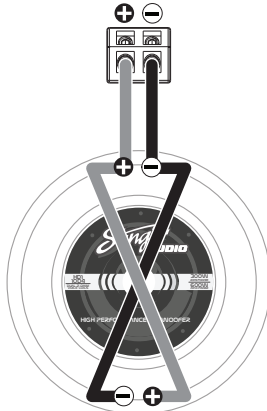
Top / Bottom	24.00" x 14.49"	2
Front	21.71" x 11.50"	1
Rear	24.00" x 11.50"	1
Left	12.99" x 11.50"	1
Right	13.74" x 11.50"	1
Port 1	11.45" x 11.50"	1
Port 2	4.03" x 11.50"	1

* Please note there are no fingers mention in the list above. Cut safe my friends.

Subwoofer Wiring Diagrams

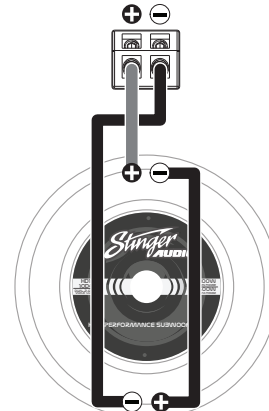
MC1 Subwoofers are Dual Voice Coil (DVC), meaning they have two positive and negative terminals per speaker. The voice coils can be wired in parallel or series or a combination of both. The subwoofer should be wired to match the amplifiers lowest impedance as stated by the amplifier manufacturer. Going below the amplifiers minimum impedance may damage the amplifier, so wire carefully. For wiring subwoofers, we recommend using 12- to 16-gauge wire.

SINGLE SUBWOOFER SYSTEM WIRED IN PARALLEL



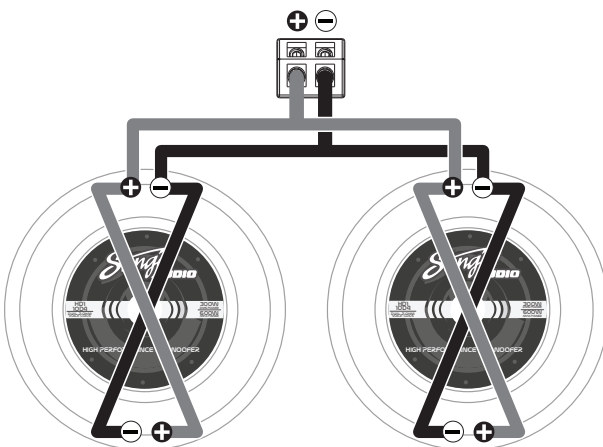
MC110D2 = 1 OHM
MC110D4 = 2 OHM

SINGLE SUBWOOFER SYSTEM WIRED IN SERIES



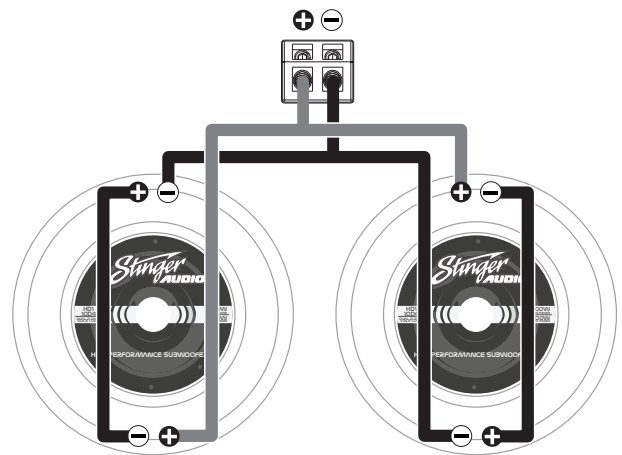
MC110D2 = 4 OHM
MC110D4 = 8 OHM

DUAL SUBWOOFER SYSTEM WIRED IN PARALLEL



MC110D2 = 1/2 OHM
MC110D4 = 1 OHM

DUAL SUBWOOFER SYSTEM WIRED IN SERIES - PARALLEL



MC110D2 = 2 OHM
MC110D4 = 4 OHM

WARNING:

Stinger Audio products are capable of producing sound levels that can permanently damage your hearing! Listen responsibly and avoid continuous exposure to high sound pressure levels. While driving, keep the volume at a level that allows you to hear outside warning sounds (sirens, horns, etc.)

LIMITED WARRANTY

Stinger warrants this product to be free of defects in materials and workmanship for a period of one (1) years from the original date of purchase. This warranty is not transferable and applies only to the original purchaser from an authorized Stinger dealer in the United States of America only. Should service be necessary under this warranty for any reason due to manufacturing defect or malfunction, Stinger will (at its discretion), repair or replace the defective product with new or remanufactured product at no charge. Damage caused by the following is not covered under warranty: accident, misuse, abuse, product modification or neglect, failure to follow installation instructions, unauthorized repair attempts, misrepresentations by the seller. This warranty does not cover incidental or consequential damages and does not cover the cost of removing or reinstalling the unit(s). Cosmetic damage due to accident or normal wear and tear is not covered under warranty.

INTERNATIONAL WARRANTIES:

Products purchased outside the United States of America are covered only by that country's Authorized Stinger reseller and not by Stinger. Consumers needing service or warranty information for these products must contact that country's reseller for information.



Please DO NOT return to seller

For help with installation, replacement parts, warranty or returns, please contact us directly at
727-732-3114 or support@stingerelectronics.com



Stinger is a Power Brand of AAMP Global
15500 Lightwave, Clearwater, Florida 33760
© 2022 AAMP Global
IG-MC110D REV 052422