



PHDCAM10U

Universal CVBS/AHD Camera
with Butterfly & License Plate Mounts

User Manual



EchoMaster.com
EchoMaster is a Power Brand of AAMP Global



email - support@aampglobal.com (US)
Clearwater, Florida 33760
15500 Lightwave Drive, Suite 202



Introduction

Thank you for purchasing your EchoMaster Pro automotive camera.

This manual covers the following part numbers

▶ PHDCAM10U

EchoMaster Pro cameras are designed to improve safety during driving by providing high quality images of surrounding areas and obstacles in the vicinity of the vehicle. They will also improve vehicle maneuvering capability by displaying blind spots not normally visible to the driver.

Please ensure you read and understand all aspects of this manual before fitting or using your EchoMaster Pro Camera. Choose a suitable mounting place dependent on the application. Ensure that there are no wiring harnesses or hose/pipes located behind this panel before drilling.

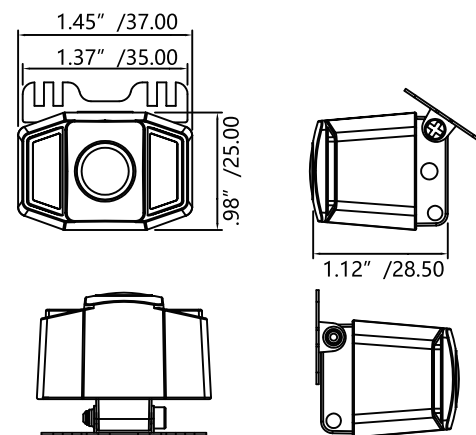
Key Features

- ▶ Selectable Analog High Definition (AHD) or Standard (CVBS) Resolution
- ▶ Multiple Mounting Options
- ▶ 1/3" CMOS Sensor
- ▶ 4 IR LEDs
- ▶ 170 Degree Viewing Angle
- ▶ IP67 Water/Debris-Proof rating
- ▶ Selectable Mirroring & Parking Lines

Box Contents

- ▶ Camera
- ▶ Wiring Harness
- ▶ Mounting Brackets
- ▶ Manual

Dimensions (in/mm)



Specifications

PHDCAM10U	
Sensor Type	CMOS
LEDs	4
Illumination	0 LUX
Viewing Angle	170°
Mirror Image	Selectable
Parking Lines	Selectable
Water/Debris-Proof	IP67
Audio	NO
Power Supply	DC9-16V
Current	<150mA
Working Temperature	-20°C - 65°C
Dimensions (in/mm)	D1.45/37xW.98/25xH1.12/28.5
System	CVBS / AHD
TV Lines (CVBS/AHD)	480 / 720
Resolution (CVBS/AHD)	648 x 488 / 1280 x 720

Wiring Diagram & Pin Out

