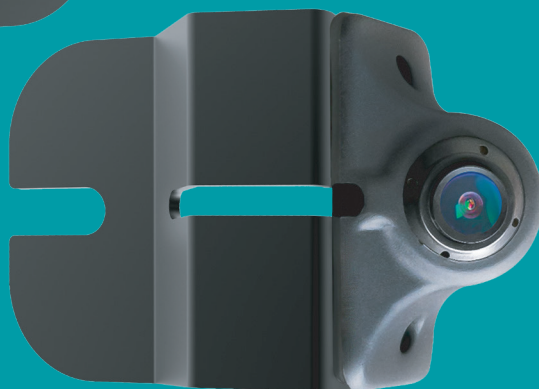


Installation Guide



HDBJK
HDBJL



Blind Spot Dual Side View Camera Kit

CVBS (480P)

AHD (720P)

2007 - 2018 Wrangler JK (HDBJK)

2018 - Up Wrangler JL / Gladiator JT (HDBJL)



Installation Notes

Camera brackets are non-directional and can be installed on either side.

If the video source does not have multiple inputs and turn signal triggers, a PAC VS-41 is required.

To connect blind spot cameras to the JK factory display radio, a PAC BCI-CH21 and VS-41 is required.

Mounting The Cameras

Using a 10mm socket, loosen the front fender bolt (1) located inside the door jamb.

Feed the camera cable through the bracket opening (2).

From outside the vehicle, carefully slide the camera mounting bracket between the fender and the door.

Route the camera cable behind the bracket and upward (3).

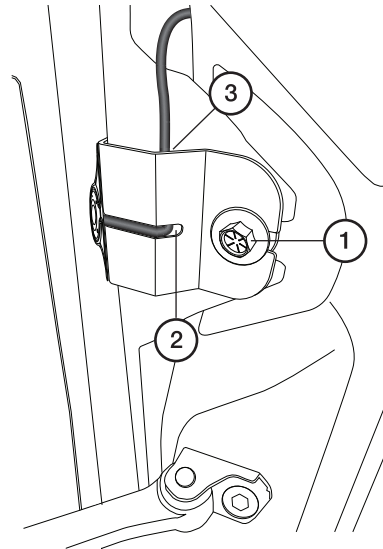
Slide the mounting bracket under the the 10mm bolt and washer. Hand tighten the 10mm bolt.

Align the bracket so it is flat against the fender and ensure the camera cable is routed in the space behind the bracket.

Tighten the 10mm bolt (1).

Box Contents

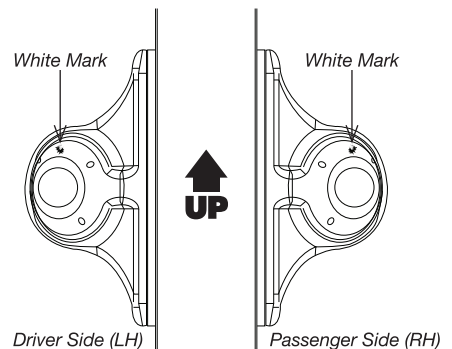
- ▶ Blind Spot Cameras (2)
- ▶ Mounting Brackets (2)
- ▶ Camera Extension Cables (2)
- ▶ Camera Power/Video Adapters (2)
- ▶ U-Shaped Camera Angle Adjustment Tool
- ▶ Warranty Card



Aligning The Cameras

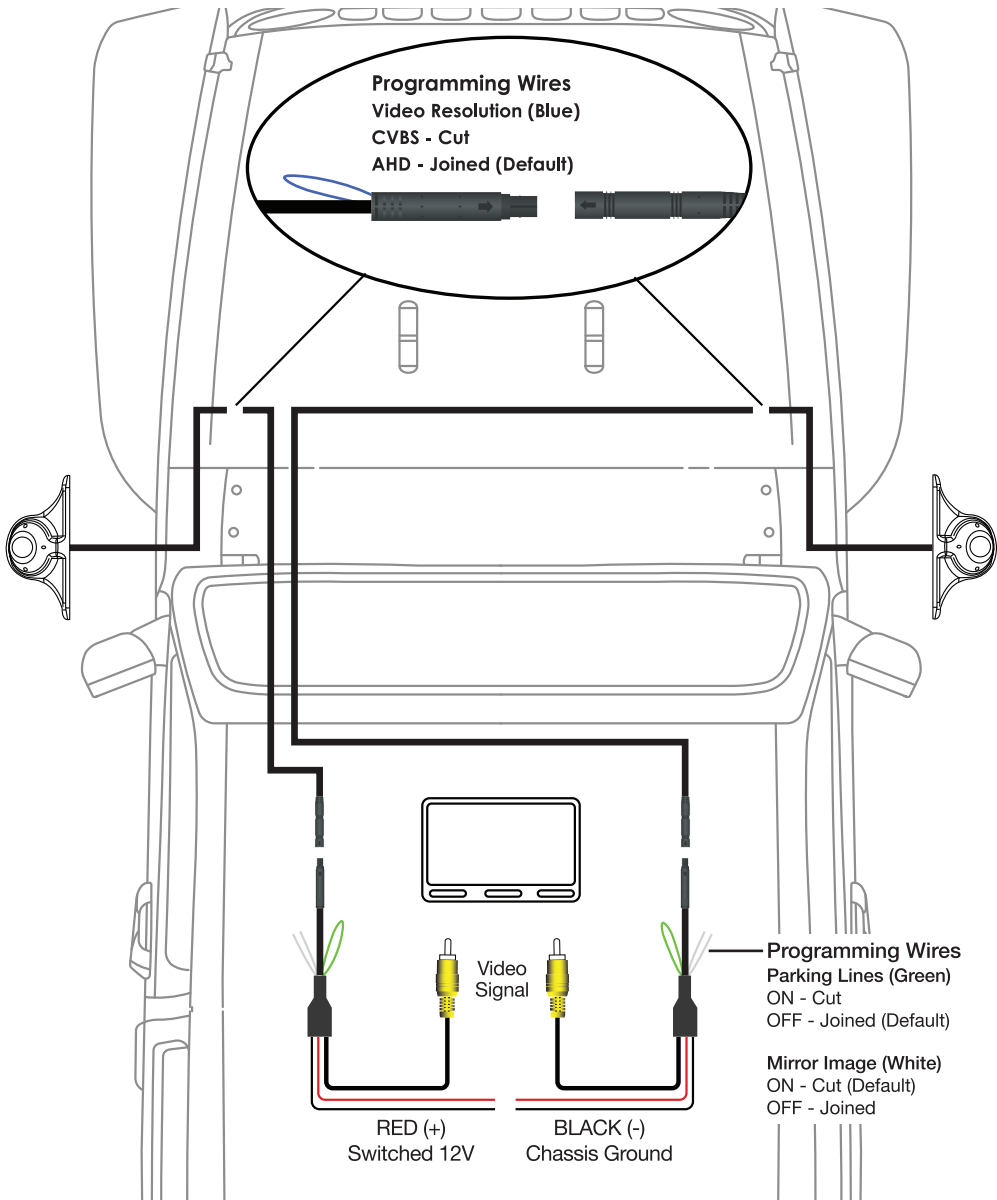
Using the U-Shaped Camera Angle Adjustment Tool, rotate the cameras so that the White Mark is at the top.

Once the cameras are connected to a video source, they can be further adjusted to ensure the image is straight and the viewing angle shows the vehicle's blind spot.



Wiring Overview

Once the cameras are mounted, route the camera cables into the engine compartment. Connect the Camera Extension Cables and route the cables into the vehicle to the video source. Connect the Camera Power/Video Adapters to the camera cables. Connect the Red wire to a switched 12V+ source and the Black wire to Ground. Connect the Yellow Video RCA cables to the appropriate inputs on the video source.



Camera Specifications

Sensor Type	CMOS
LEDs	4
Illumination	0.1 LUX
Viewing Angle (Diagonal)	80 degrees
Mirror Image (Selectable)	Selectable
Parking Lines	Selectable
Water/Debris-Proof	IP67
Audio	NO
Power Supply	DC9-16V
Current	<150mA
Working Temperature	-20°C - 65°C
Dimensions (MM)	D (26) x W (50) x H (23)
System	CVBS / AHD
TV Lines	480 / 720
Resolution (HxV)	648 x 488 / 1280 x 720



TECHNICAL SUPPORT:

Phone: 727-592-5991

Email: support@aampglobal.com

Chat: EchoMaster.com

CUSTOMER SOLUTIONS:

800-477-2267



EchoMaster is a Power Brand of AAMP Global