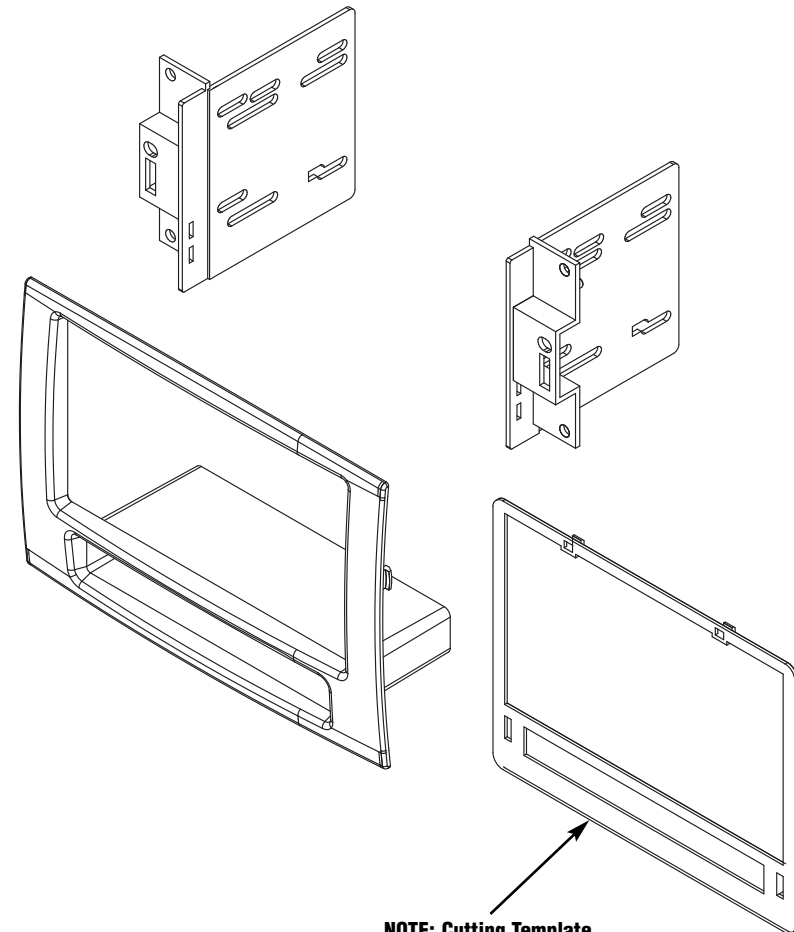




**American
International**
Car Stereo Installation Kits & Accessories



**NOTE: Cutting Template
not part of mounting kit.
To be used as a cutting Template ONLY.**

VEHICLE APPLICATIONS

Dodge

2006-08 RAM 1500
2006-09 RAM 2500/3500
2010 RAM 2500/3500 Classic Dash

**NOTE: THIS INSTALLATION KIT REQUIRES
PROFESSIONAL INSTALLATION. THE OEM PANEL
WILL NEED TO BE CUT TO MOUNT KIT.**

CDK651 Mounting Kit



American International

WWW.AIUS.NET

2500 East Francis Street Ontario, CA 91761, U.S.A.
USA Sales (800) 336-6500

**CUSTOMER HELP LINE
USA 800-323-4329**

ICDK651

DASH DISASSEMBLY INSTRUCTIONS

AUTOMATIC TRANSMISSION

1. Open the lower center console drink holder compartment.
2. Remove the (1) 9/32 screw from under each 12 volt power receptacle.
3. Carefully starting from the bottom edge, pry the entire Radio/Climate control trim bezel forward to release and lay out of the way.
4. Remove the (4) 9/32 screws securing the radio to the sub-dash, pull radio forward, disconnect all harnesses and antenna lead and remove radio.

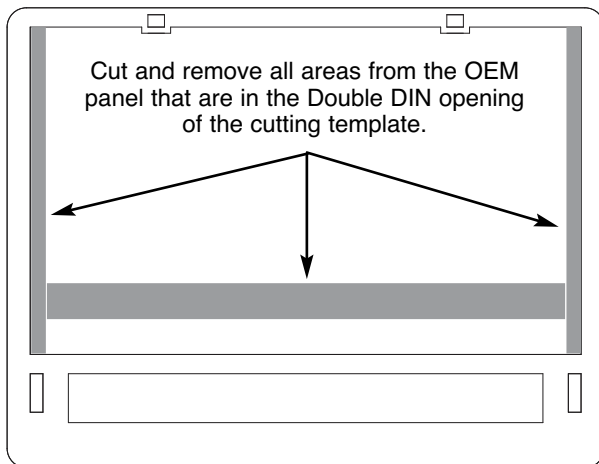
MANUAL TRANSMISSION

1. Carefully lift up and remove the rubber cup holder insert from the lower console bezel.
2. Remove the (2) 5/16 screws securing the bottom portion of the cup holder and remove cup holder.
3. Remove the (2) 5/16 screws securing the shifter trim and shifter boot, pull towards you and back (sliding rubber boot upward slowly) to allow access to the screws at the of the lower center dash trim panel.
4. Remove the (2) 9/32 screws from the lower edge of the bottom center dash trim, depress the trim panel inward and pull down to remove.
5. Remove the (1) 9/32 screw from under each 12 volt power receptacle.
6. Carefully starting from the bottom edge, pry the entire Radio/Climate control trim bezel forward to release and lay out of the way.
7. Remove the (4) 9/32 screws securing the radio to the sub-dash, pull radio forward, disconnect all harnesses and antenna lead and remove radio.

KIT PREPARATION

1. Snap the cutting template supplied with the CDK651 to the radio opening of the OEM panel.
2. Using the template as a guide cut both the left and right side inside of the template opening, clearing out the OEM panel that would prevent the CDK651 from snapping in.

NOTE: THIS INSTALLATION KIT REQUIRES PROFESSIONAL INSTALLATION. THE OEM PANEL WILL NEED TO BE CUT TO MOUNT KIT.



DOUBLE DIN INSTALLATION INSTRUCTIONS

Double DIN Mount Applications

1. Insert ISO mountable radio between ISO mount brackets and loosely attach to sides of radio using screws provided with radio when possible, or screws supplied with kit. Using the main frame of the CDK651 as a guide, slide radio forward or backward for desired look and then tighten screws to the radio.

NOTE: Attach a rear support bracket to the rear of the new radio and adjust as necessary to support the weight of the radio. Suggested.

