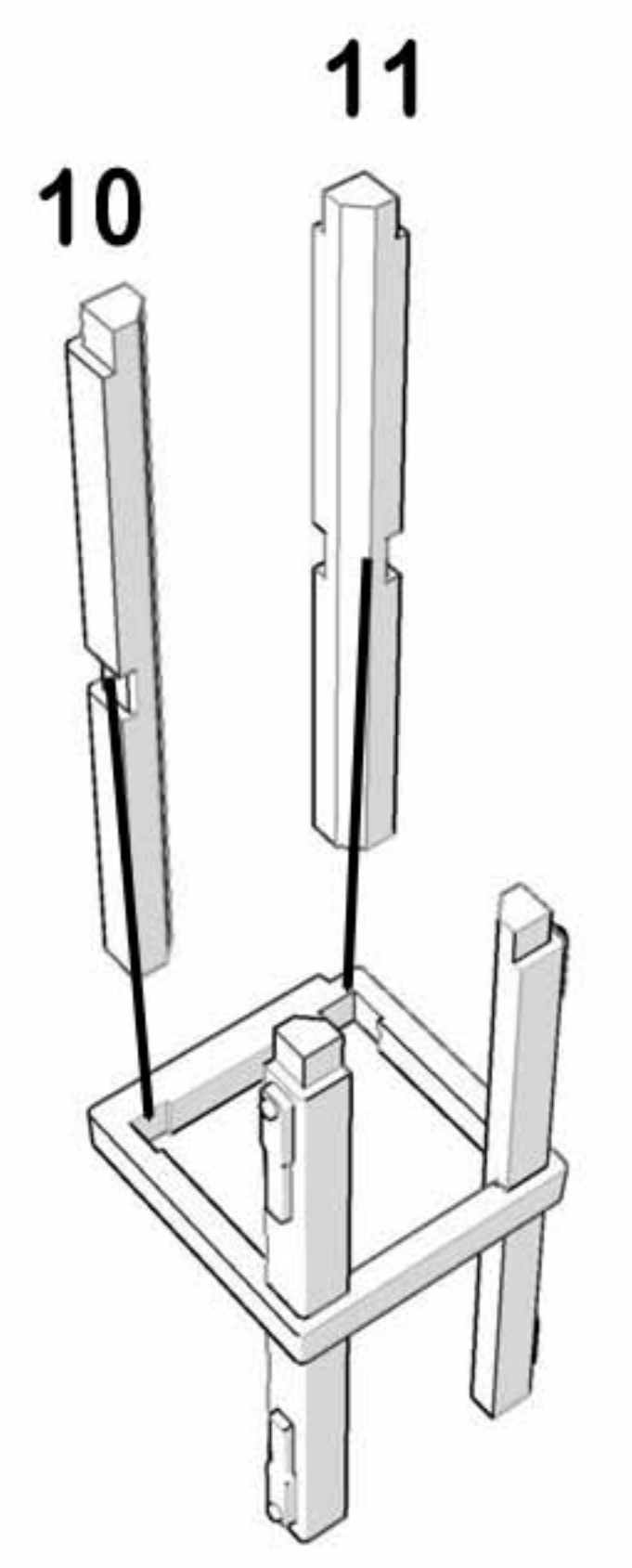
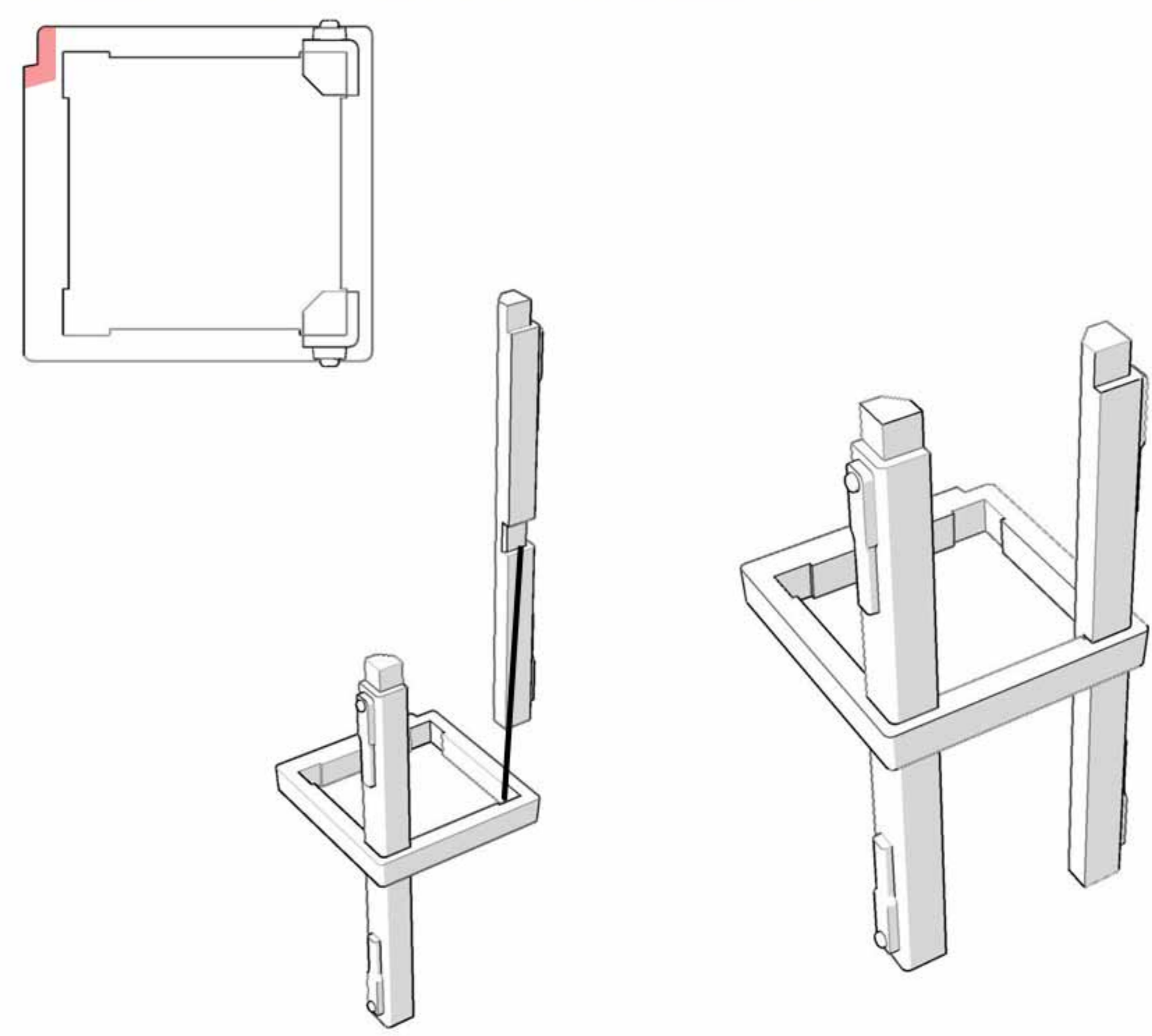
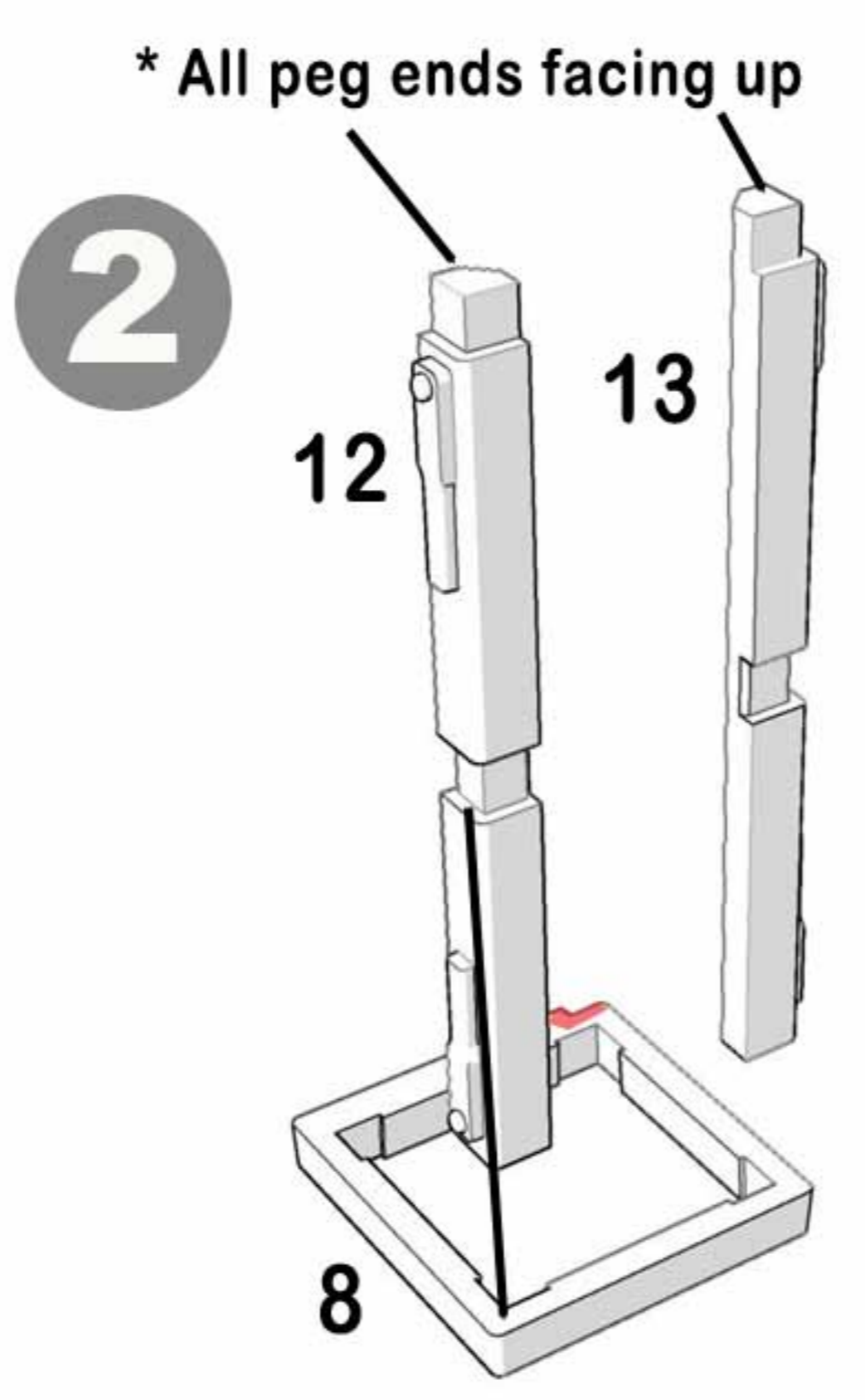
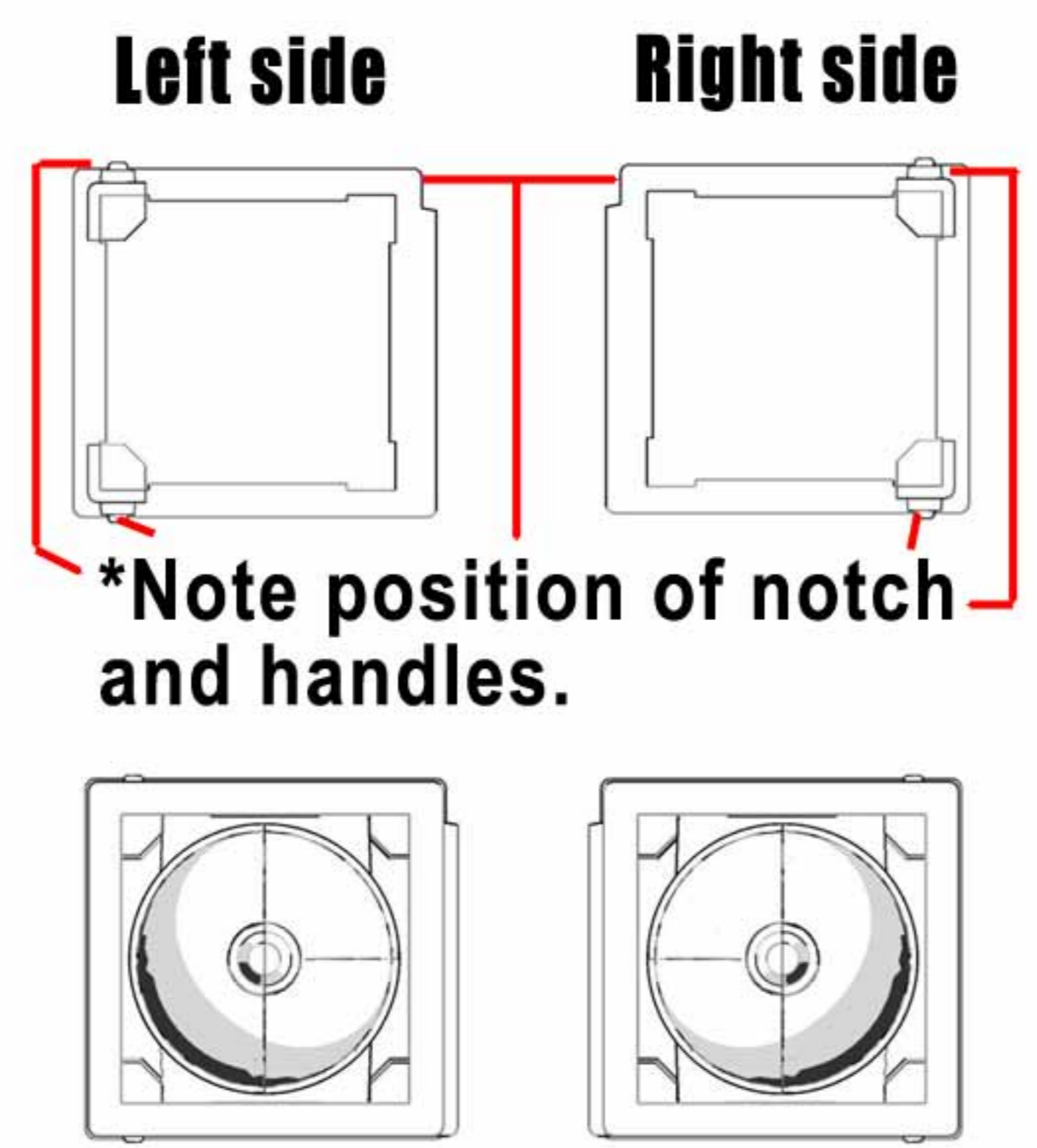
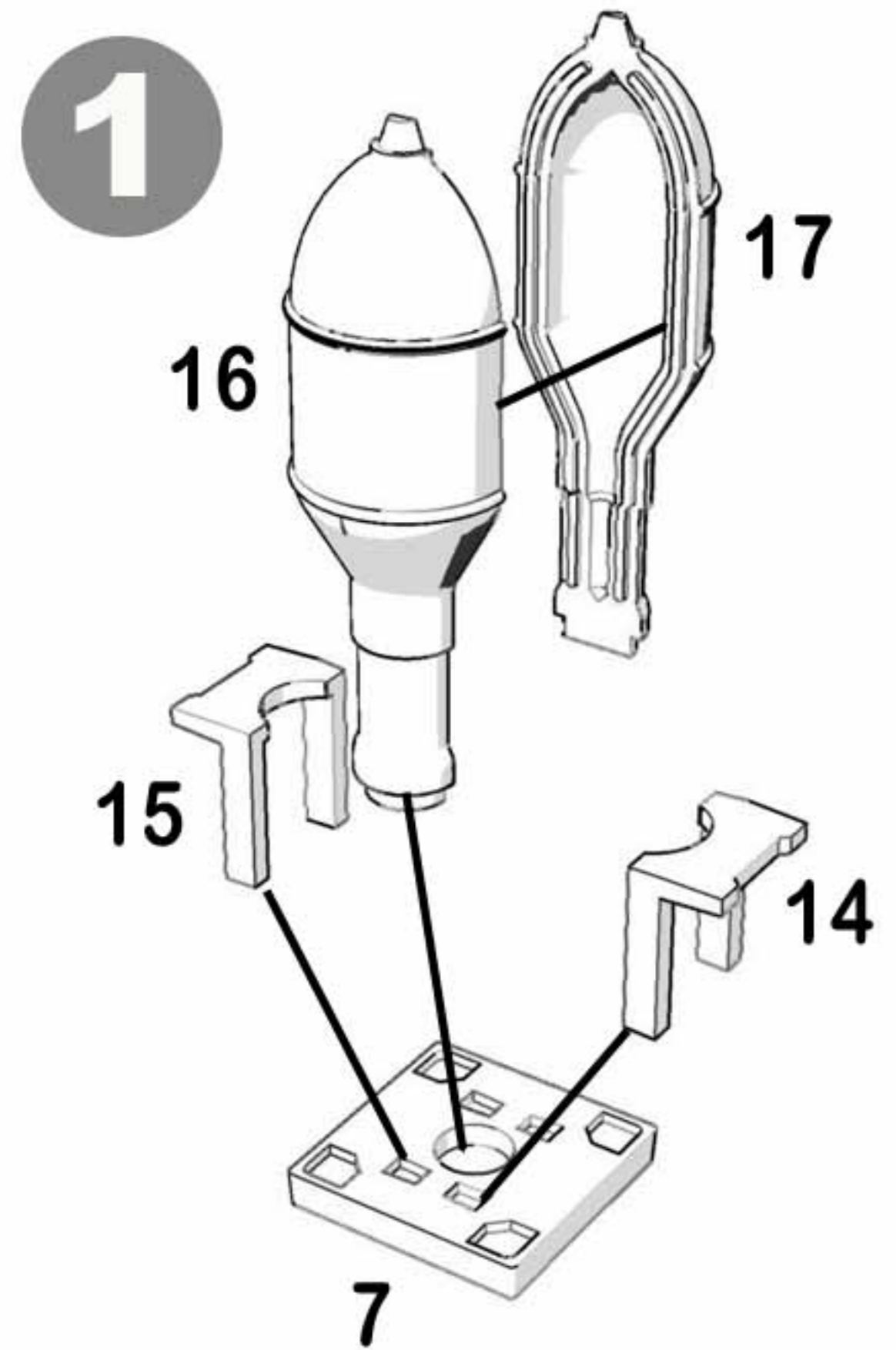
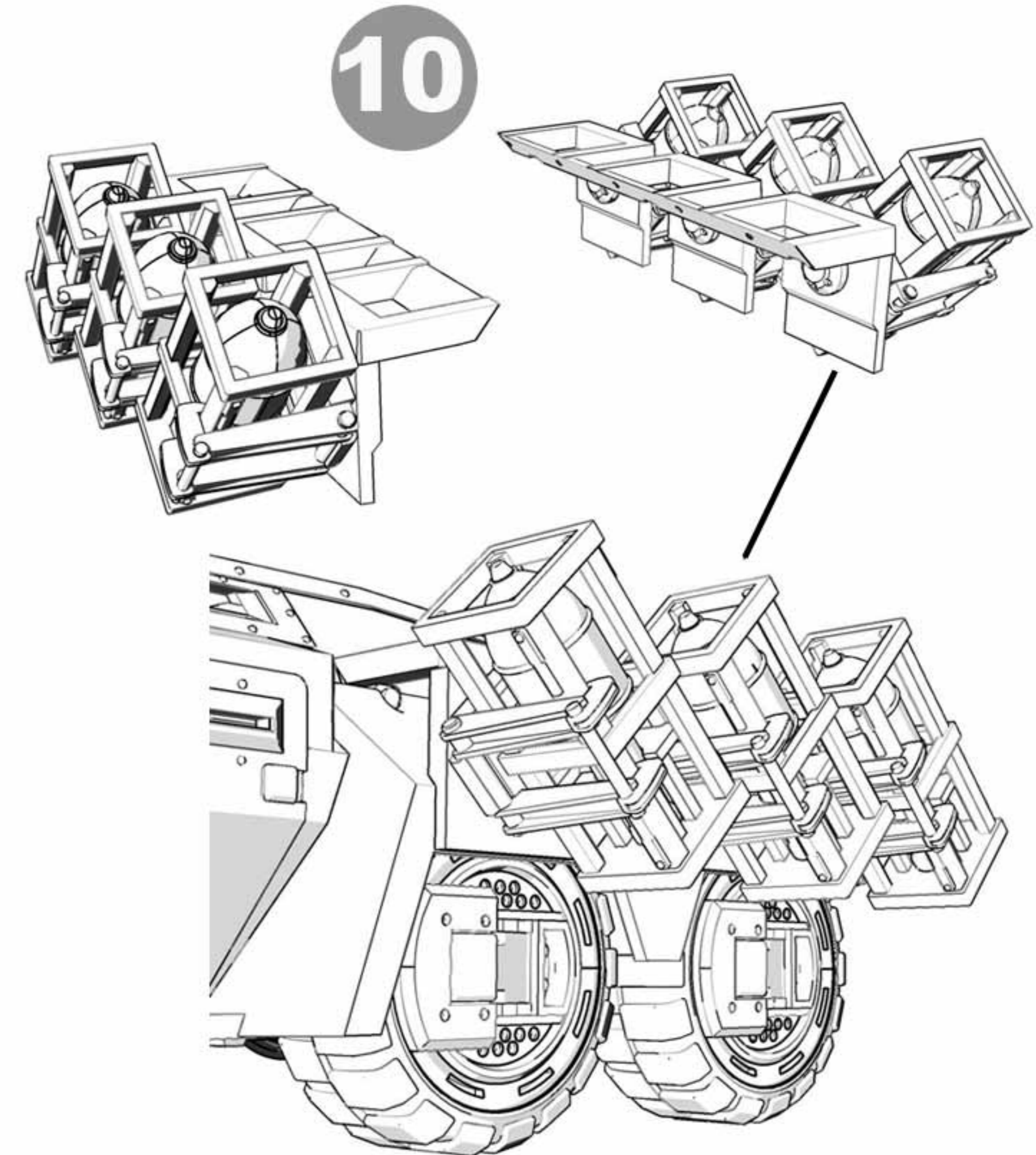
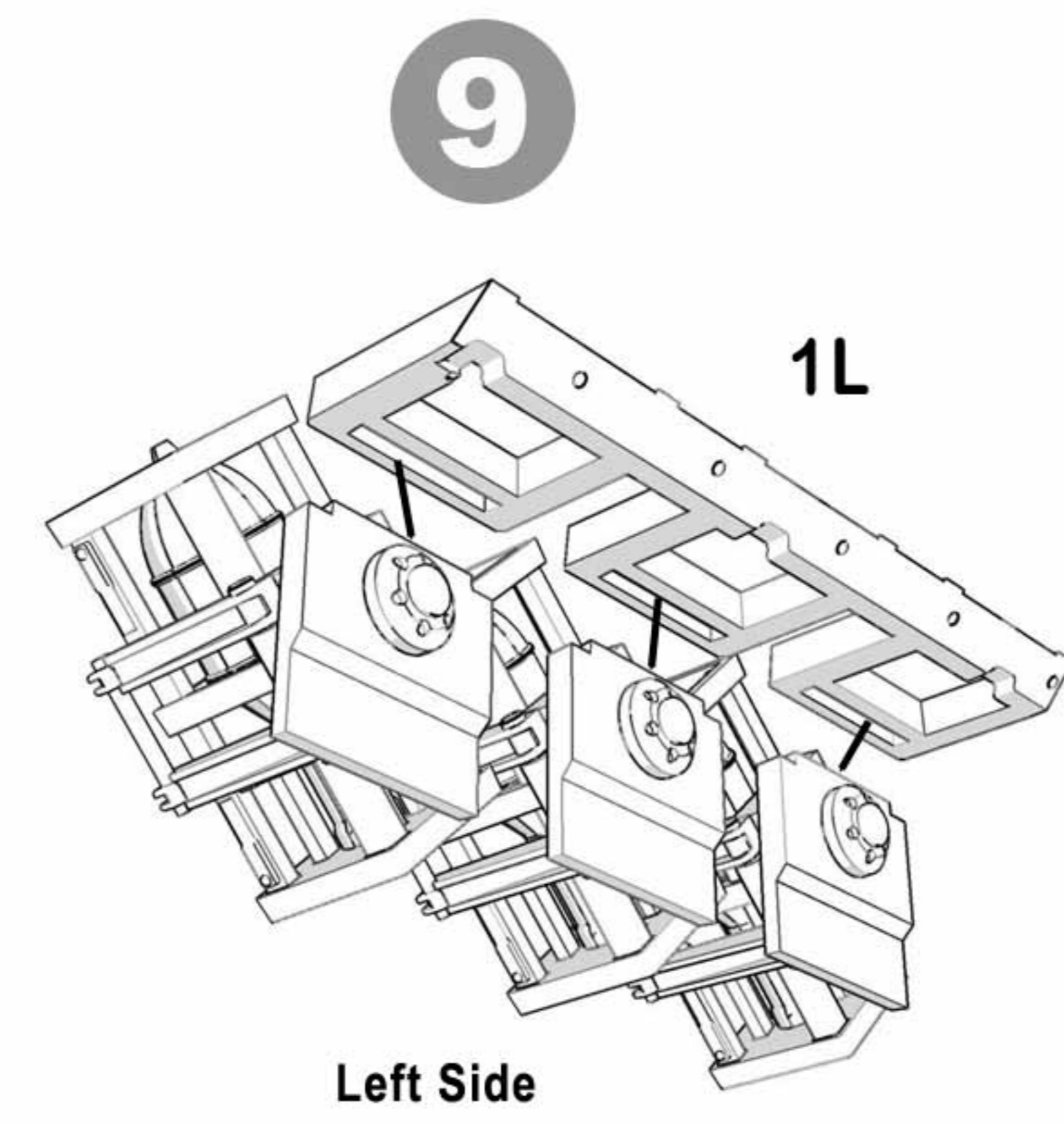
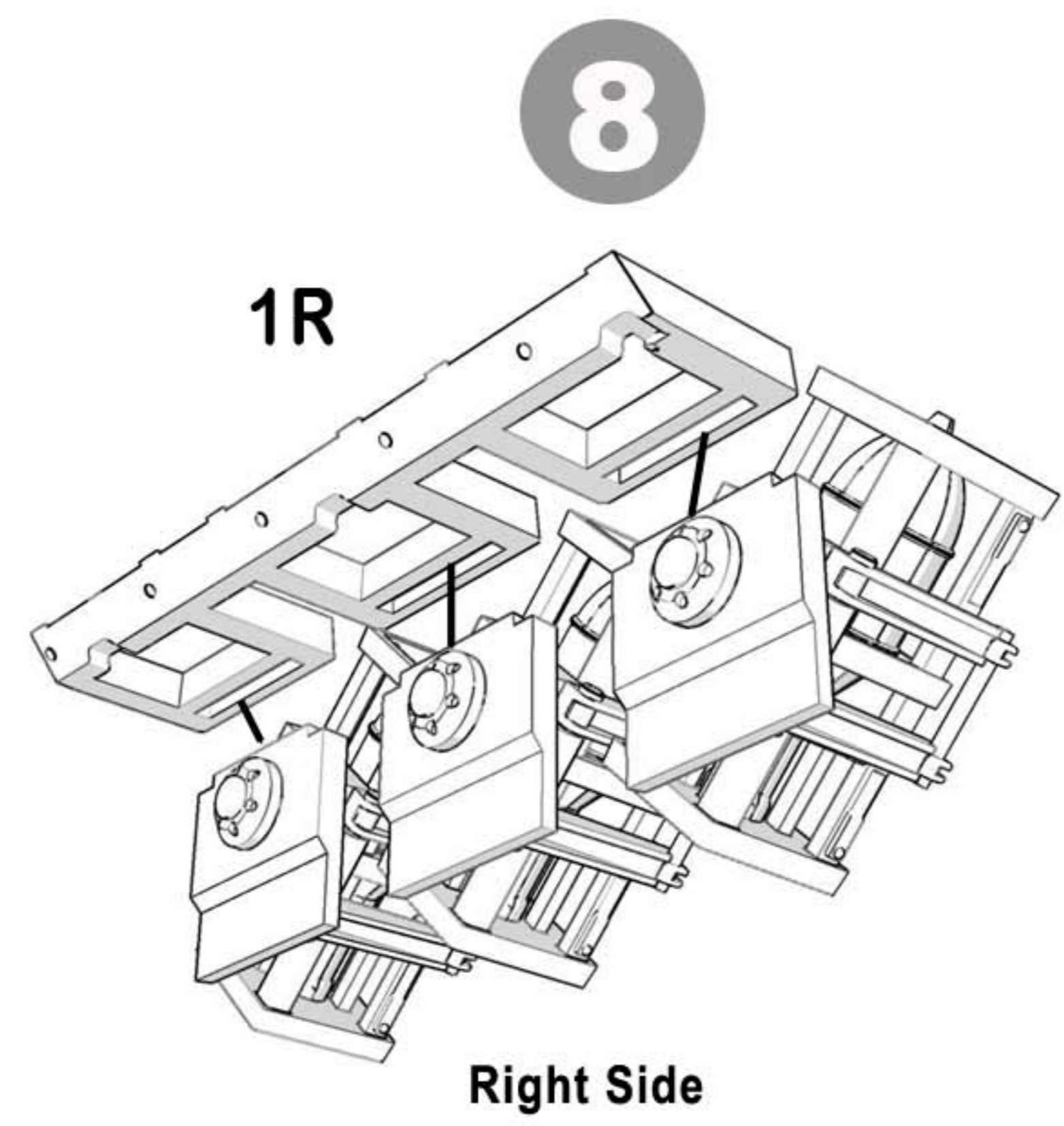
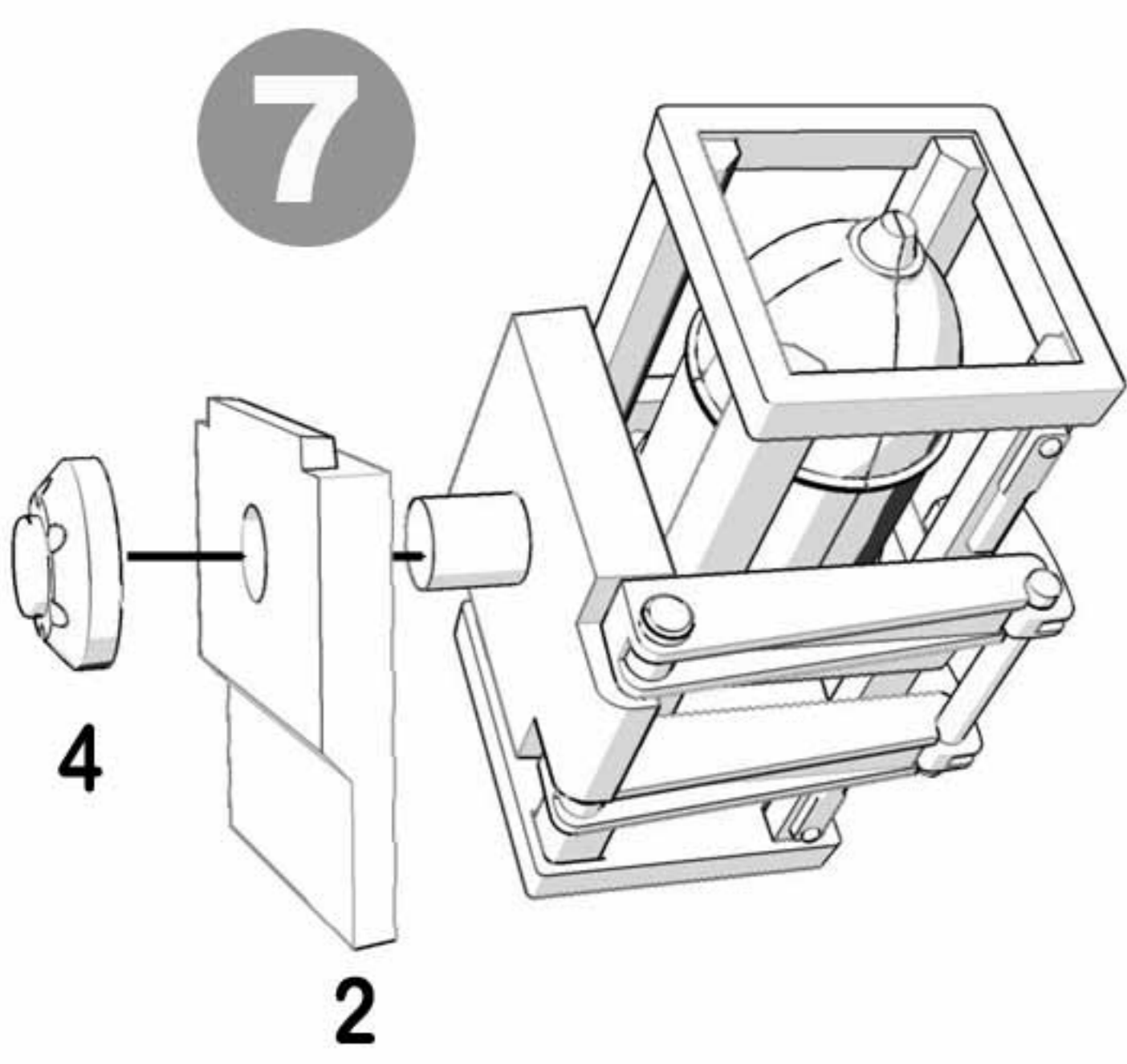
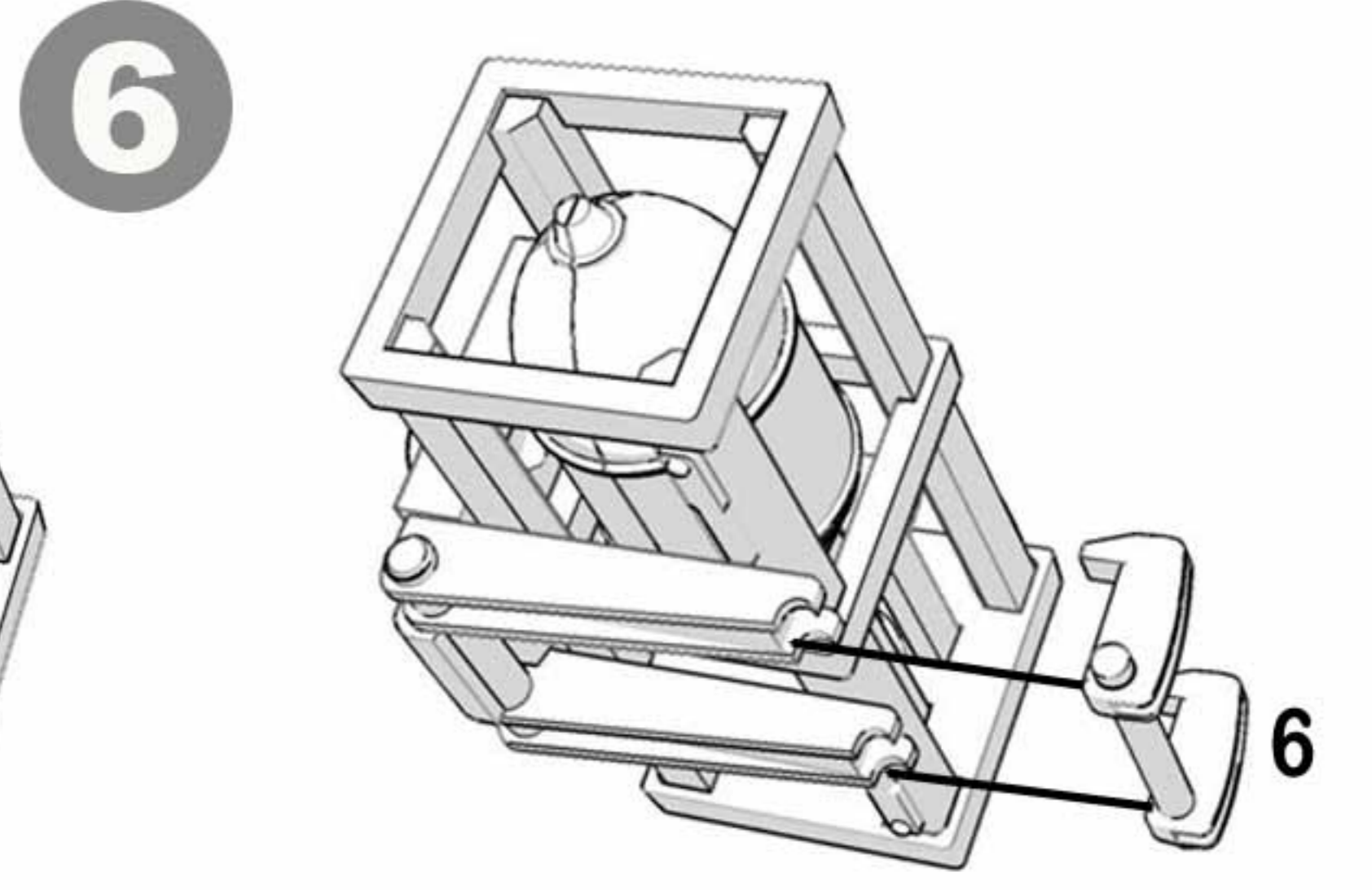
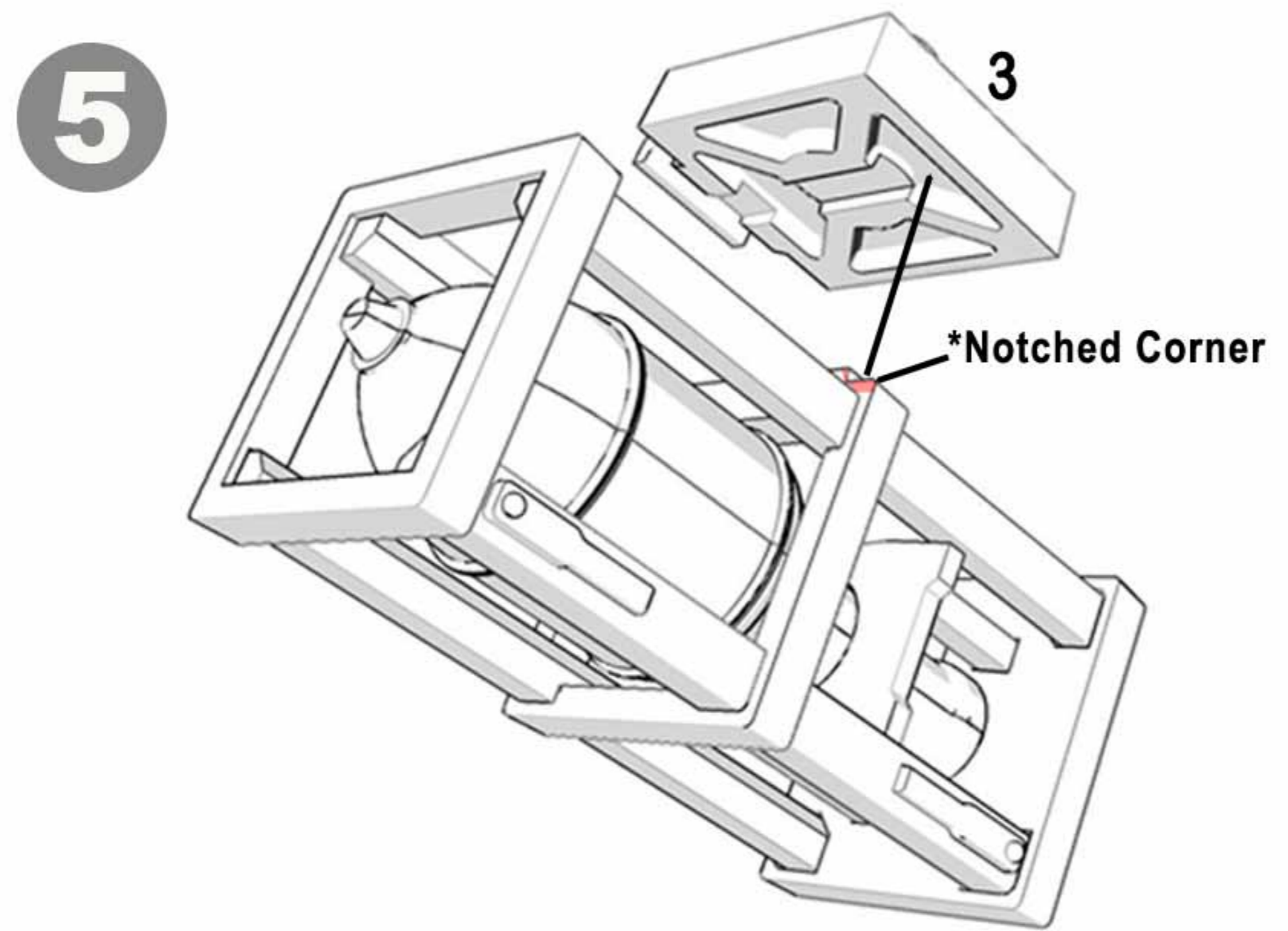
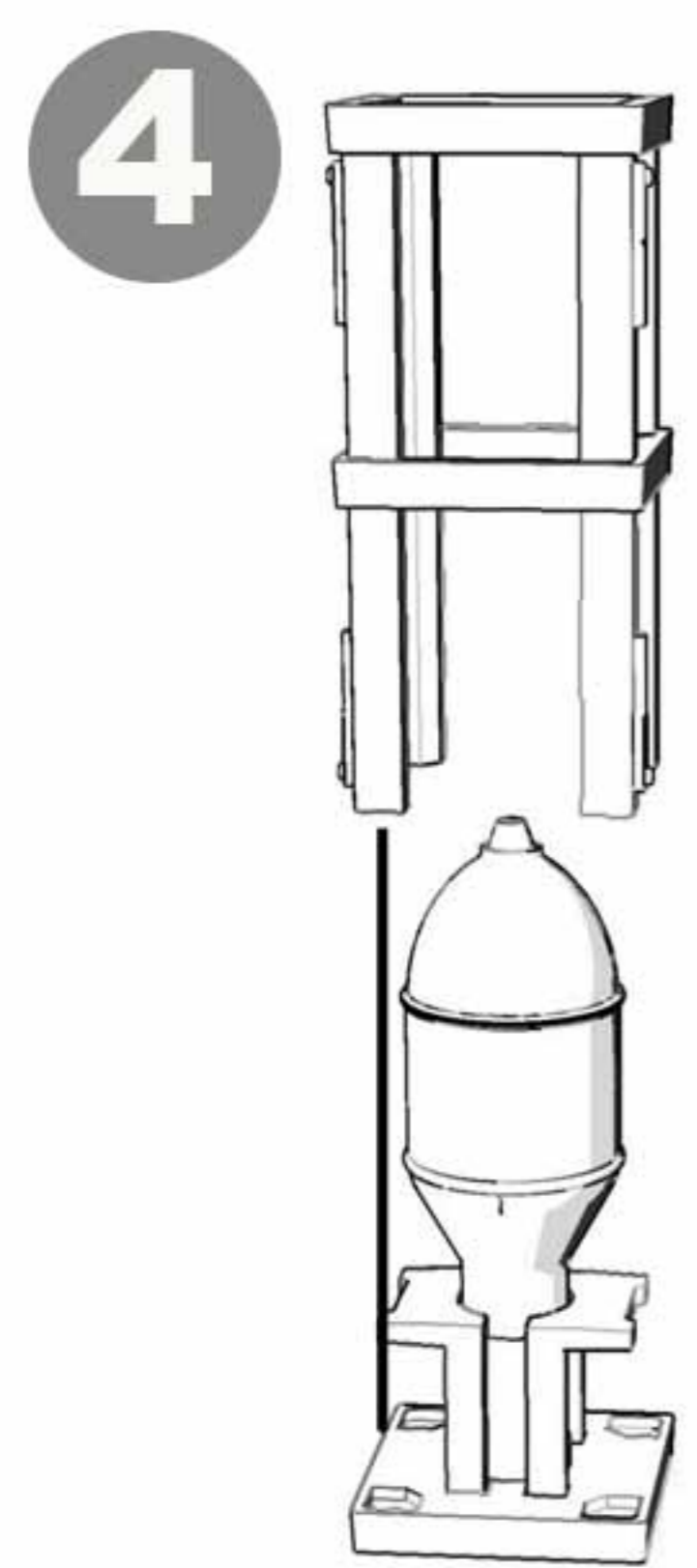
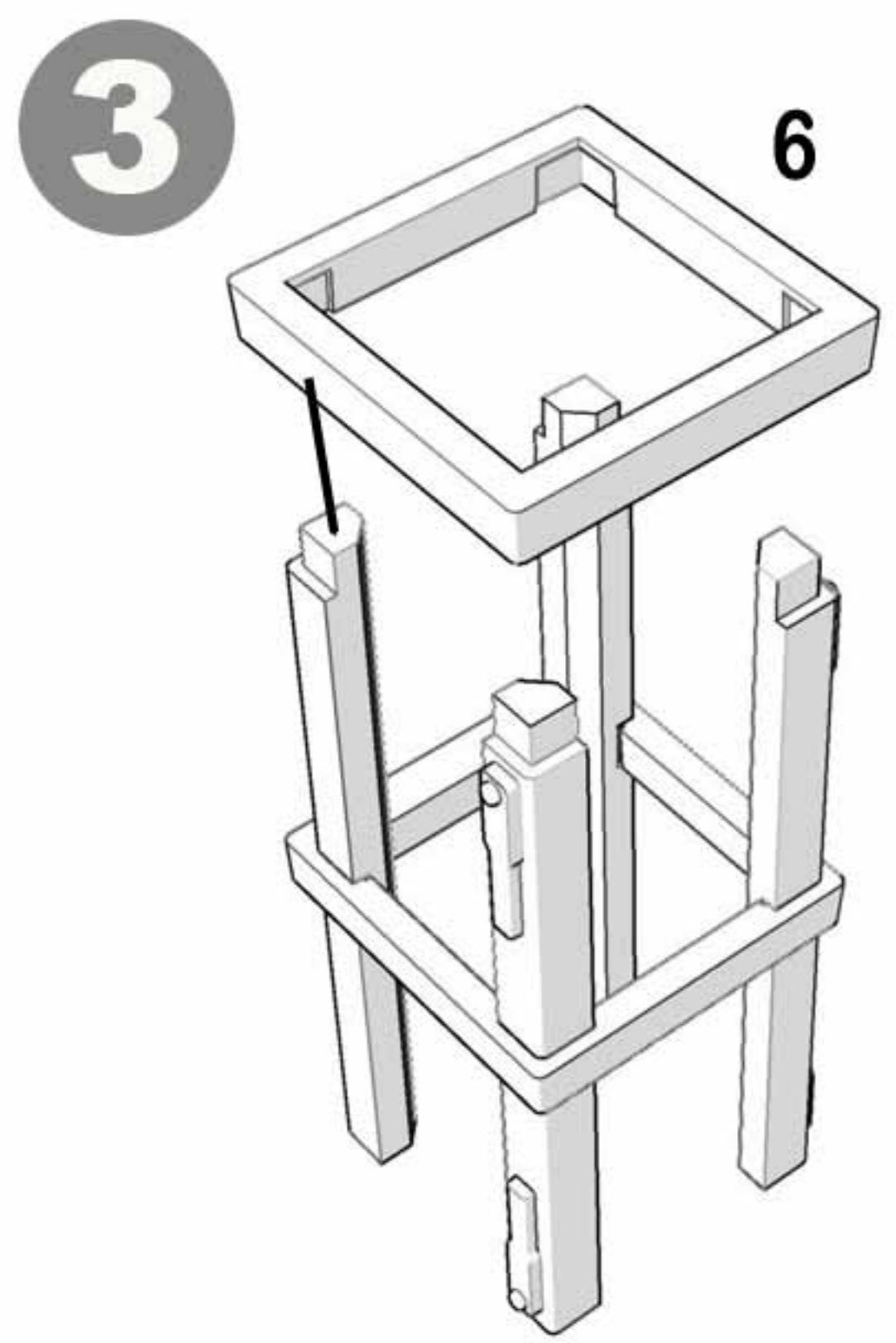


## THOR APC Upgrade



Notes: It is highly suggested that you do not use fast setting glues. Pay special attention when building the cage, noting #8 and where the handles for #12 and #13 align with the notched section for the right and left side launchers.



\*If you want the cages to rotate, take care when gluing part #4