

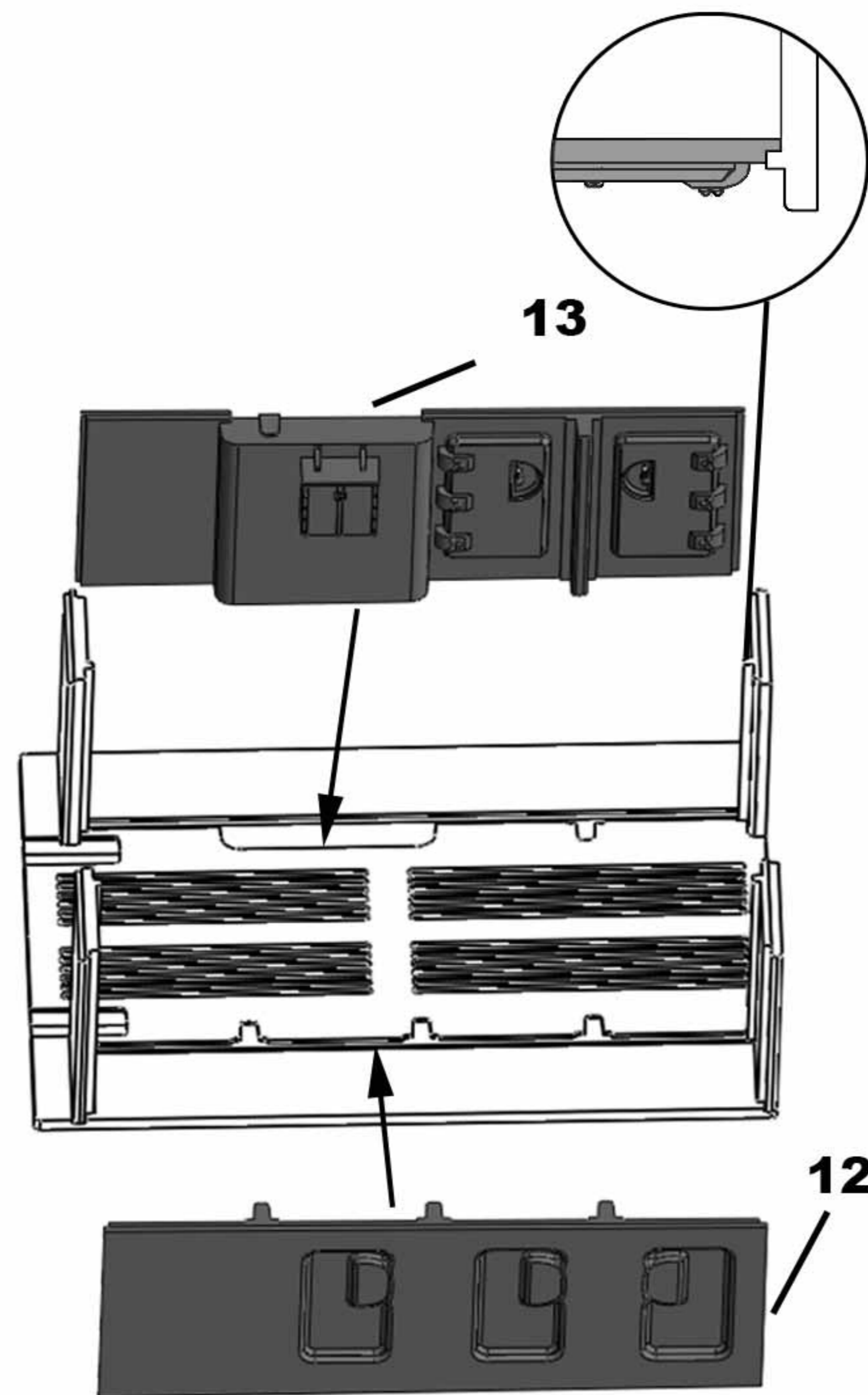
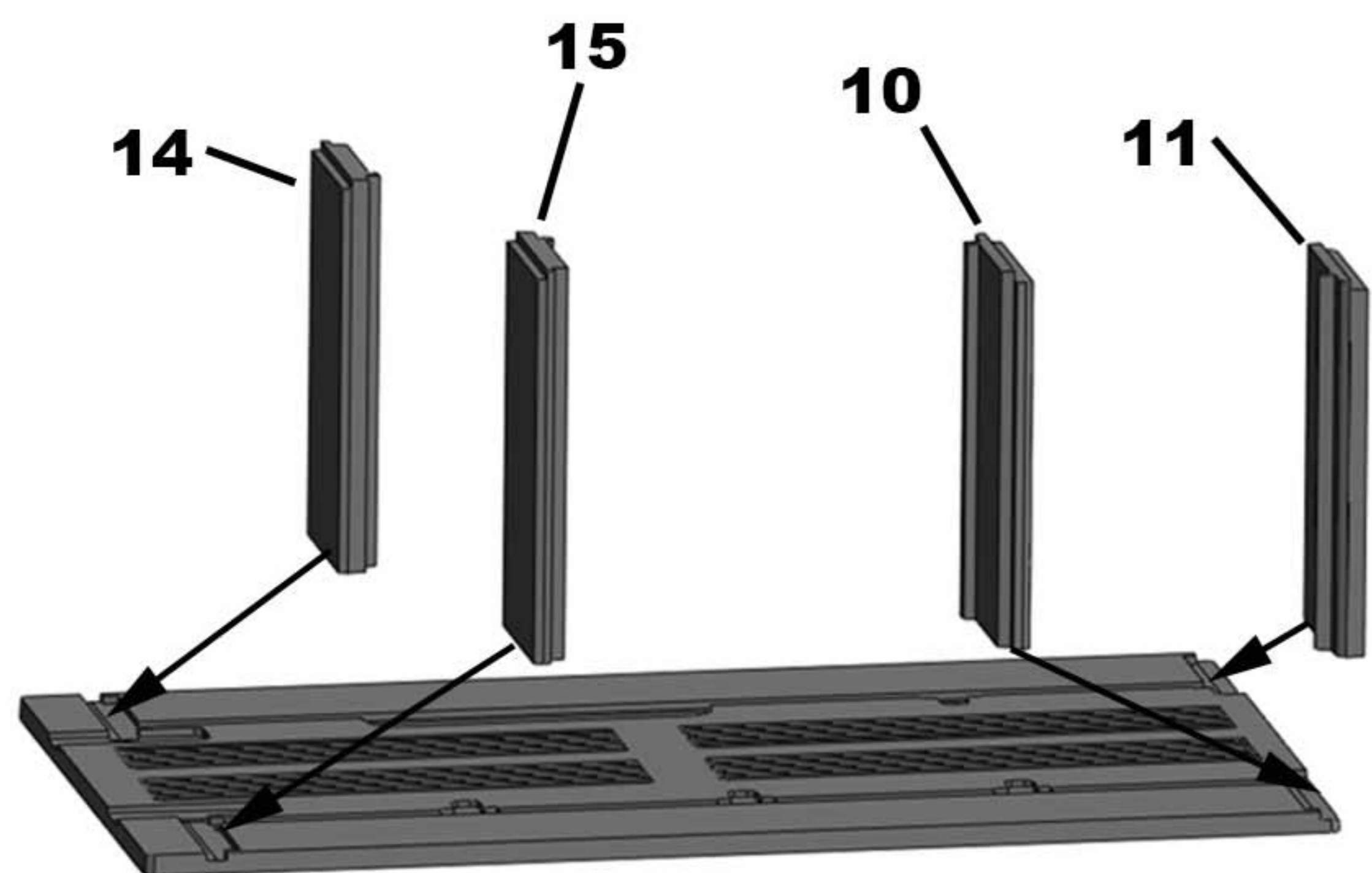


## ODIN/LOKI APC Conversion

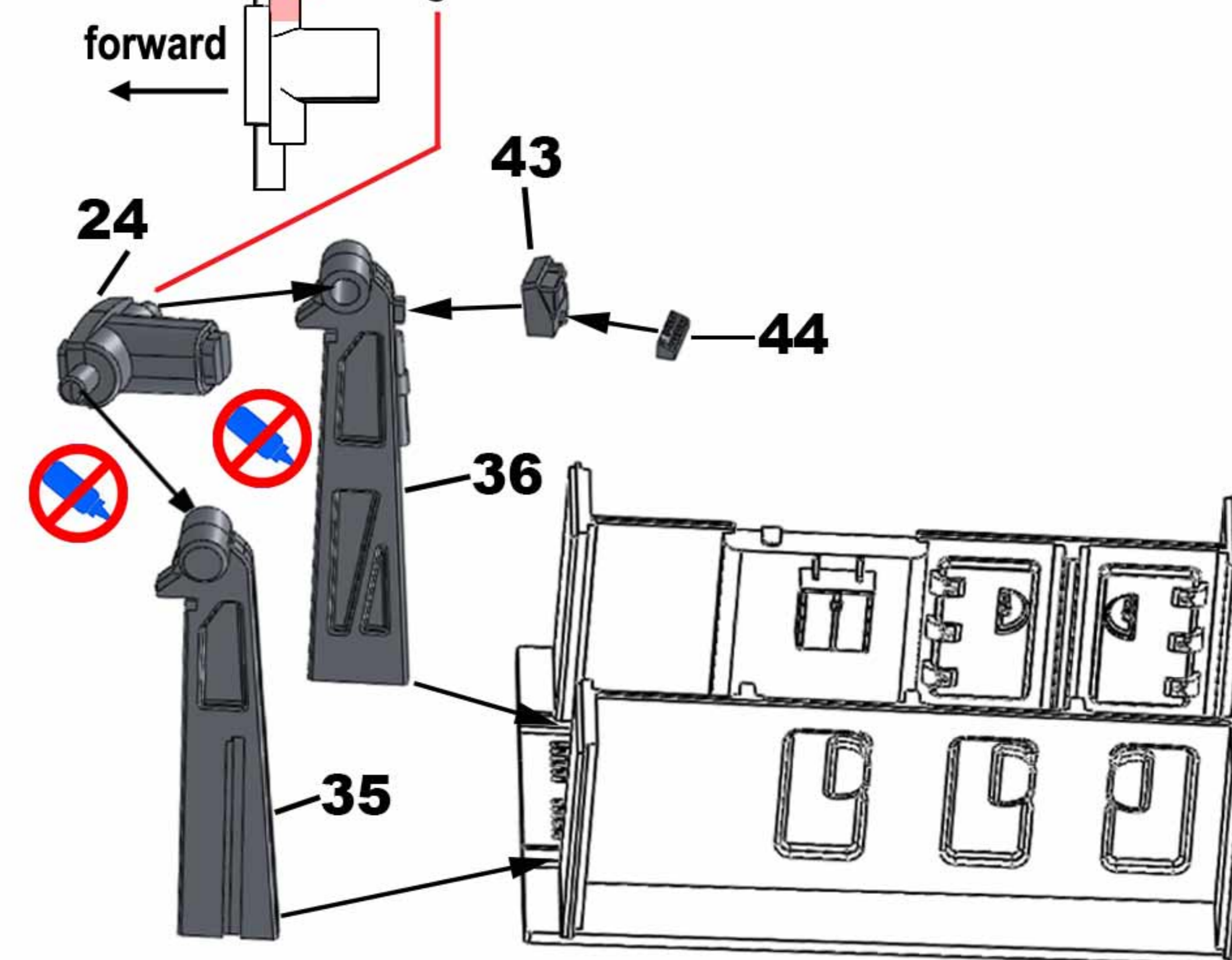
2

3

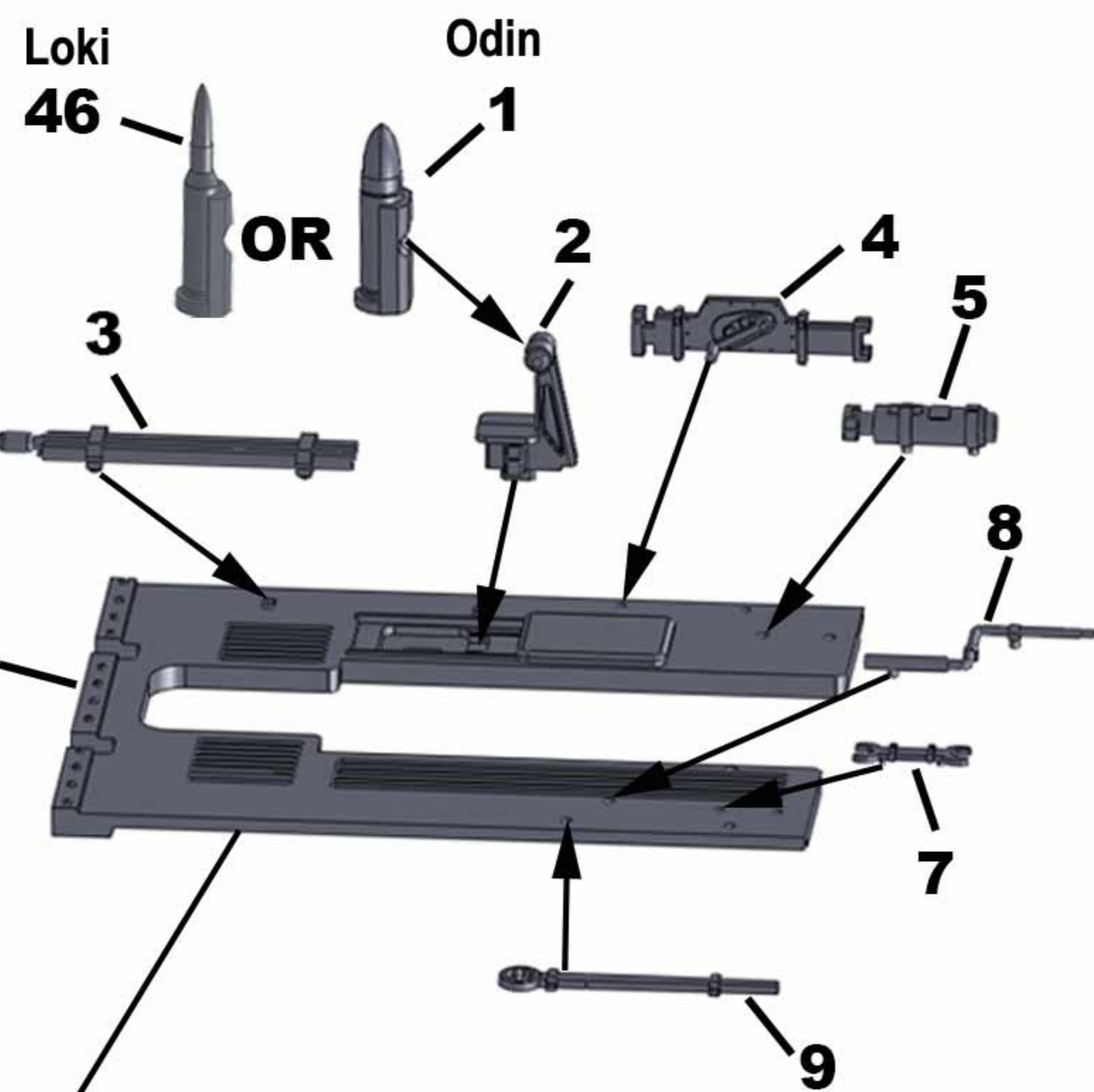
1



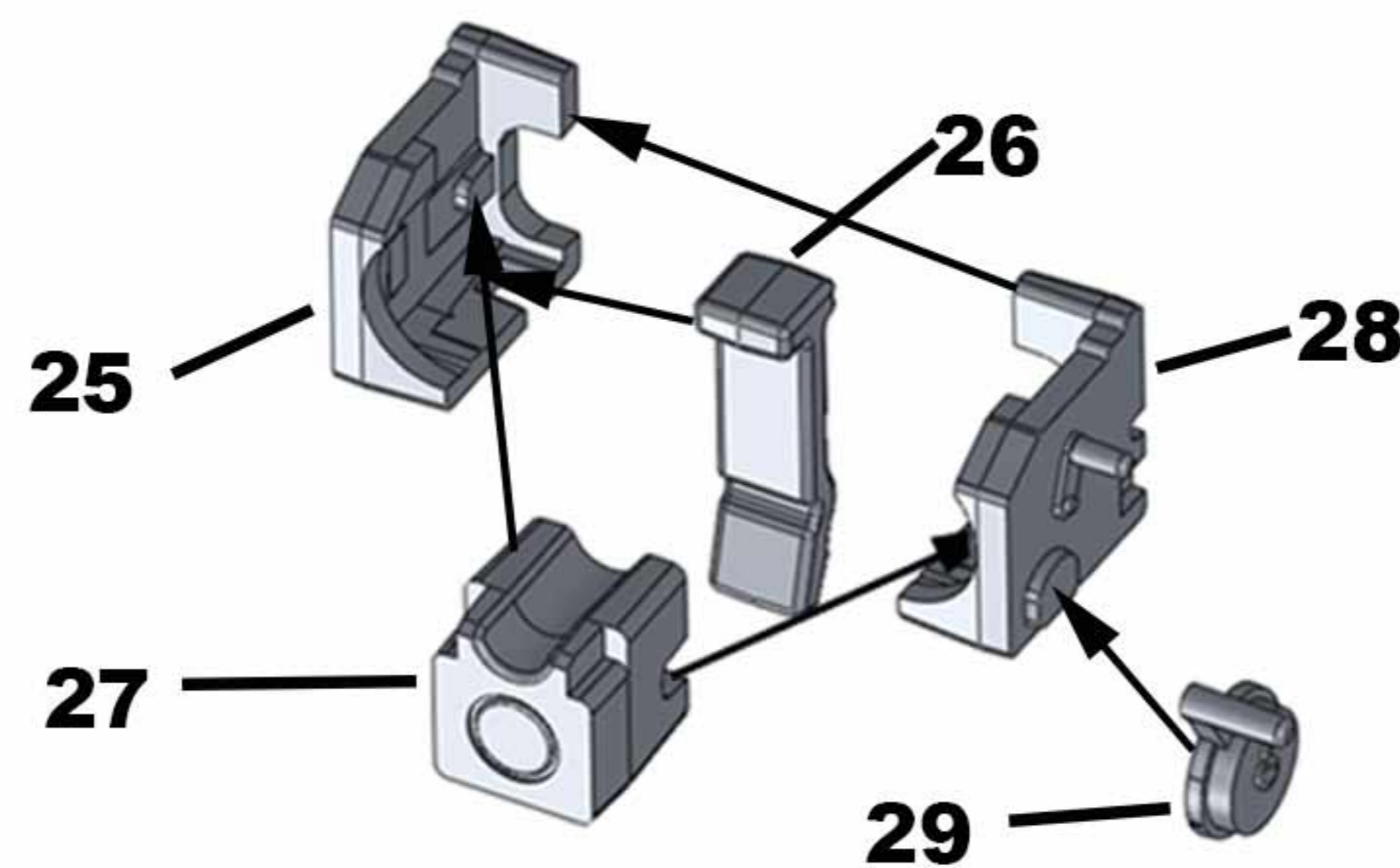
\*Chamber top view  
Note: Thinner side to the right.



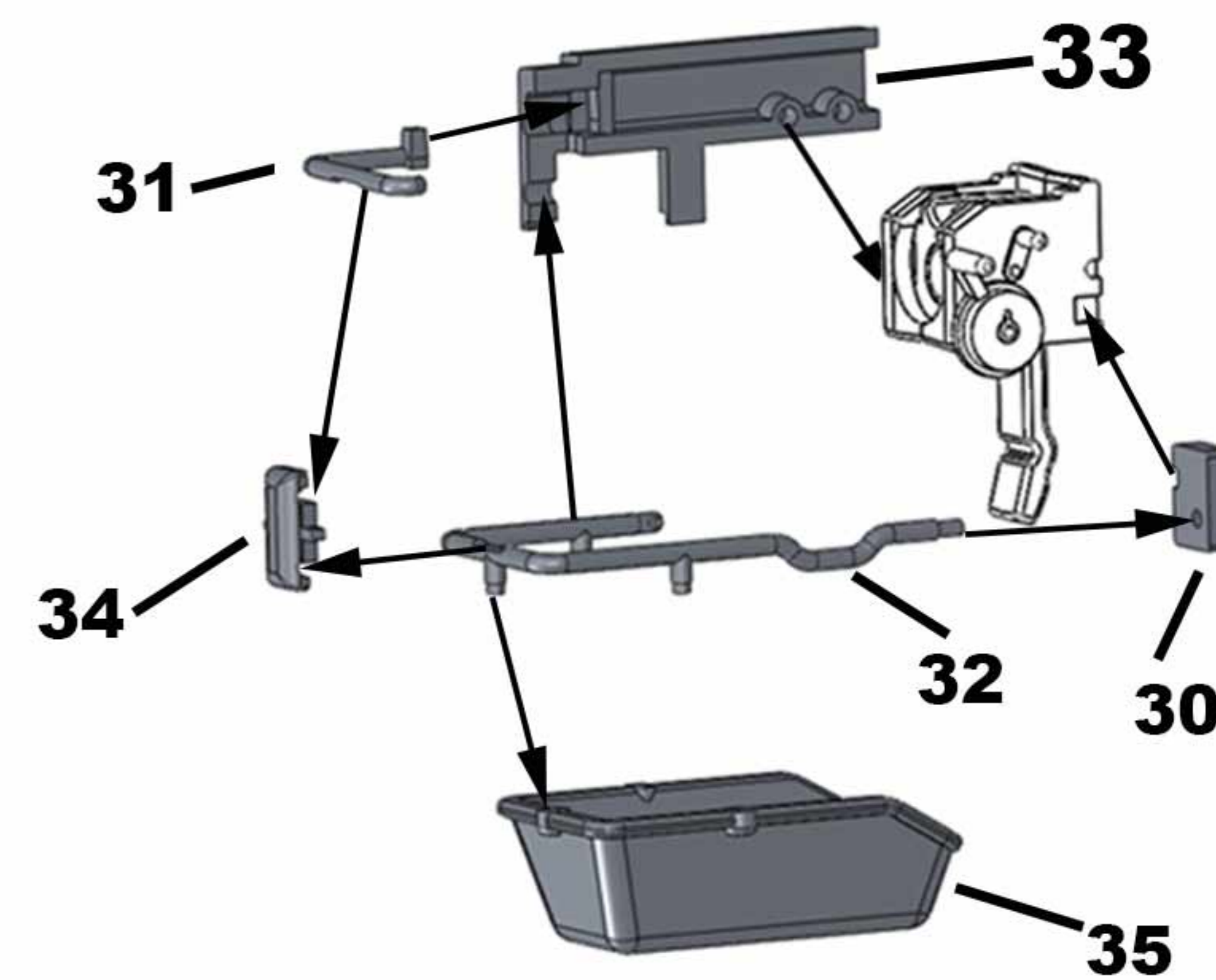
4



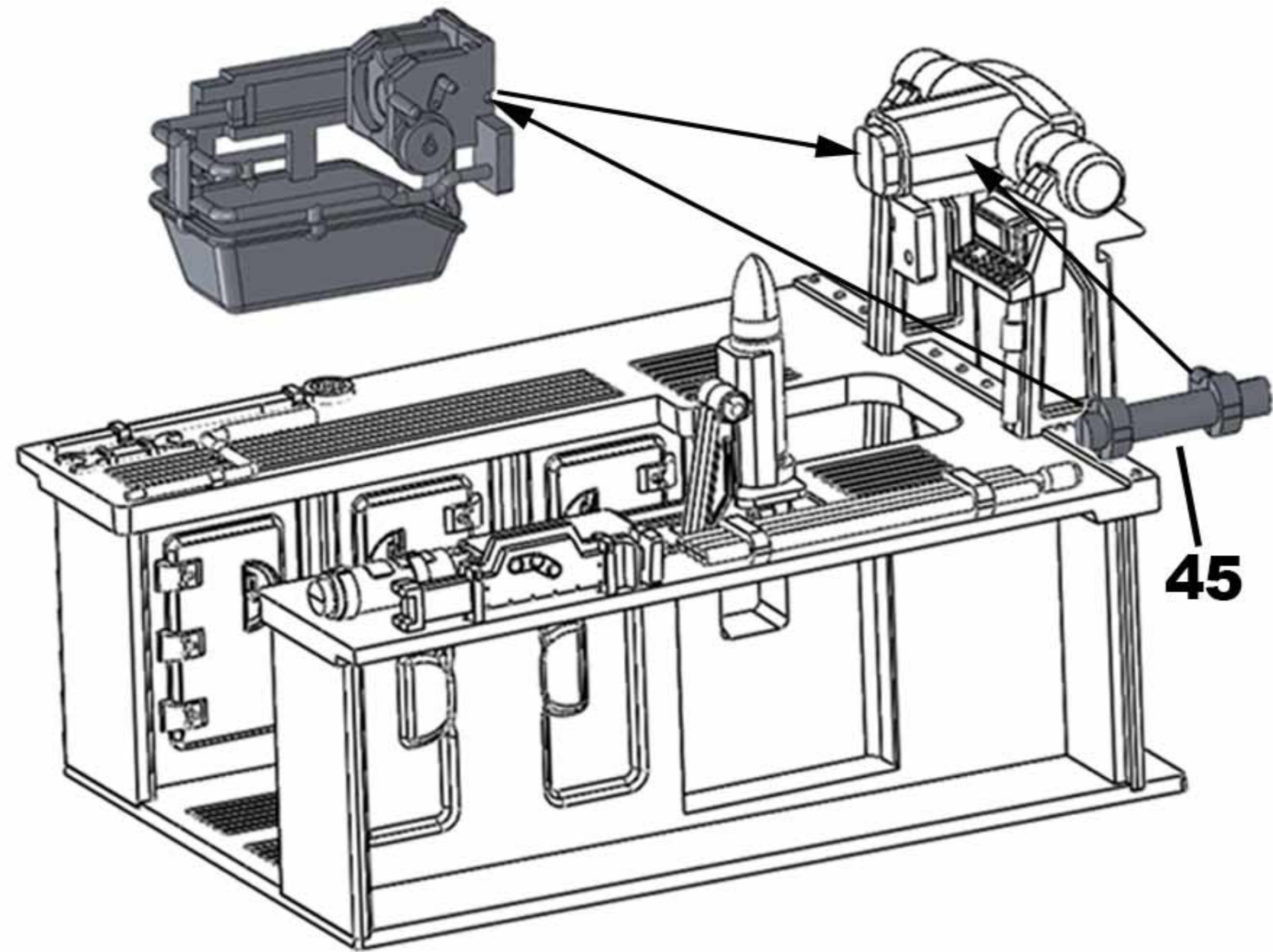
5



6



7



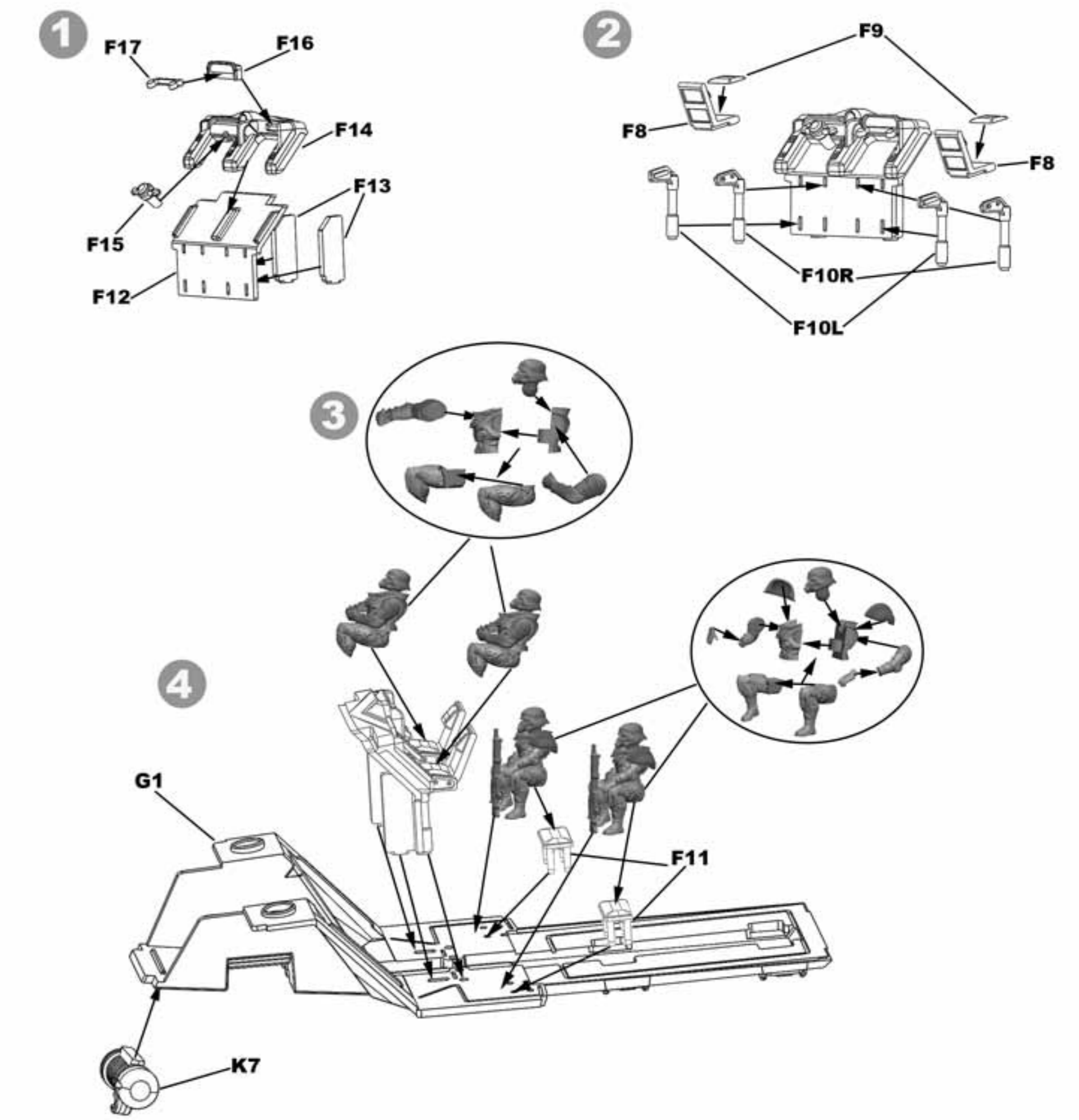
8

**(APC INSTRUCTIONS)**

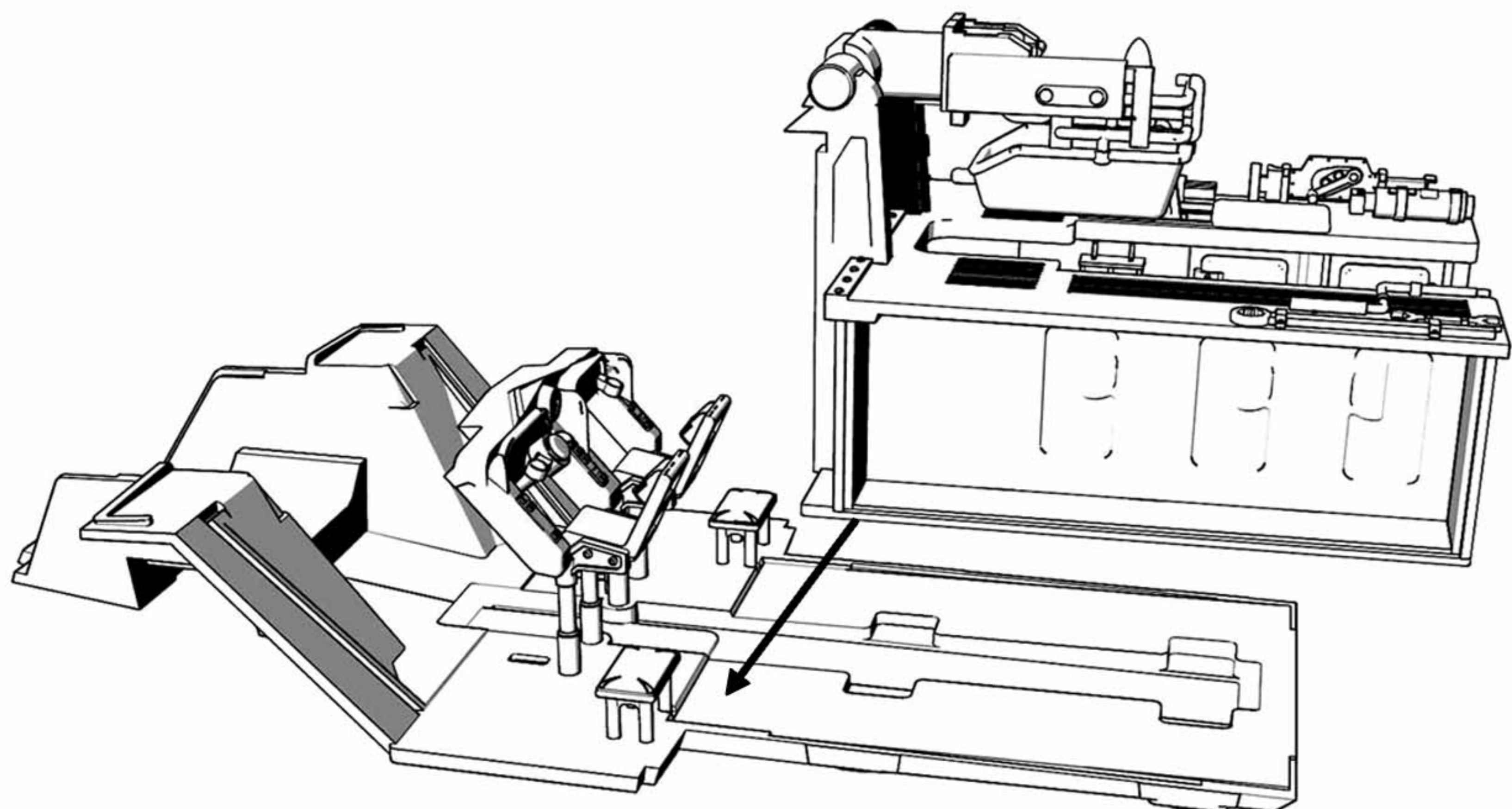
**\*Complete steps 1 through 4 of the Keilerkopf APC according to that kits instruction manual.**

**Skip steps 5-6-7**

**Adding the troopers at the side doors is optional.**



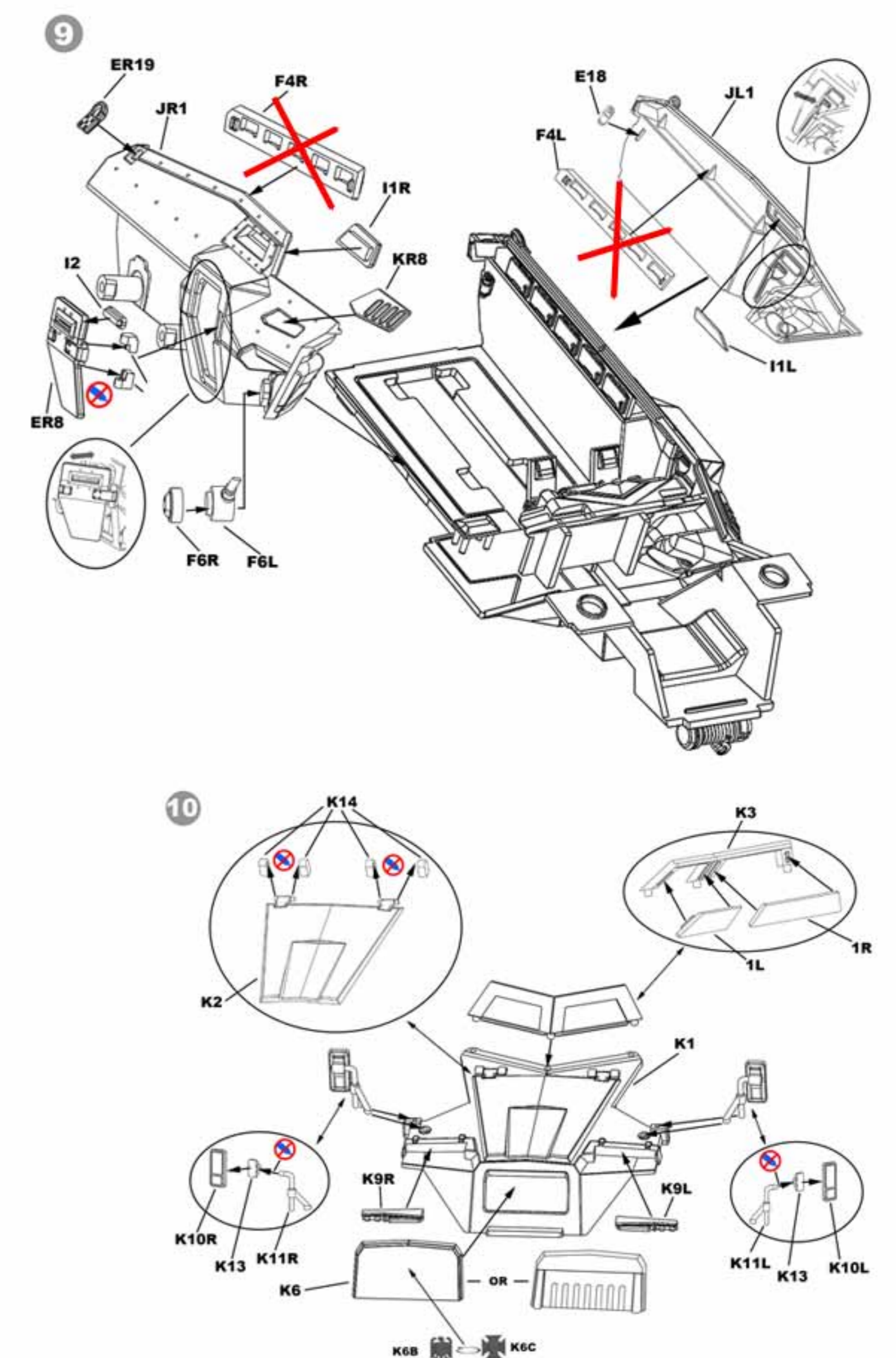
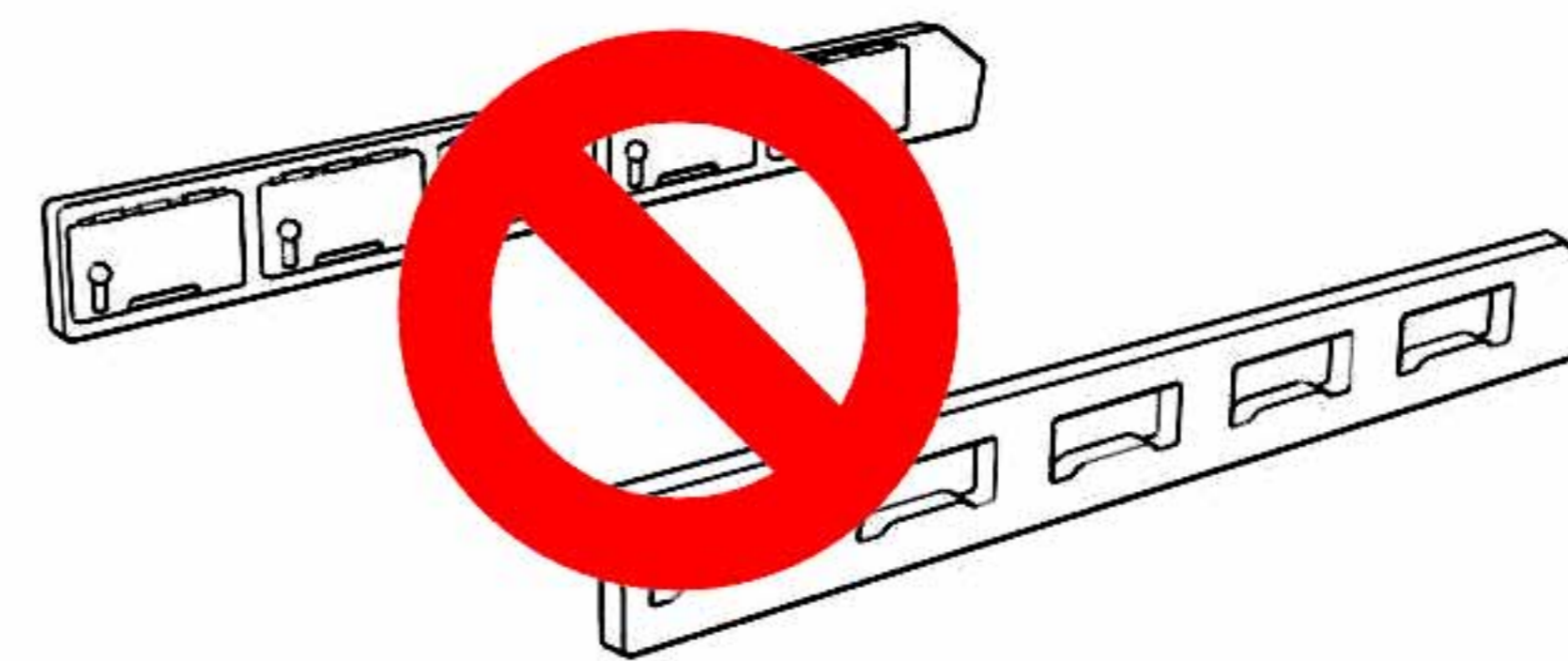
9



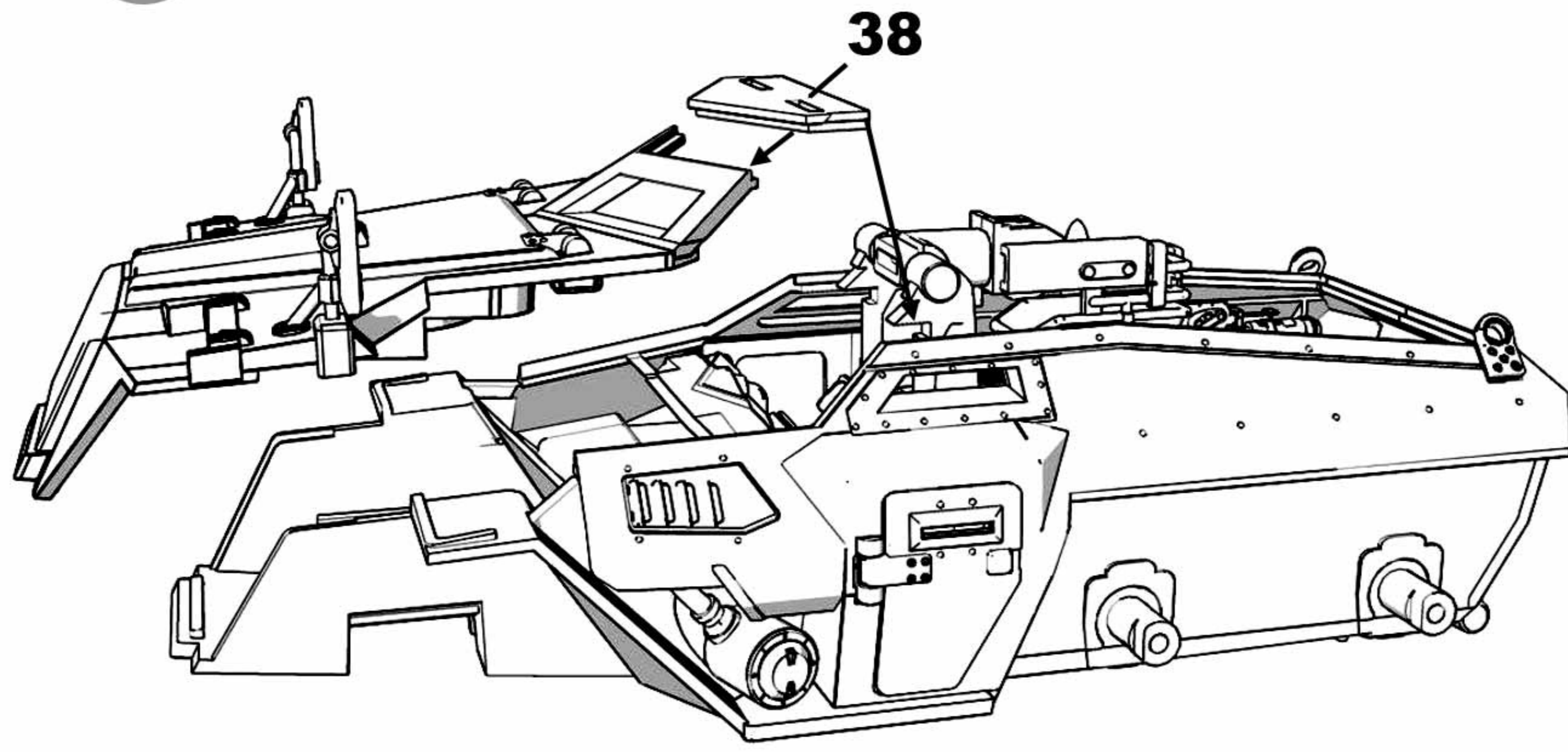
10

**(APC INSTRUCTIONS)**

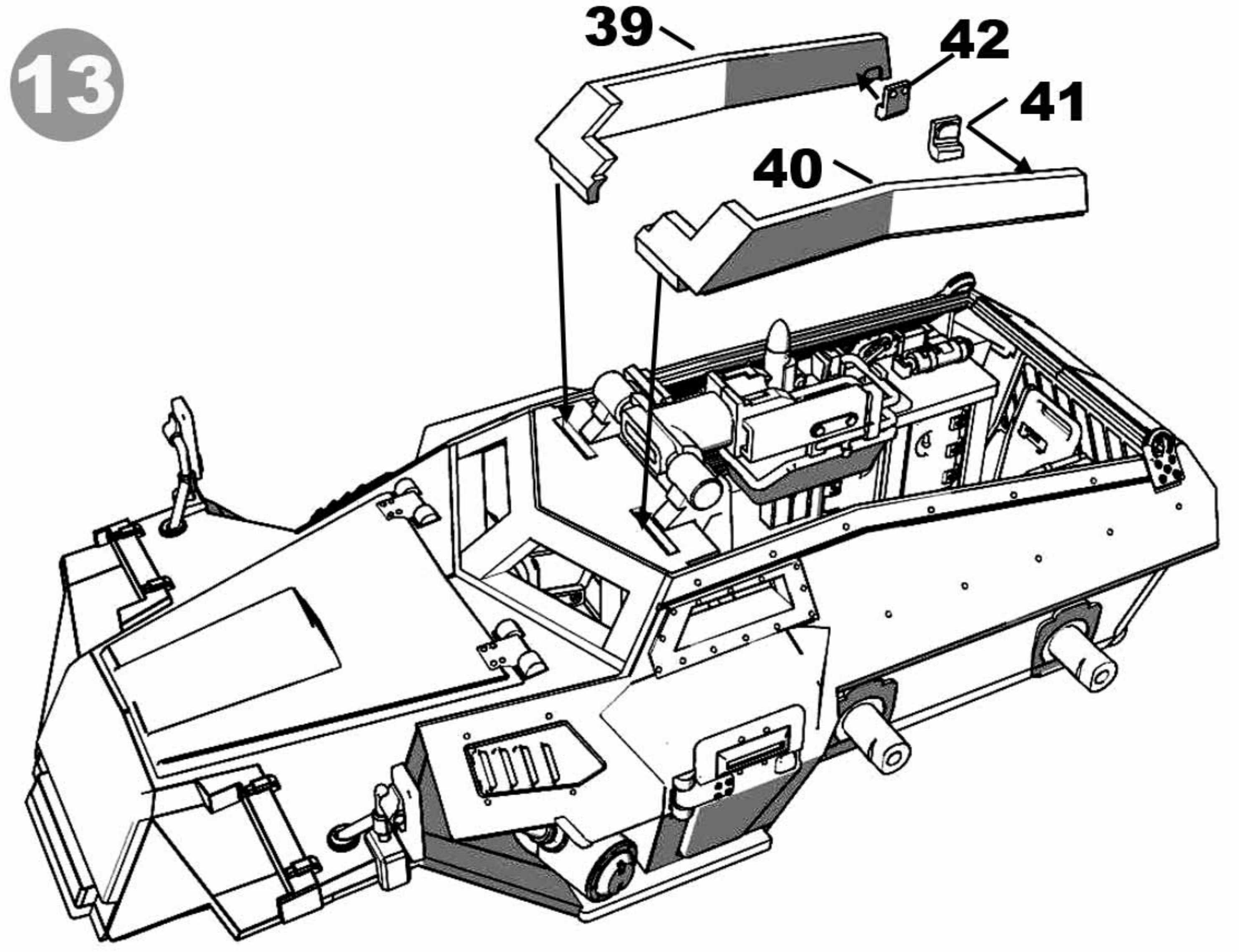
**\*Complete steps 9 through 10 of the Keilerkopf APC according to that kits instruction manual, but **DO NOT** use parts **F4R** and **F4L** from the APC.**



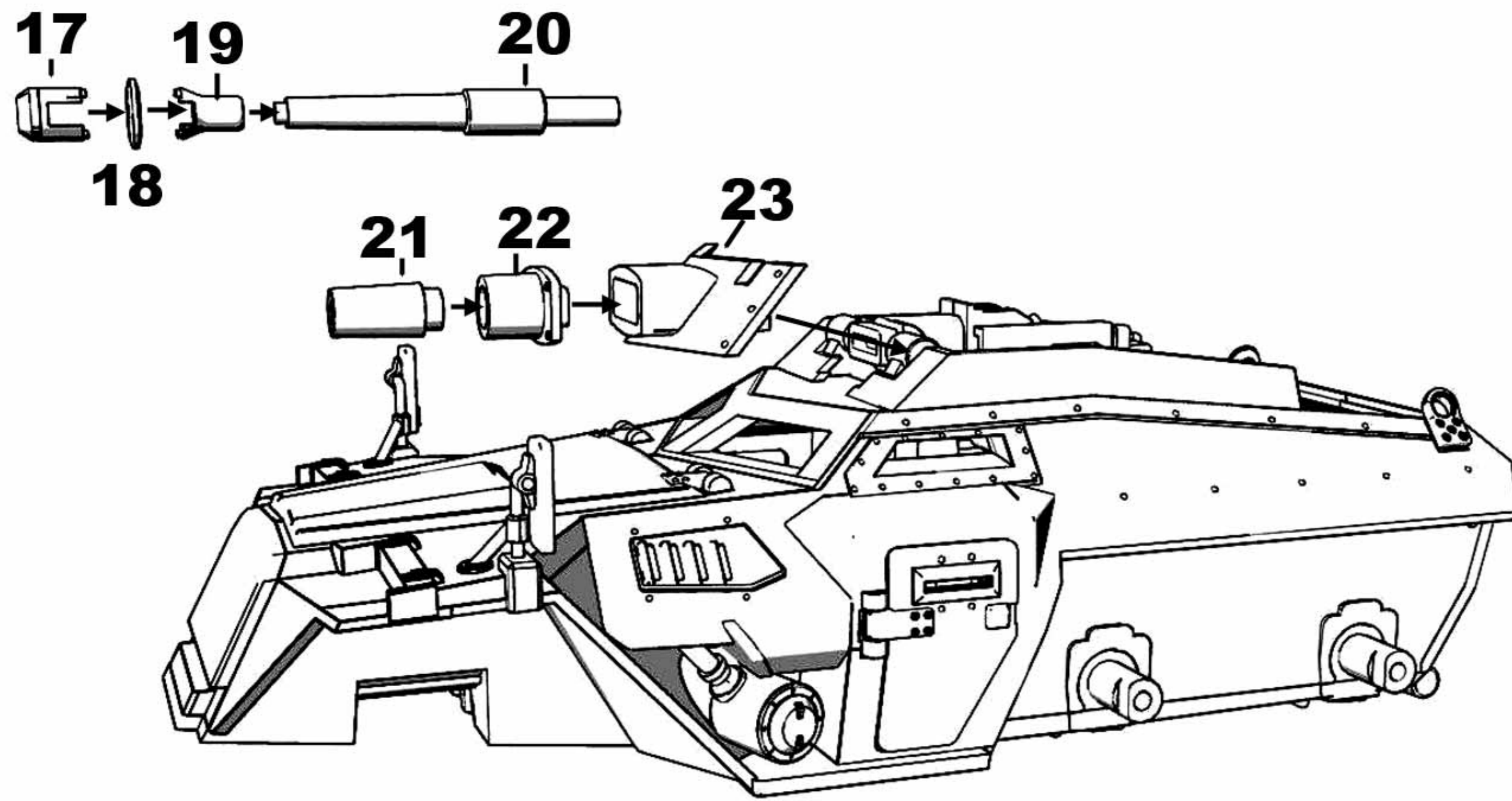
12



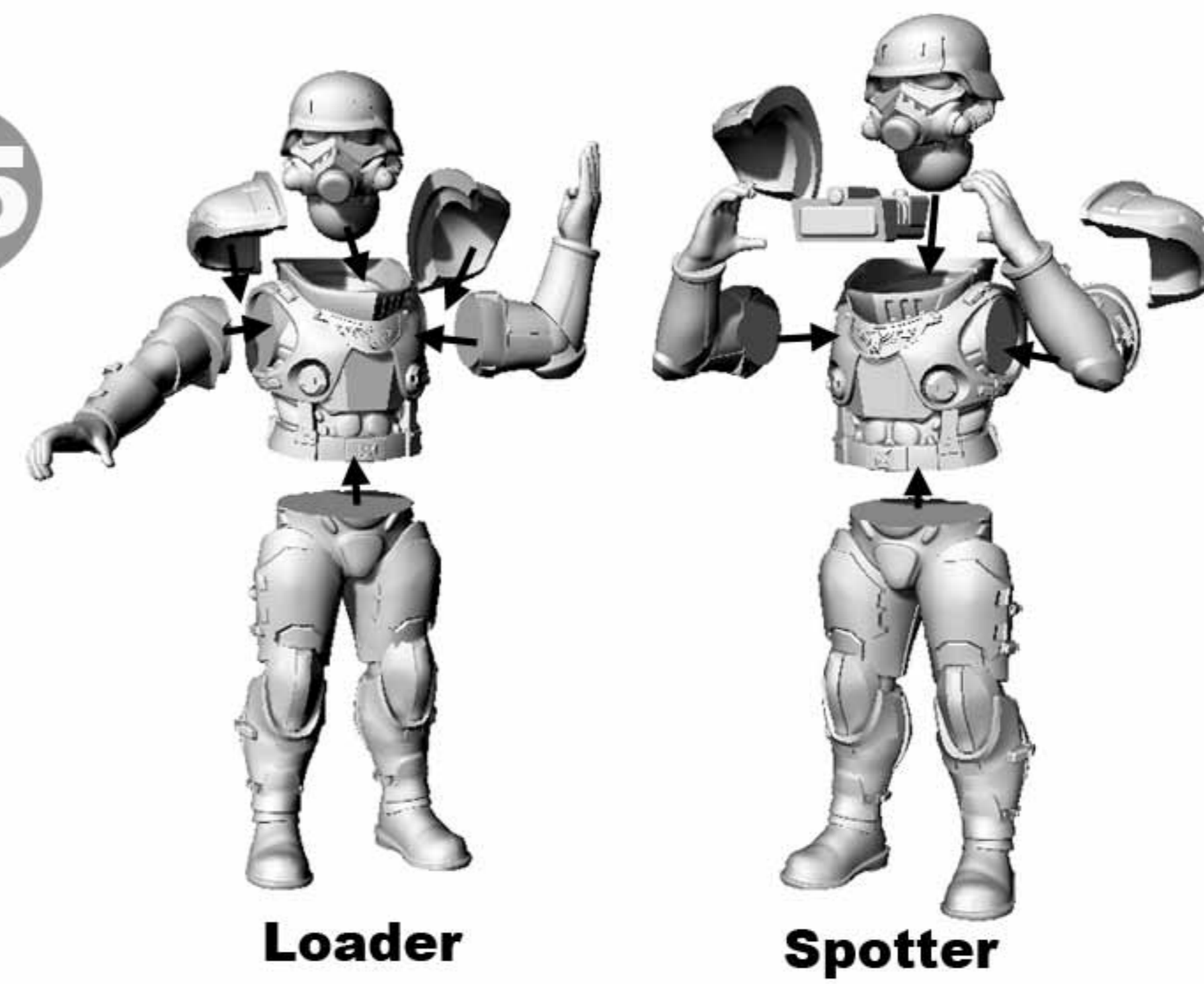
13



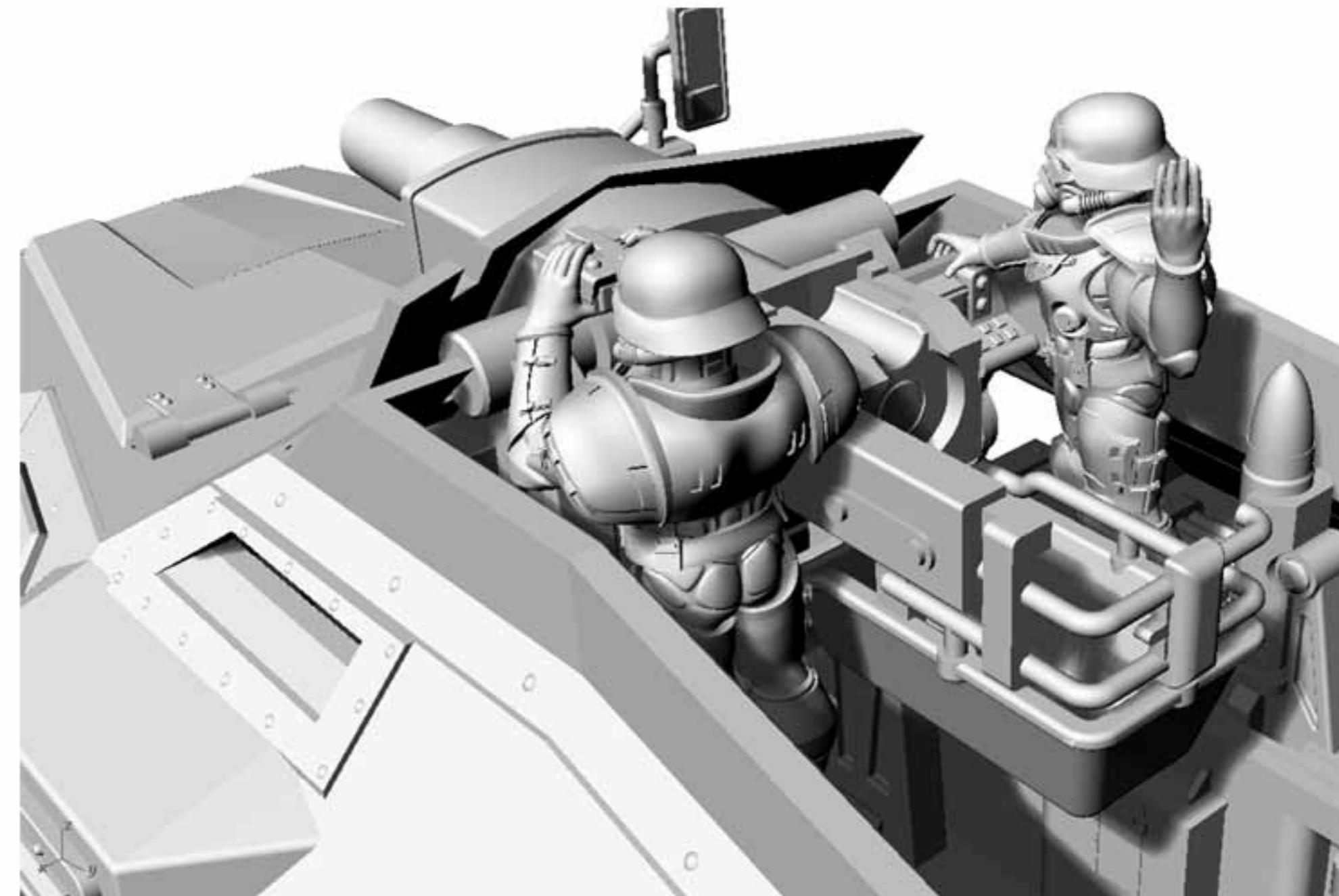
14



15



16



**(APC INSTRUCTIONS)**

**\*Complete steps 13 to 20 of the Keilerkopf APC according to that kits instruction manual.**

**Steps 21 to 25 are not needed to complete the Thor or Loki conversion.**