

URBAN BONFIRE<sup>®</sup>

# TAÏGA 36



Equipped with a space for a 24" under-counter refrigerator, this outdoor kitchen allows you to prepare your meal along with a cold, fresh drink. Convenient, easy access storage for glasses and drinkware create a casual area for guests to gather while you cook.

## Details

Length **135"** (includes countertop)

Height **36 1/2"** (± 1")

Depth **28 3/4"**

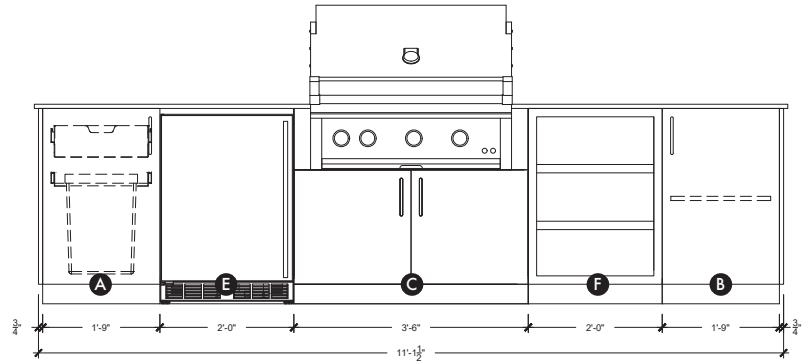
Kitchen Weight **227 lbs**

Countertop Weight **326 lbs**

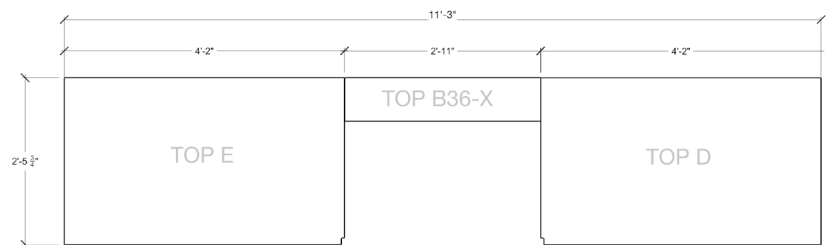
## Features

- Drawer (1)
- Refuse & Recycling Module (1)
- Shelf (1)
- Back Panels (optional)
- Dekton<sup>®</sup> Countertop (optional)

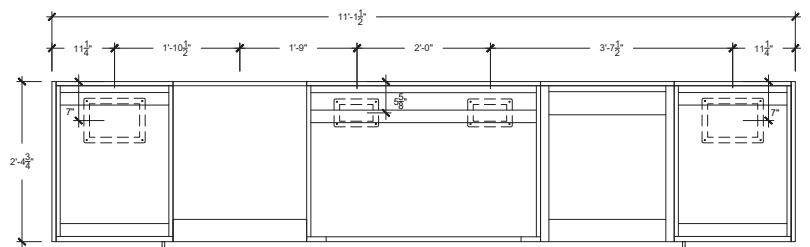
FRONT VIEW



COUNTERTOP TEMPLATE



TOP VIEW (Gas & Electrical Conduits Access Points)



FRONT VIEW (Gas & Electrical Conduits Access Points)

