

URBAN BONFIRE<sup>®</sup>

# SOHO 42



This complete outdoor kitchen offers the full experience of cooking outdoors. Create unforgettable moments with family and friends around this beautiful set-up. Versatile storage, ample countertop surface, space for a 42" grill, refrigeration, Blanco sink and Franke faucet create the perfect mix.

## Details

Length 141" (includes countertop)

Height 36 1/2" (± 1")

Depth 28 3/4"

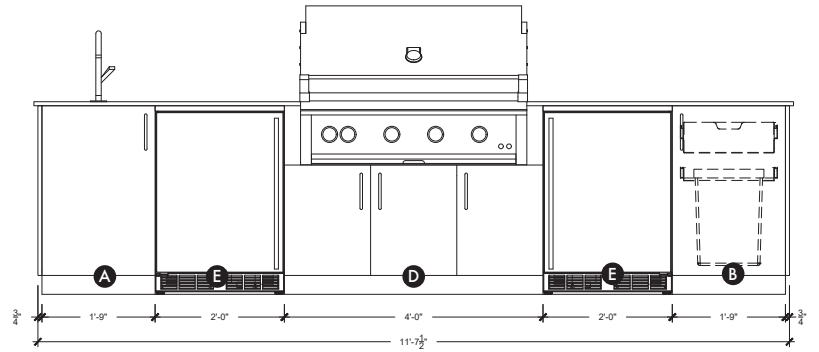
Kitchen Weight 204 lbs

Countertop Weight 302 lbs

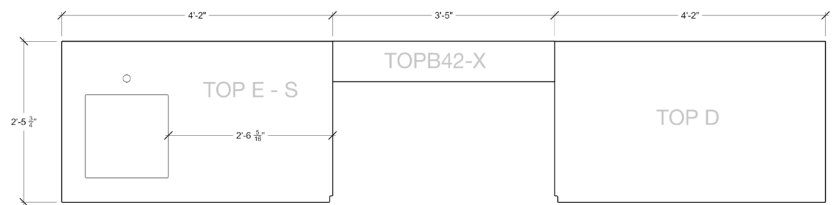
## Features

- Drawer (1)
- Refuse & Recycling Module (1)
- Sink & Faucet
- Back Panels (optional)
- Dekton<sup>®</sup> Countertop (optional)

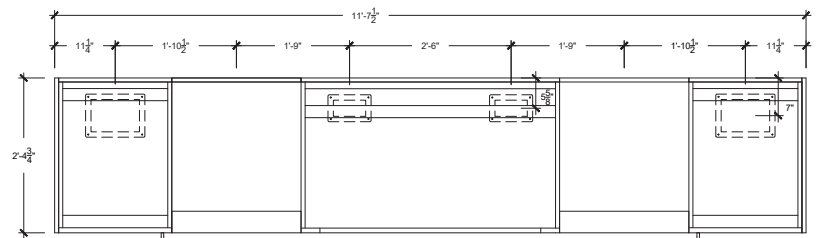
FRONT VIEW



COUNTERTOP TEMPLATE



TOP VIEW (Gas & Electrical Conduits Access Points)



FRONT VIEW (Gas & Electrical Conduits Access Points)

