



VIVID LUMEN
INDUSTRIES

WIRED SERIES

OFFROAD LIGHT BARS

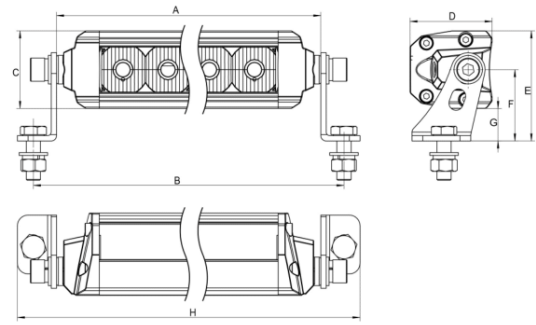
WHAT'S INCLUDED:

- 1 x LED Light Bar
- Side and Bottom Mounting Brackets
- Mounting Hardware
- Wiring Harness (Except 12" Variations)

FEATURES & SPECIFICATIONS:

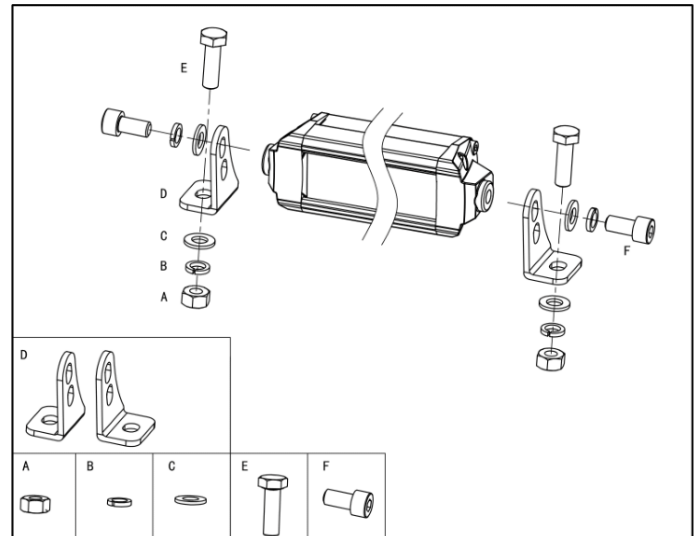
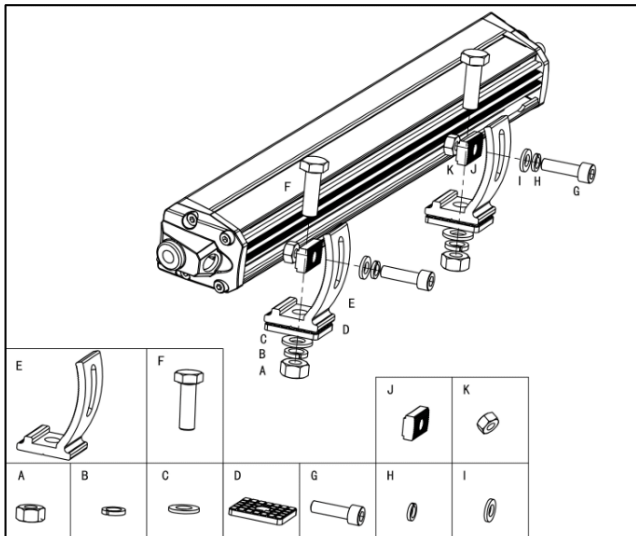
- Light Output: 3220-14230 Lumens
- LEDs: OSRAM
- Power: 60-300W
- Current: 8.8A @ 13.6V DC
- Voltage: 9 - 36V DC
- Dimension (H,W,D): 1.71"x11.81"-51.81"x1.82"
- Beam Pattern: Spot/Flood Combo

12"-White: 16112, Amber: 16212
 20"-White: 16120, Amber: 16220
 30"-White: 16130, Amber: 16230
 40"-White: 16140, Amber: 16240
 50"-White: 16150, Amber: 16250

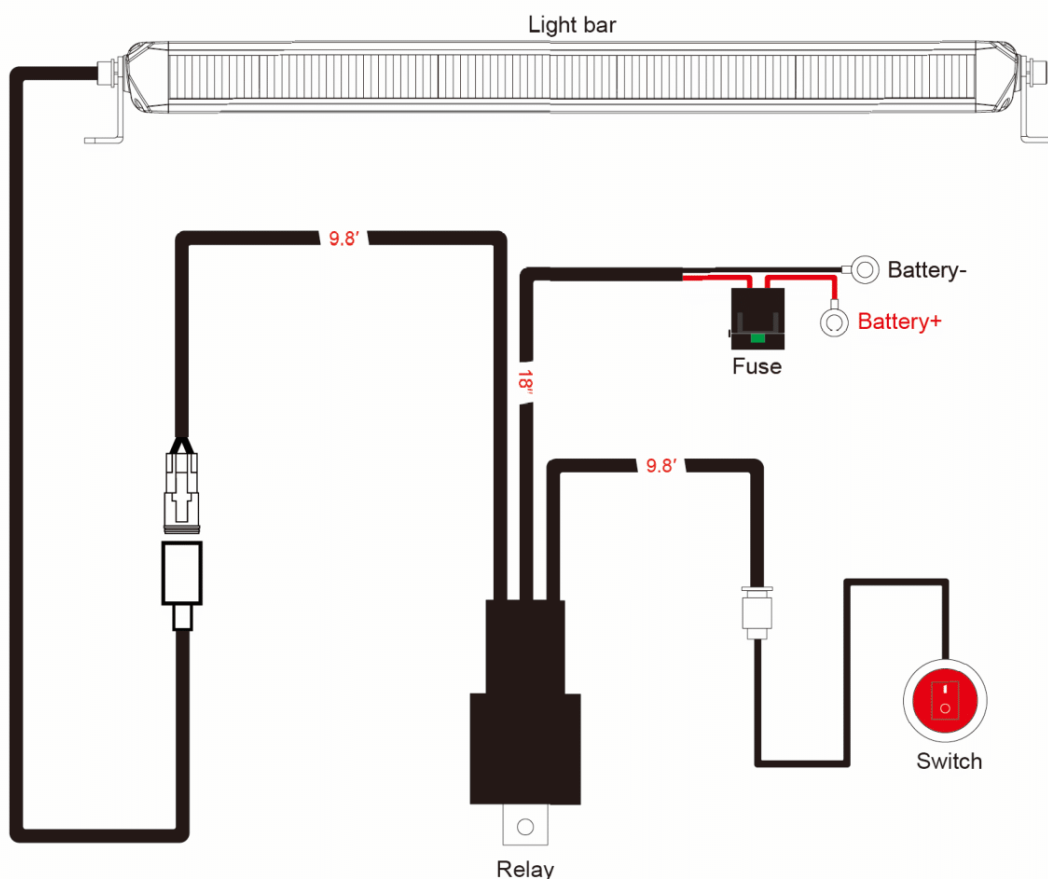


A - 11.81"-51.81" B - 12.91"-52.91" C - 1.71" D - 1.82"
 E - 2.43" F - 1.57" G - 0.72" H - 13.62"-53.62"

MOUNTING INSTALL INSTRUCTION



INSTALL INSTRUCTION



Wiring Harness not included in 12 inch variation.

1. Determine suitable mounting locations to install the LED light bar, wiring harness and switch. Once all mounting locations are confirmed, connect the wires as shown above. Proper insulation at connections is required.
2. Connect positive and negative wire properly. Press the switch button to test if the light bar is functioning properly.
3. Adjust the light to the desired angle and then secure by tightening all mounting screws.