



WHAT'S INCLUDED:

- 1 X Light Bars
- Side and Bottom Mount Brackets & Hardware
- 1 X Wiring Harness w/ Toggle Switch

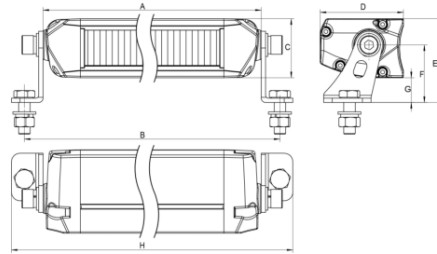
OPTIC SERIES

10" STREET LEGAL DRIVING LIGHT BAR
(15201)

6" STREET LEGAL DRIVING LIGHT BAR
(15101)

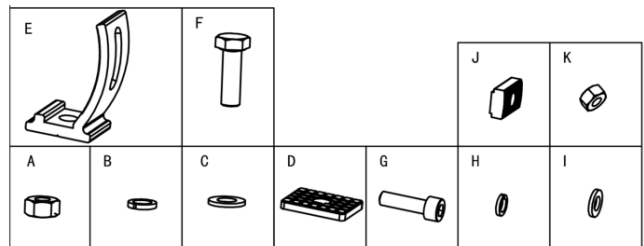
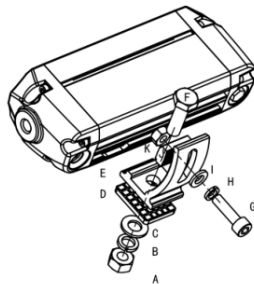
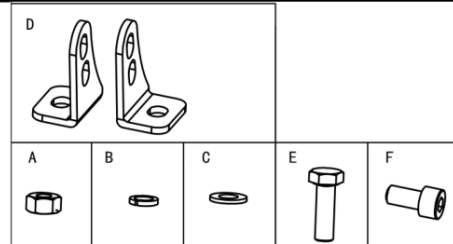
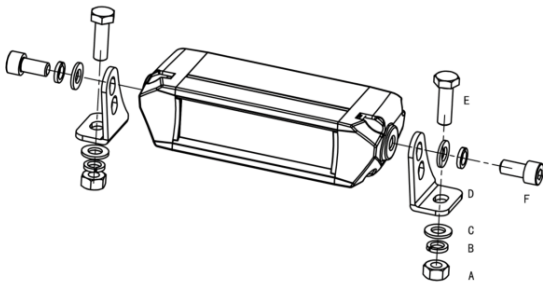
FEATURES & SPECIFICATIONS:

- LIGHT OUTPUT: 4600 Lumens (Per Light)
- POWER: 80W @ 13.6V DC
- VOLTAGE: 10 - 36V DC
- DIMENSION: 10.1 x 2.3 x 1.6"
- BEAM PATTERN:
Driving Beam (Auxiliary High Beam)
- COMPLIANCE: SAE J581

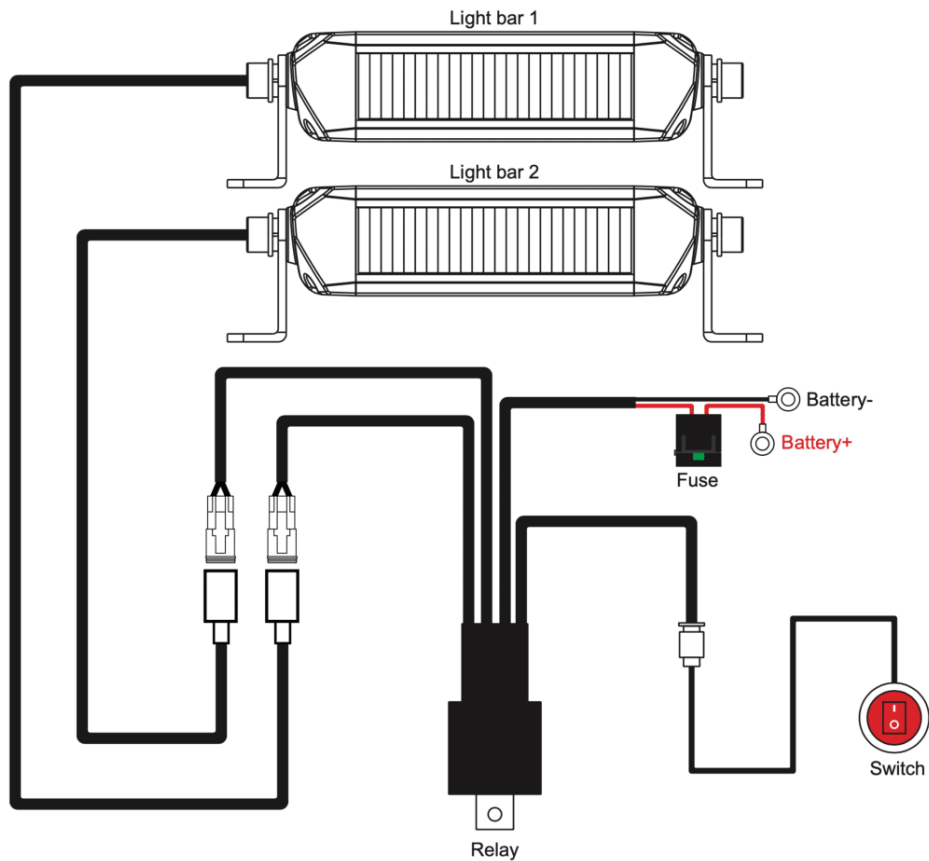


A - 10.16" B - 11.18" C - 1.61" D - 2.28"
E - 2.29" F - 1.57" G - 0.68" H - 11.89"

MOUNTING INSTALL INSTRUCTION



HARNESS INSTALL INSTRUCTION



*Note that Optic Series Lightbars are sold seperately

1. Determine suitable mounting locations to install the LED light bars, wiring harness and switch. Once all mounting locations are confirmed, connect the wires as shown above. Proper insulation at connections is required.
2. Connect positive and negative wire properly. Press the switch button to test if the lights are functioning properly.
3. Adjust the light to the desired angle and then secure by tightening all mounting screws.