



**VIVID LUMEN**  
INDUSTRIES

**WHAT'S INCLUDED:**

- 2 X LED Pods
- 2 X U Mount Brackets (Except on Flush)
- Wiring Harness

# FNG SAE SERIES

FOG LIGHT

3" STREET LEGAL POD

CUBE: 10210/10220

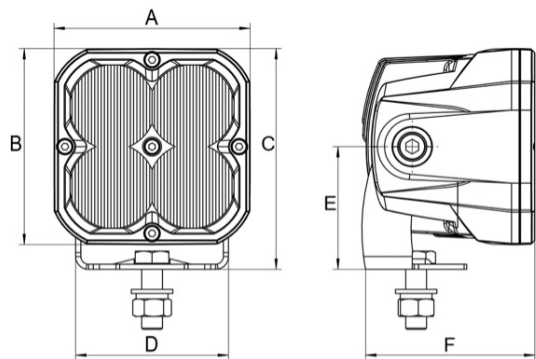
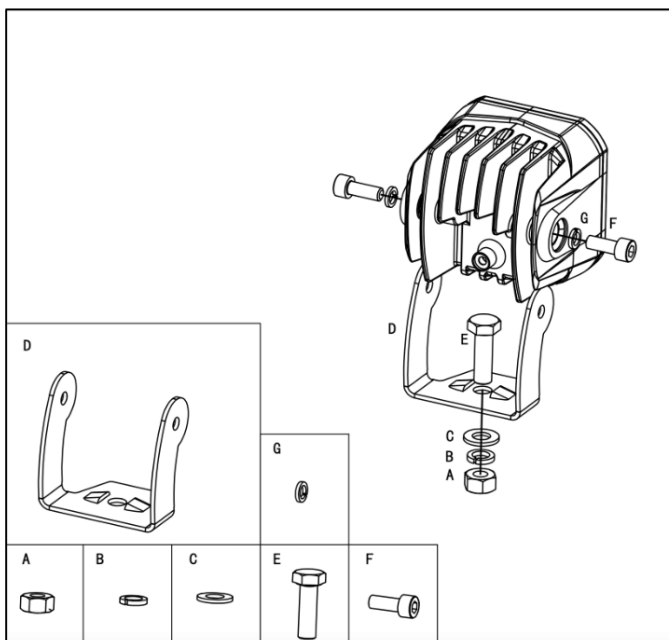
ROUND: 11210/11220

FLUSH: 12210/12220

**FEATURES & SPECIFICATIONS:**

- Light Output: 1500 Lumens (Per Light)
- Power: 20W @ 13.6V DC
- Current: 1.5A @ 13.6V DC
- Voltage: 10 - 36V DC
- Dimension (H,W,D): 3.4"x 3.0"x 2.6"
- Beam Pattern: Fog

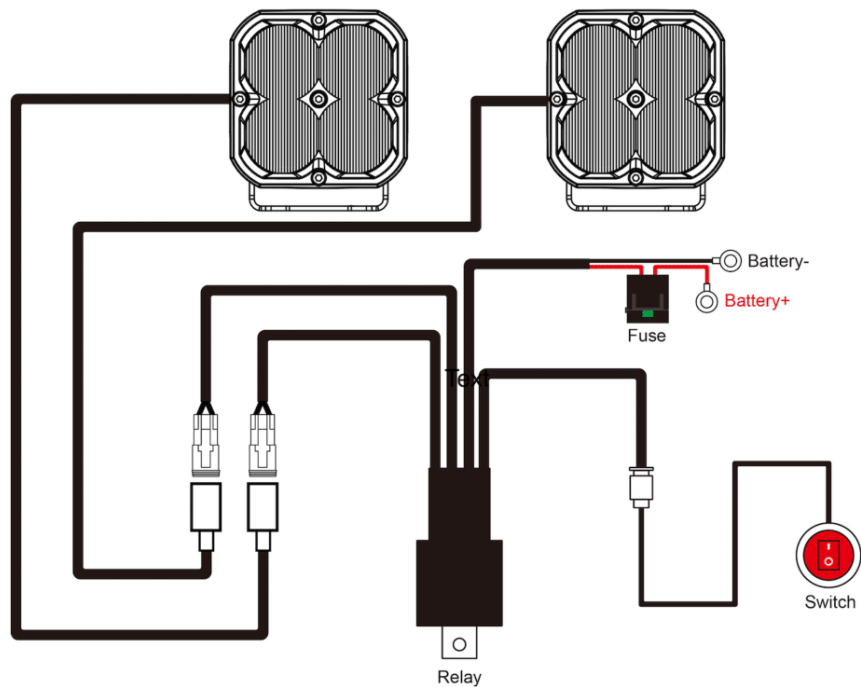
**MOUNTING BRACKET INSTALL INSTRUCTION**



A - 3.00"    B - 3.00"    C - 3.37"    D - 2.32"  
E - 1.87"    F - 2.57"

## INSTALL INSTRUCTION

---



1. This installation guide is for the following SKUs:

10210 3" SAE CUBE POD LIGHT WITH WHITE LENS, FOG BEAM  
10220 3" SAE CUBE POD LIGHT WITH AMBER LENS, FOG BEAM  
11210 3" SAE ROUND POD LIGHT WITH WHITE LENS, FOG BEAM  
11220 3" SAE ROUND POD LIGHT WITH AMBER LENS, FOG BEAM  
12210 3" SAE FLUSH POD LIGHT WITH WHITE LENS, FOG BEAM  
12220 3" SAE FLUSH POD LIGHT WITH AMBER LENS, FOG BEAM

2. Determine and suitable mounting locations to install the LED Pods, wiring harness and switch. Once all mounting locations are confirmed, connect the wires as shown above. Proper insulation at connections is required.
3. Connect positive wire and negative wire properly. Press the switch to test if the lights are functioning properly.
4. Adjust the light to the desired angle and then secure by tightening all mounting screws.