



WHAT'S INCLUDED:

- 1 X LED Pods
- 1 X U Mount Brackets (Except on Flush)

FNG INTENSE SERIES

SPOT LIGHT

3" STREET LEGAL POD

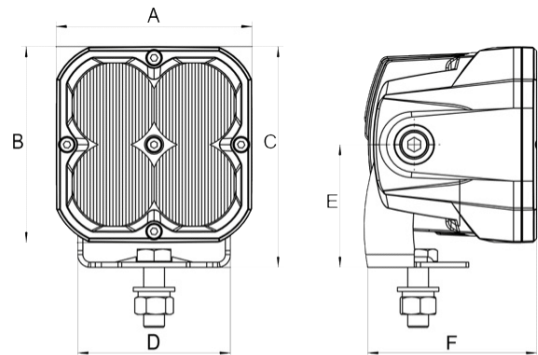
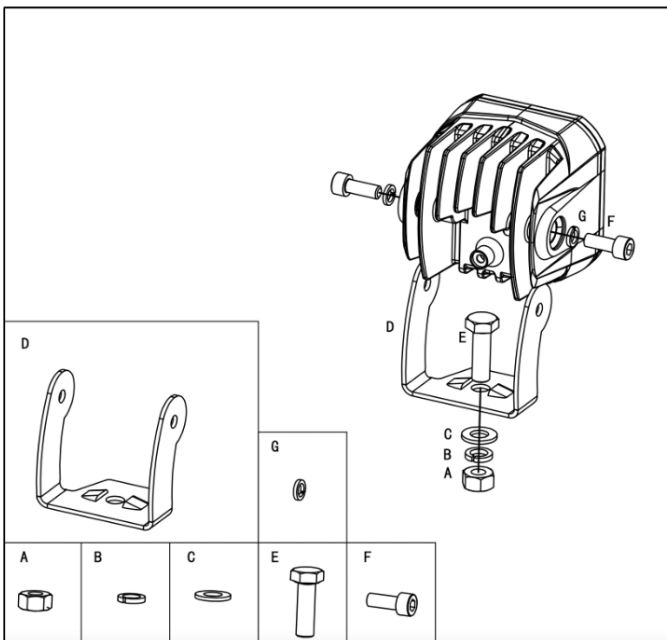
CUBE: 10410/10420

SPOT: 12410

FEATURES & SPECIFICATIONS:

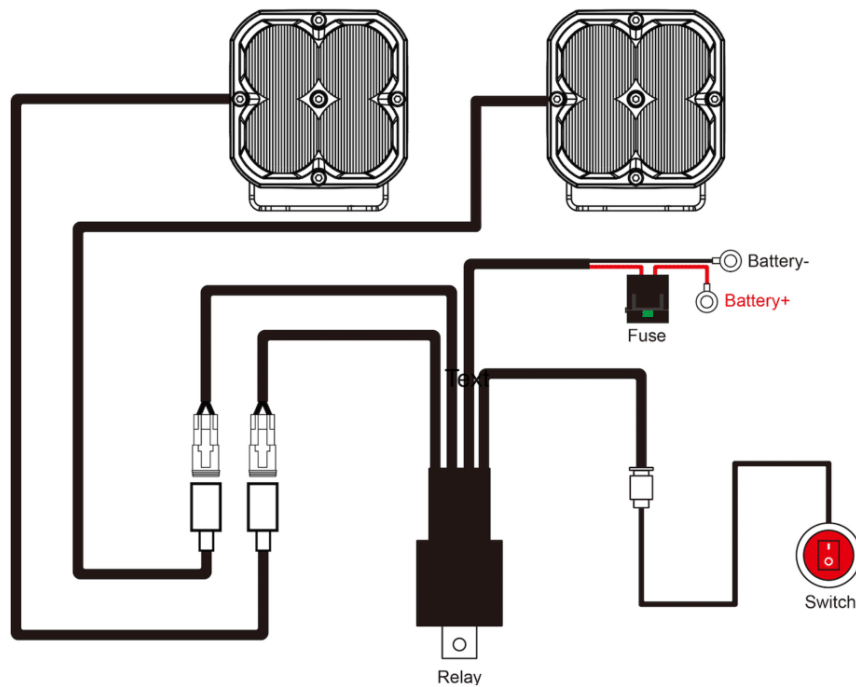
- Light Output: 1500 Lumens (Per Light)
- Power: 20W @ 13.6V DC
- Current: 1.5A @ 13.6V DC
- Voltage: 10 - 36V DC
- Dimension (H,W,D): 3.4"x 3.0"x 2.6"
- Beam Pattern: Spot

MOUNTING BRACKET INSTALL INSTRUCTION



A - 3.00" B - 3.00" C - 3.37" D - 2.32"
E - 1.87" F - 2.57"

INSTALL INSTRUCTION



Wiring Harness sold separately

*Note that the intense series comes with 1 pod light and no wire harness

1. This installation guide is for the following SKUs:
10410 3" CUBE POD LIGHT WITH WHITE LENS, SPOT BEAM
10420 3" CUBE POD LIGHT WITH AMBER LENS, SPOT BEAM
12410 3" FLUSH POD LIGHT WITH WHITE LENS, SPOT BEAM
2. Determine and suitable mounting locations to install the LED Pods, wiring harness and switch. Once all mounting locations are confirmed, connect the wires as shown above. Proper insulation at connections is required.
3. Connect positive wire and negative wire properly. Press the switch to test if the lights are functioning properly.
4. Adjust the light to the desired angle and then secure by tightening all mounting screws.