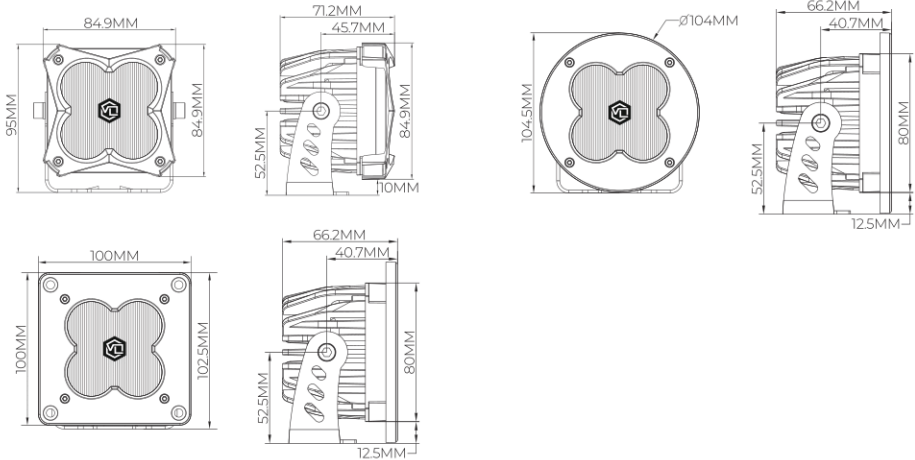


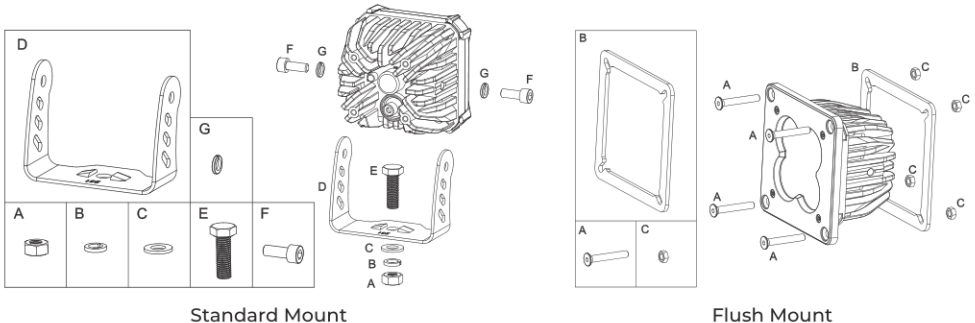
SPECIFICATIONS:

Voltage: 9-36V DC	Power: 30W (Per Light)	Waterproof Rate: IP67
LEDs: OSRAM	Theoretical Lumen: 2500 Lumen (Per Light)	Optional Types: Standard / Round / Flush Mount
Optional Beam Patterns: Auxiliary High Beam/Driving (SAE J581) Auxiliary Fog Light (SAE J583) Spot Flood	What's included for Driving / Fog Beam: 2 X LED Pods 2 X Bottom Mount Brackets (not included in flush mount version) Wire Harness + Switch Mounting Hardware	What's included for Spot / Flood Beam: 1 X LED Pods 1 X Bottom Mount Bracket (not included in flush mount version) 1 X Male DT Connector Pigtail Mounting Hardware

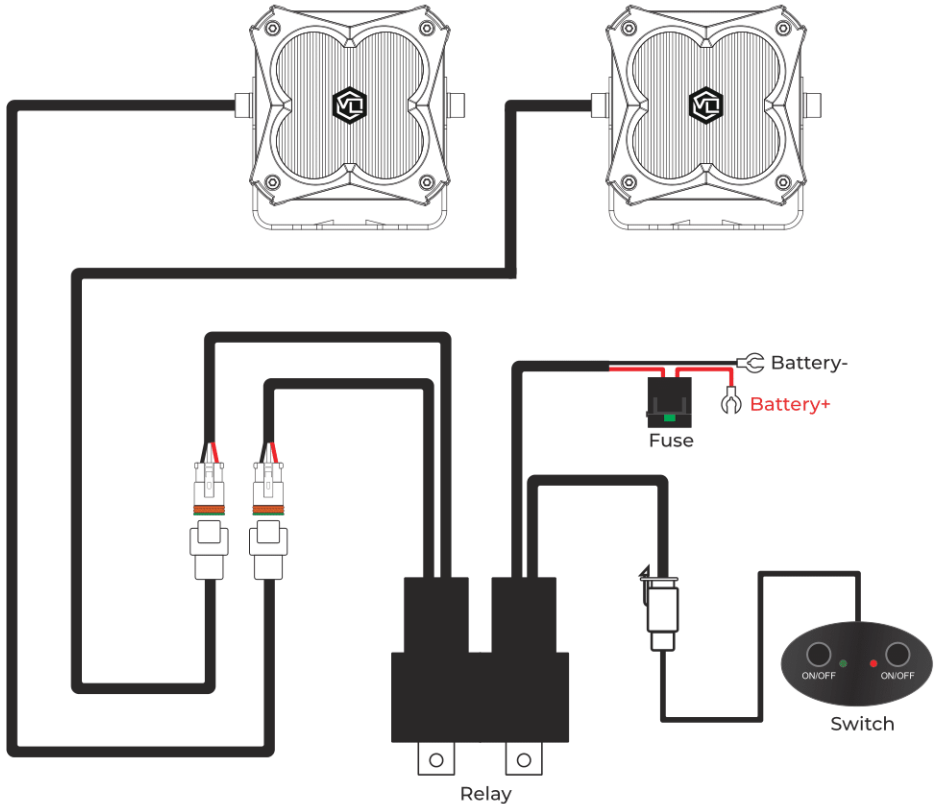
DIMENSIONS:



MOUNTING BRACKET INSTALLATION GUIDE:



HARNESS INSTALLATION GUIDE



For driving and fog beam

1. Determine the appropriate mounting locations to install the LED Pods, wiring harness and switch. Once all mounting locations are confirmed, connect the wires as shown above. Proper insulation at connections is required.
2. Connect positive wire and negative wire properly. Press the switch to test if the lights are working properly.
3. Adjust the light to the desired angle and then secure by tightening all mounting screws.