



VIVID LUMEN
INDUSTRIES

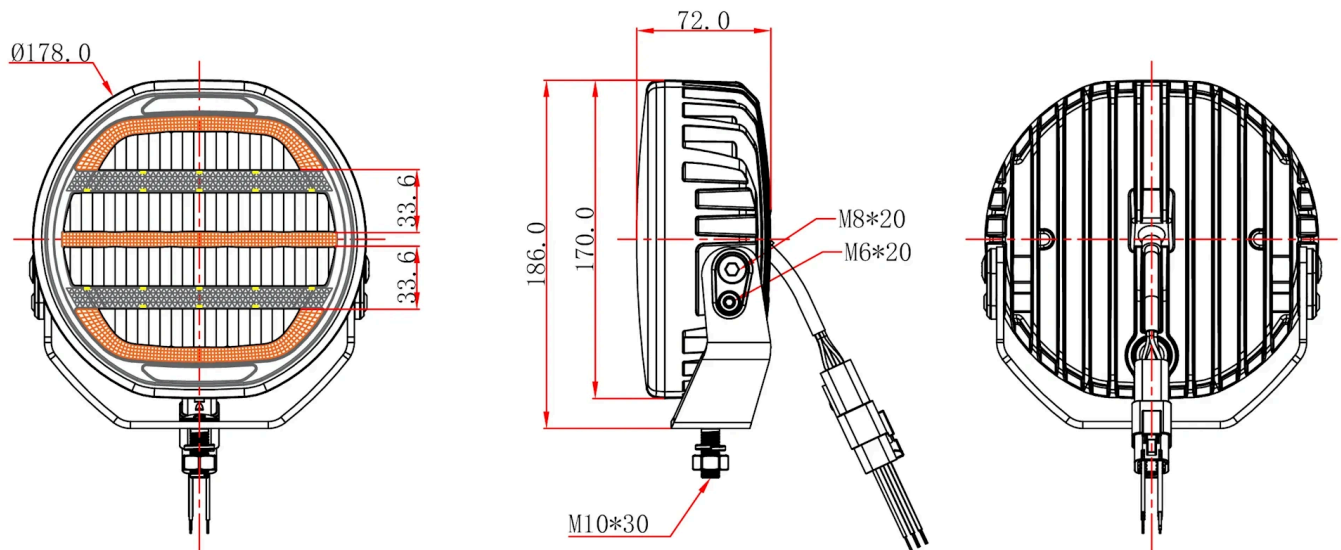
DEFENDER **KA**

7" Round Driving/Position Light

SPECIFICATIONS:

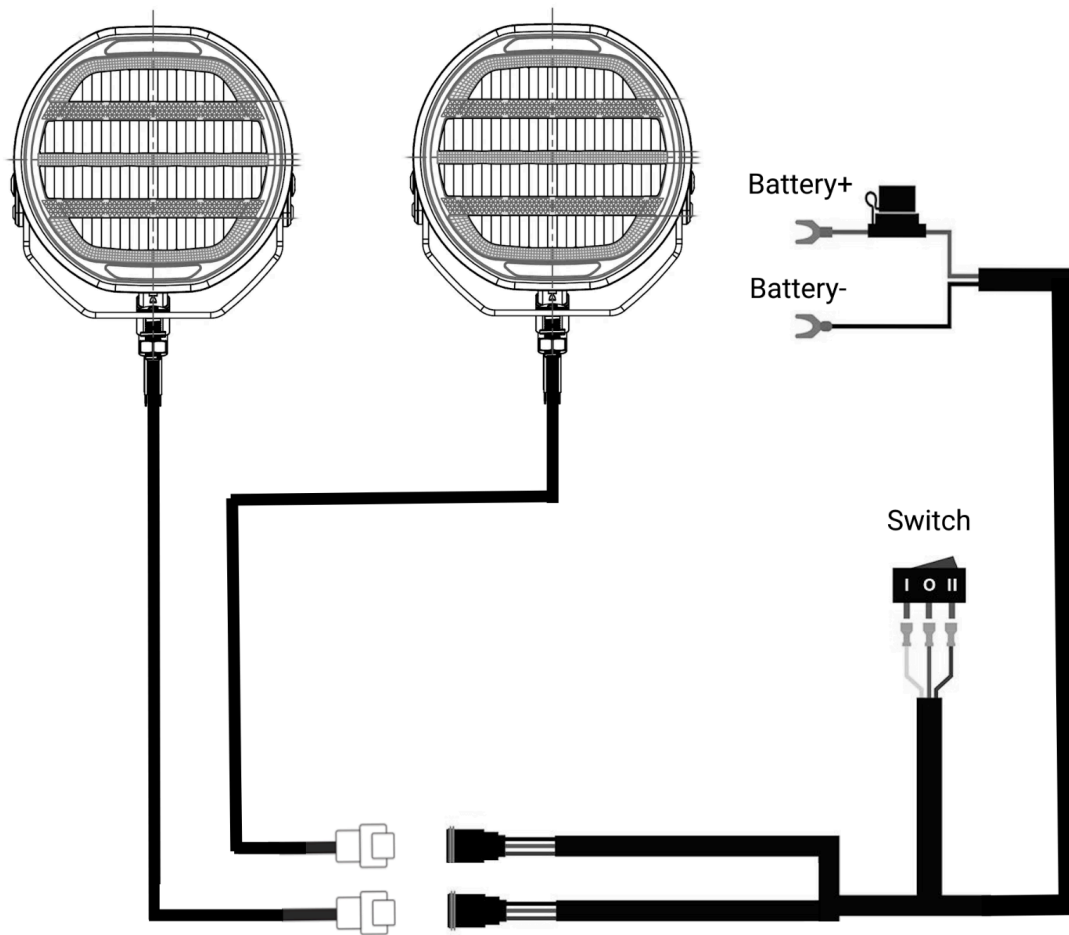
| | | |
|---------------------------------|--|---|
| Voltage: 12-35 V DC | Power: 80W Per Light | Waterproof Rate: IP67/IP69K |
| LEDs: OSRAM | Theoretical Lumens: 7200 Lumens Per Light | Style: 7" Round |
| Beam Pattern: Driving | What's Included: 1 x 7" Round LED Driving Light (Harness not included) | Certification: ECE R149, R148 |

Dimensions:



*All Measurements In Millimeters

HARNES INSTALLATION GUIDE



1. Determine the appropriate mounting locations to install the LED Pods, wiring harness and switch. Once all mounting locations are confirmed, connect the wires as shown above. Proper insulation at connections is required.
2. Connect positive wire and negative wire properly. Press the switch to test if the lights are working properly.
3. Adjust the light to the desired angle and then secure by tightening all mounting screws.