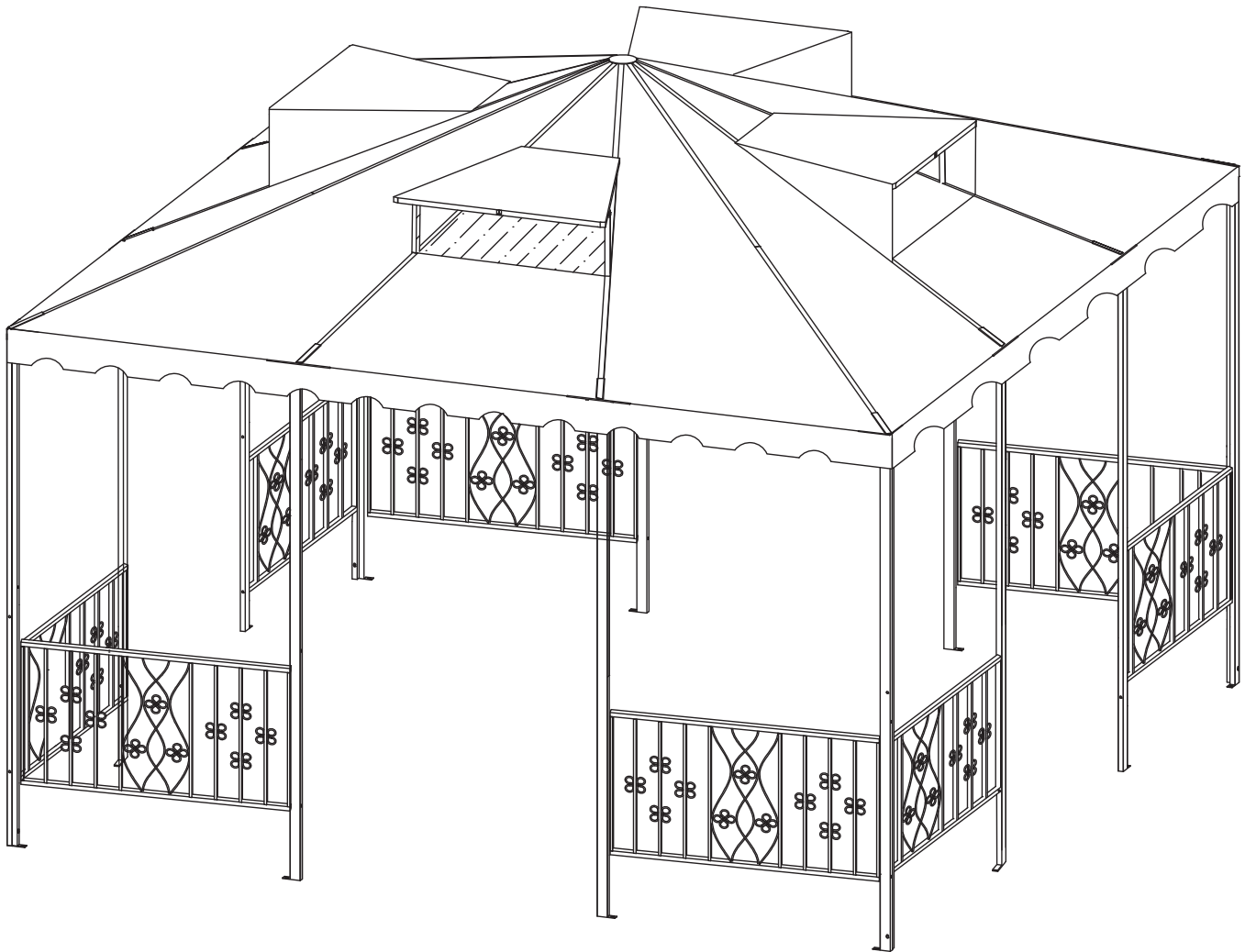


Veranda Gazebo

Item Numbers: PC-10177 and PC-30177



Assembly Instructions and Owner's Manual

(Actual canopy top color and panel design may vary - available in taupe and chocolate)



Agora Outdoor Living™
Design and Manufacture by
Pacific Currents Inc.

**Thank you for choosing a Pacific Currents Product.
Please make sure you have carefully read and understood
these assembly instructions before you begin.**

Pre-Assembly Steps

Prepare the work area:

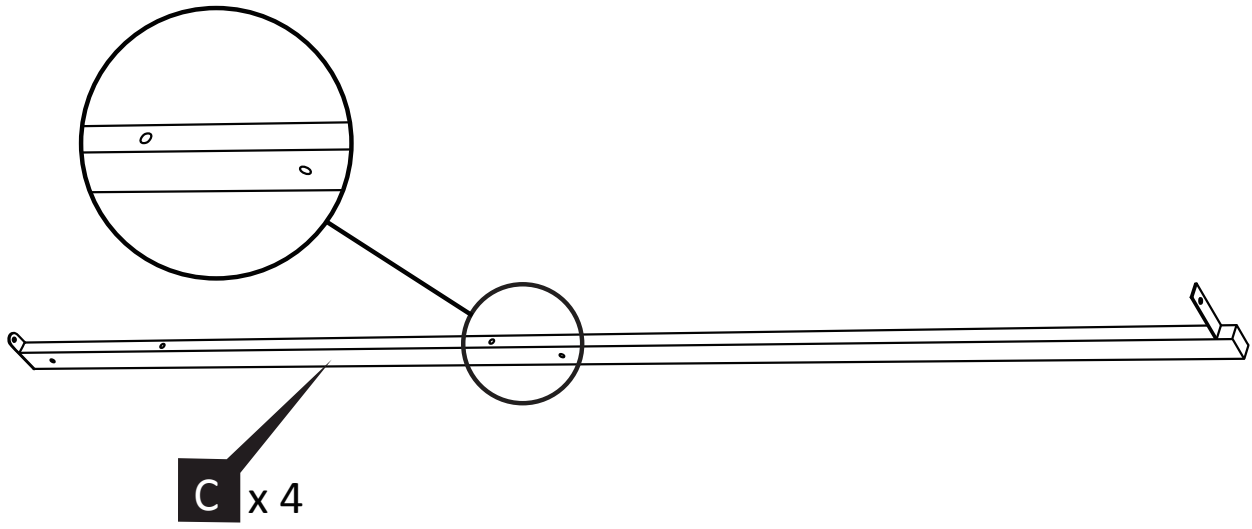
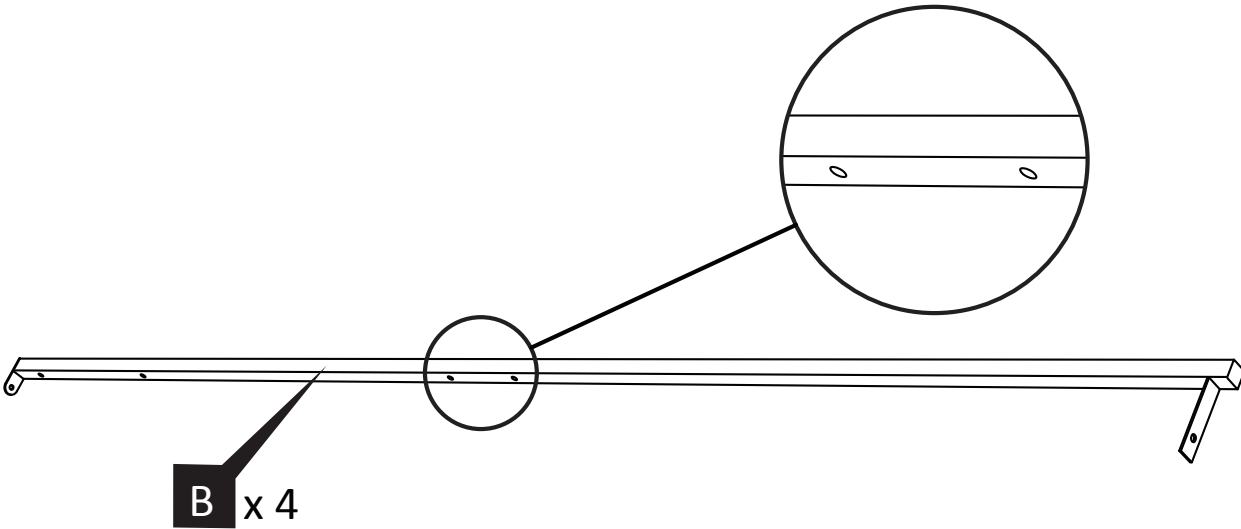
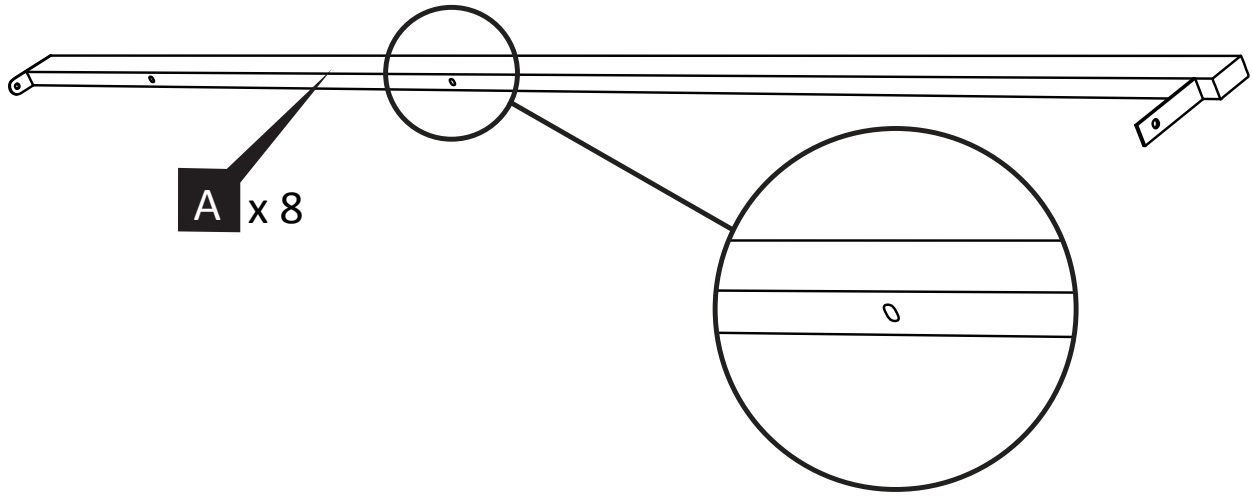
- ❑ First, compare the parts in the box with the parts list on the following pages and make sure that none are missing. If you discover any missing parts, please visit **www.pacificcurrentsinc.com** or call **888-474-2770**. ***Save your sales receipt*** as you will need this to obtain service.
- ❑ Choose and measure the **final location** where you would like to place the product and ensure that it will fit a 12' x 12' rectangle with 11' height clearance. Then, choose an **assembly area** as close as possible to this final location and large enough to layout and pre-assemble all the parts for this Gazebo.
- ❑ It is highly recommended that you cover the work surface with a tarp or other fabric to prevent scratches to the finish during assembly.
- ❑ You will need these additional tools: a ladder and an adjustable wrench.
- ❑ You may also need these additional tools (optional): work gloves, waterproofing spray.

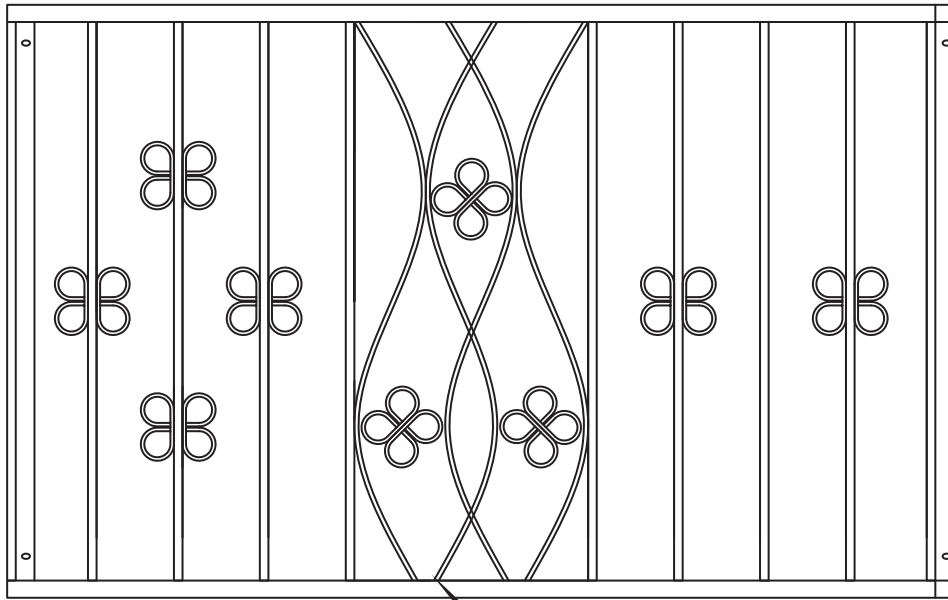
General Notes:

1. You will need the help of another person to assemble this product. Please ask a friend or neighbor for assistance!
2. Once a unit has been pre-assembled in each step, please set it aside until further instructions.
3. For all customers, we highly recommend that you **remove your canopy top** in cases of severe inclement weather such as thunderstorms. Please exercise good judgement.
4. You do not need to disassemble the gazebo during winter months. However, to prevent damage to the frame and canvas top due heavy snow loads, remove the canvas top and store it in a dry location until spring.

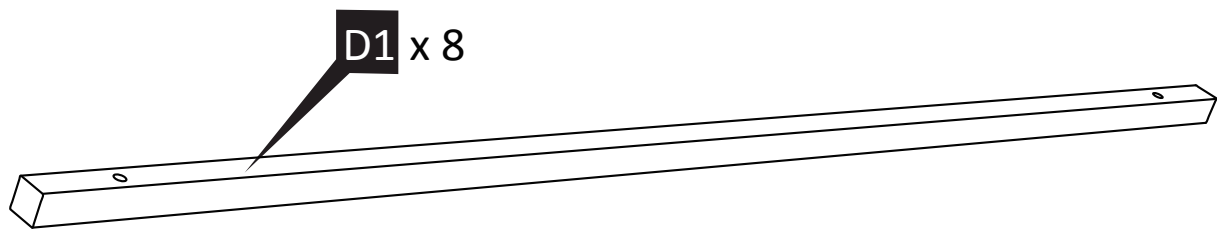
Parts Identification

(Note: Not drawn to Scale)

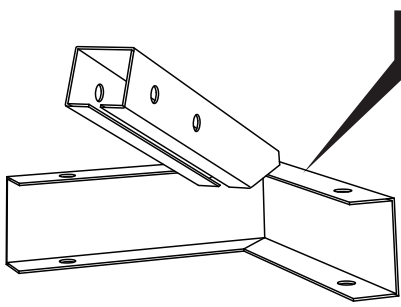




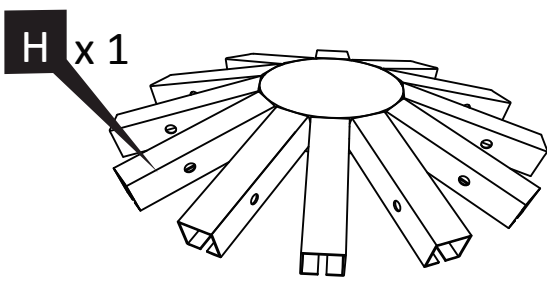
I x 8



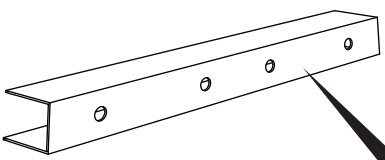
D1 x 8



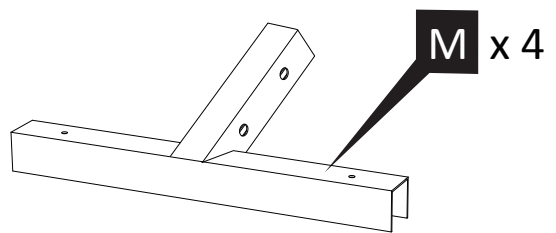
K x 4



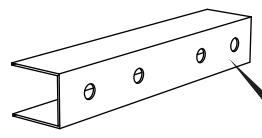
H x 1



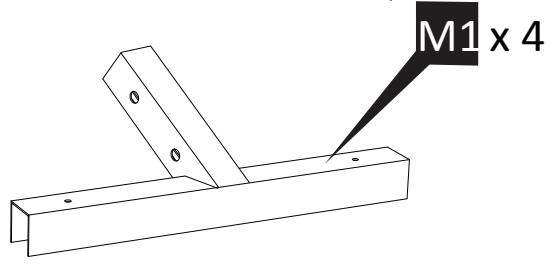
L x 4



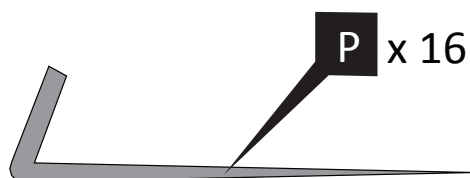
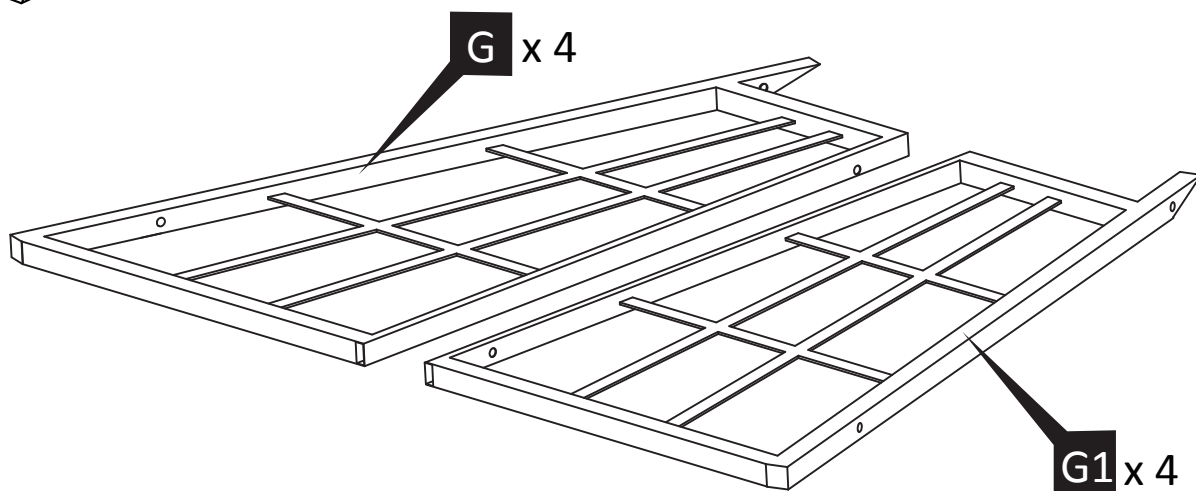
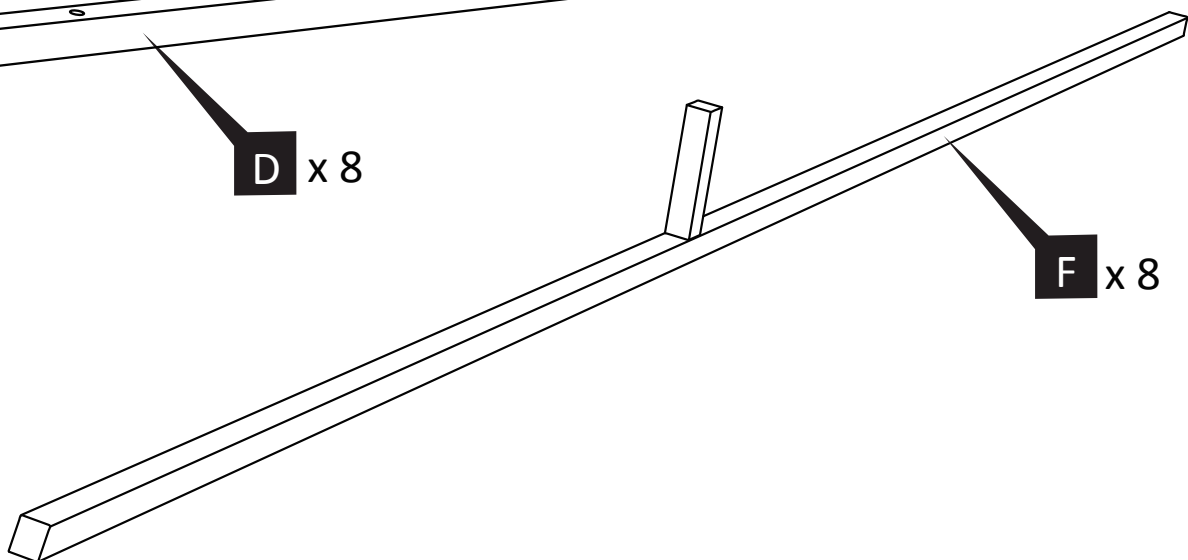
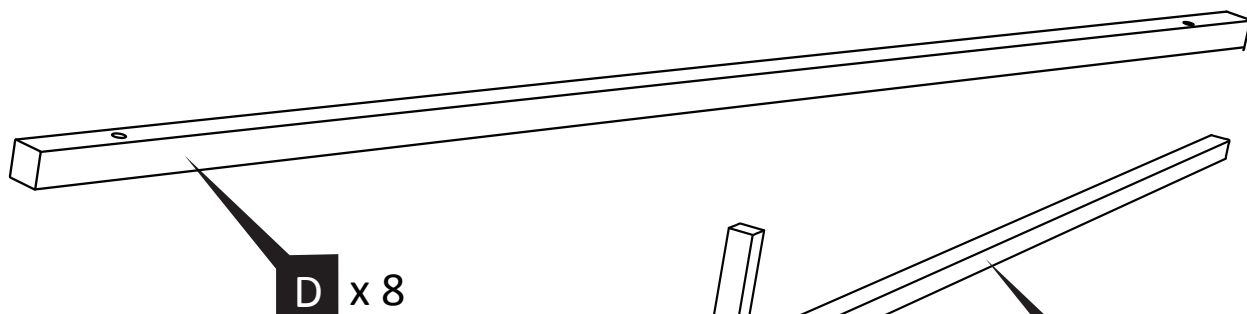
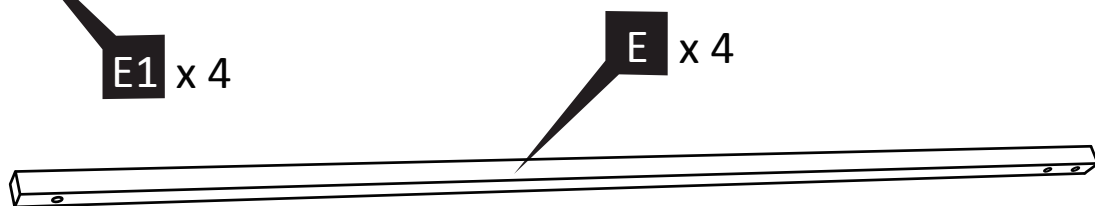
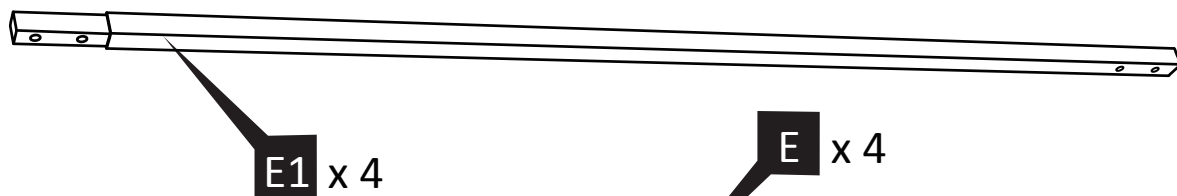
M x 4



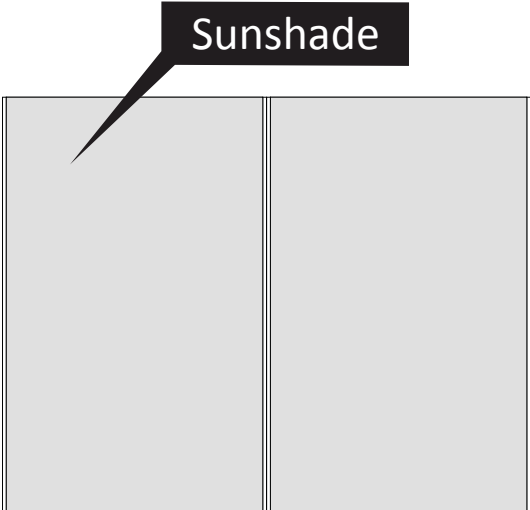
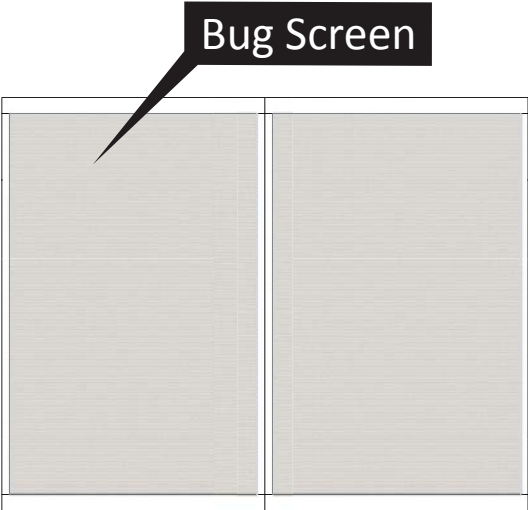
N x 4



M1 x 4



Additional Parts (Sold Separately)



Hardware Identification

Step 1

Bolt Set

X [x 16]

M6X60

2-3/8" Length Bolt

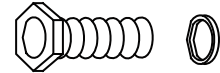


Bolt Set

S [x 8]

M6X20

25/32" Length Bolt



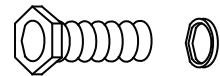
Step 2

Bolt Set

S [x 8]

M6X20

25/32" Length Bolt



Bolt Set

X [x 8]

M6X60

2-3/8" Length Bolt

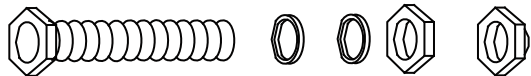


Bolt Set

U [x 8]

M6X40

1-9/16" Length Bolt



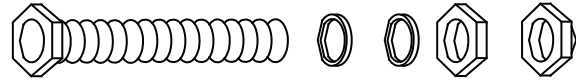
Step 3

Bolt Set

Q [x 8]

M6X50

2-1/16" Length Bolt



Step 4

Bolt Set

R [x 16]

M6X30

1-1/4" Length Bolt



Step 5

Bolt Set

R [x 8]

M6X30

1-1/4" Length Bolt

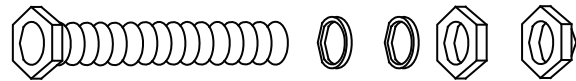


Bolt Set

Q [x 8]

M6X50

2-1/16" Length Bolt

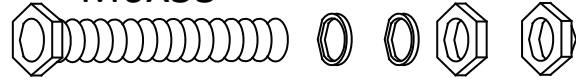


Bolt Set

T [x 8]

M6X55

2-1/6" Length Bolt



Step 6

Bolt Set

R [x 16]

M6X30

1-1/4" Length Bolt



Step 7

Bolt Set

R [x 12]

M6X30

1-1/4" Length Bolt



Bolt Set

V [x 24]

M6X35

1-3/10" Length Bolt



Step 8

Bolt Set

R [x 8]

M6X30

1-1/4" Length Bolt

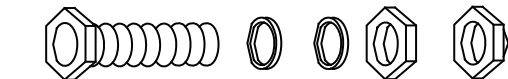


Bolt Set

V [x 16]

M6X35

1-3/10" Length Bolt



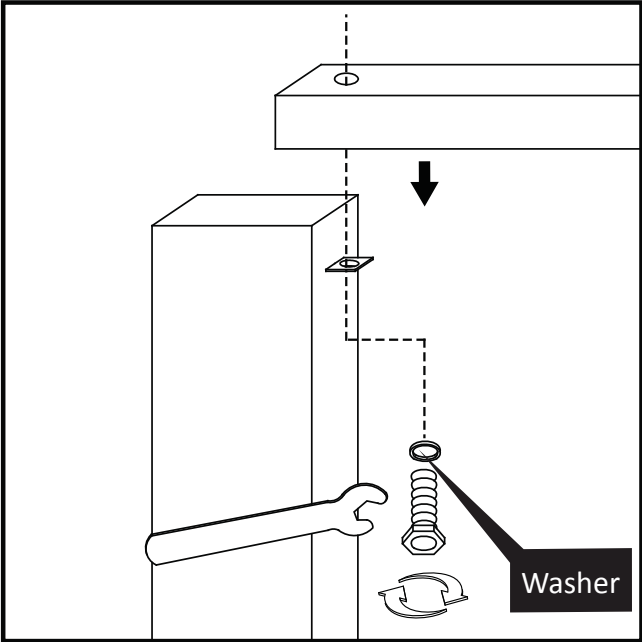
*****Important*****

For missing or defective parts, Do NOT return to the place of purchase. Call our toll free number below or visit www.pacificcurrents.com. Please have your sales receipt ready when you call.

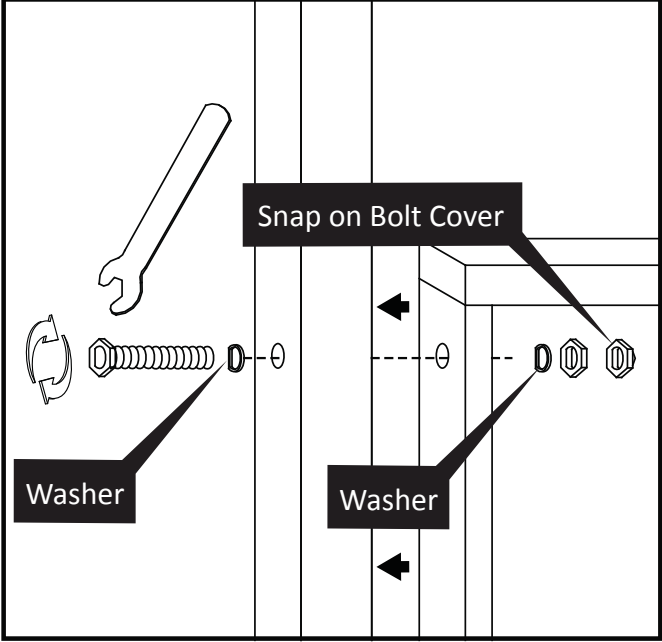
888-474-2770

How to use Hardware

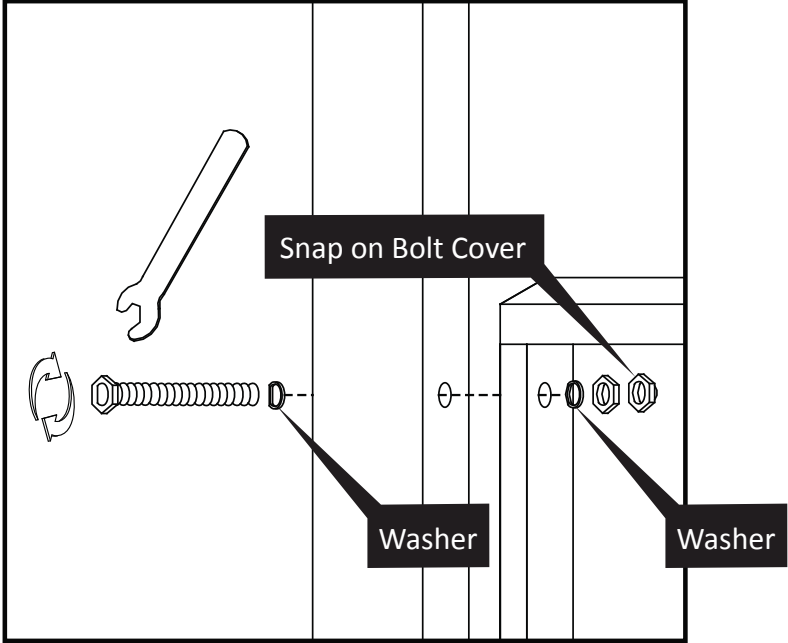
Bolt and Washer Assembly
(Part S) 



Bolt, Washer, and Nut Assembly
(Part U) 



Bolt and Washer Assembly
(Parts R, L, X) 



THIS PAGE INTENTIONALLY LEFT BLANK

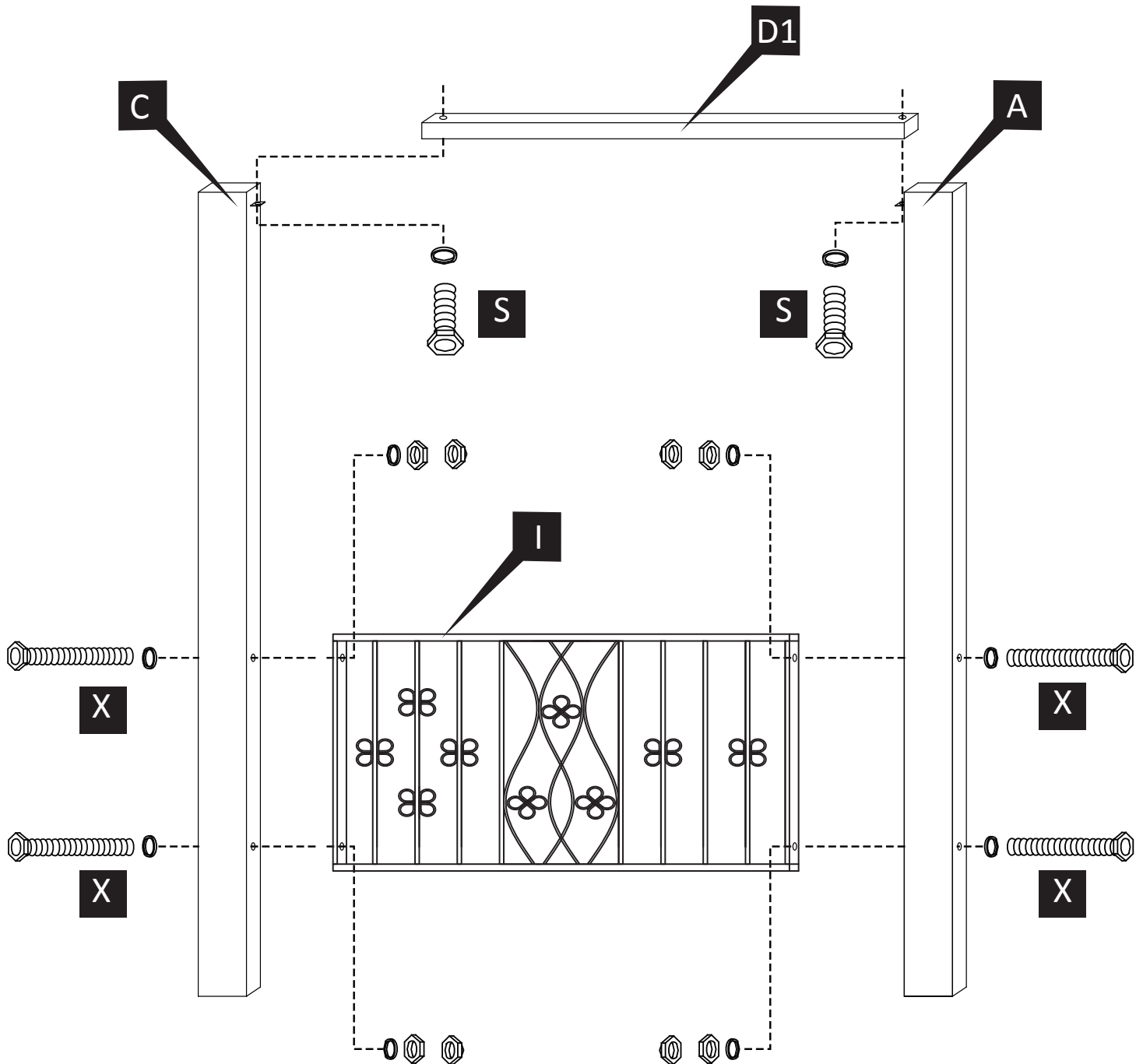
Assembly Instructions

Step 1

Panel Frame "A" [x 4]

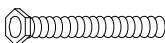
X     [x 16]

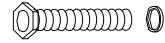
S   [x 8]



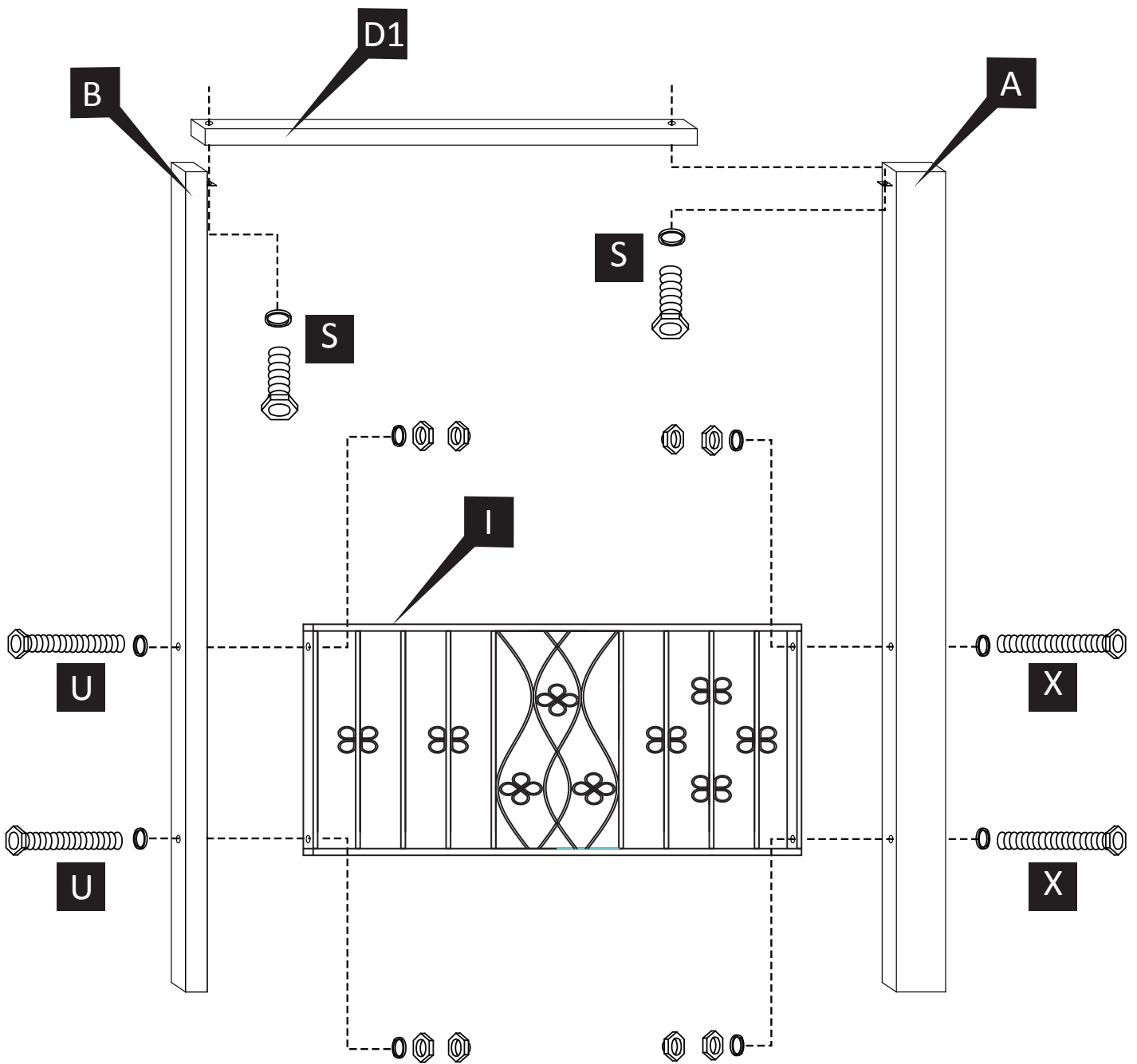
Step 2

Panel Frame "B" [x 4]

X  [x 8]


U  [x 8]

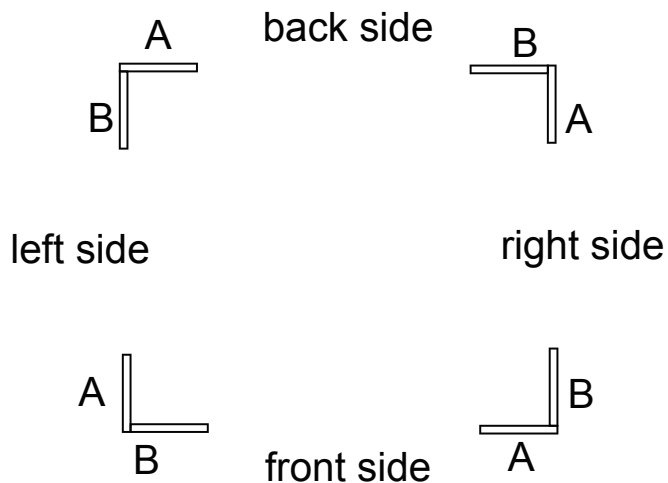
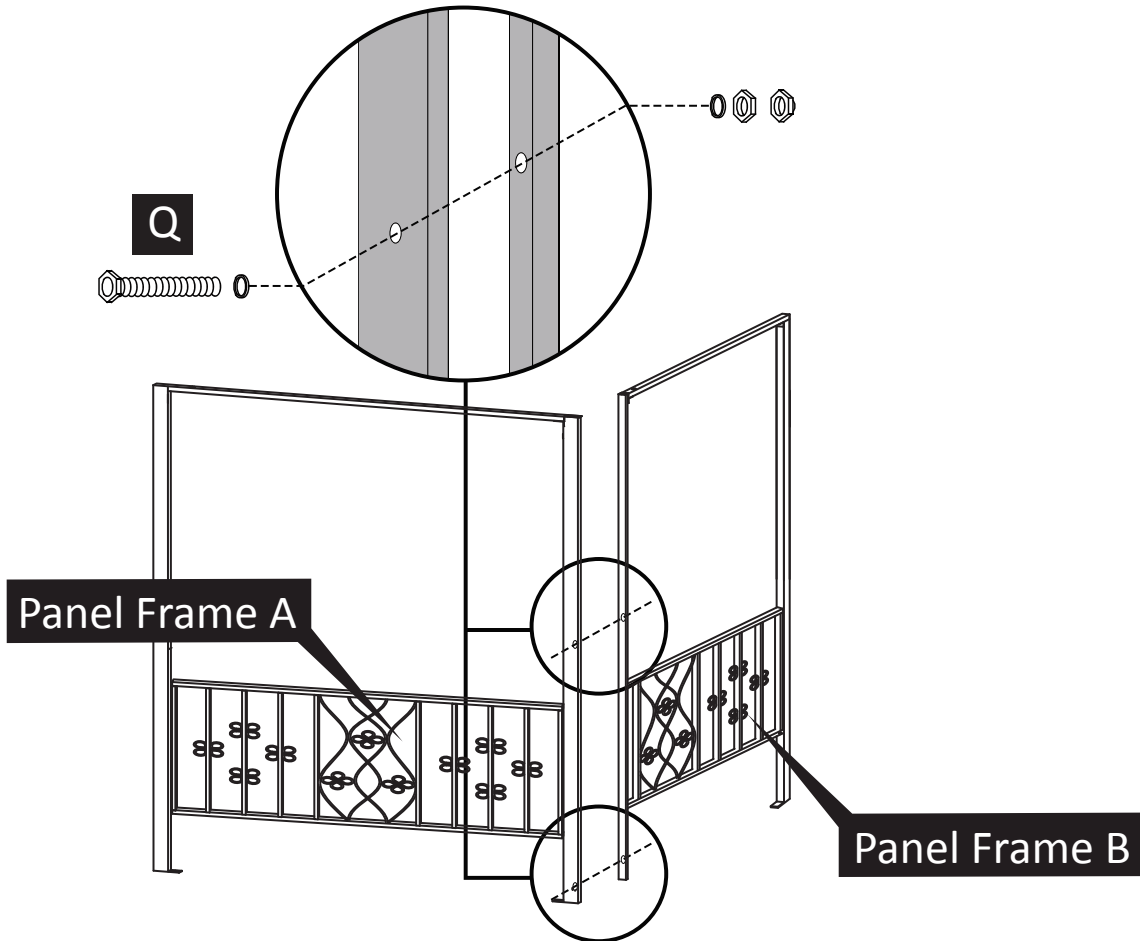
S  [x 8]



Step 3

Assemble Frame Panels to Form Gazebo Legs. [x 4]


Q  [x 8]

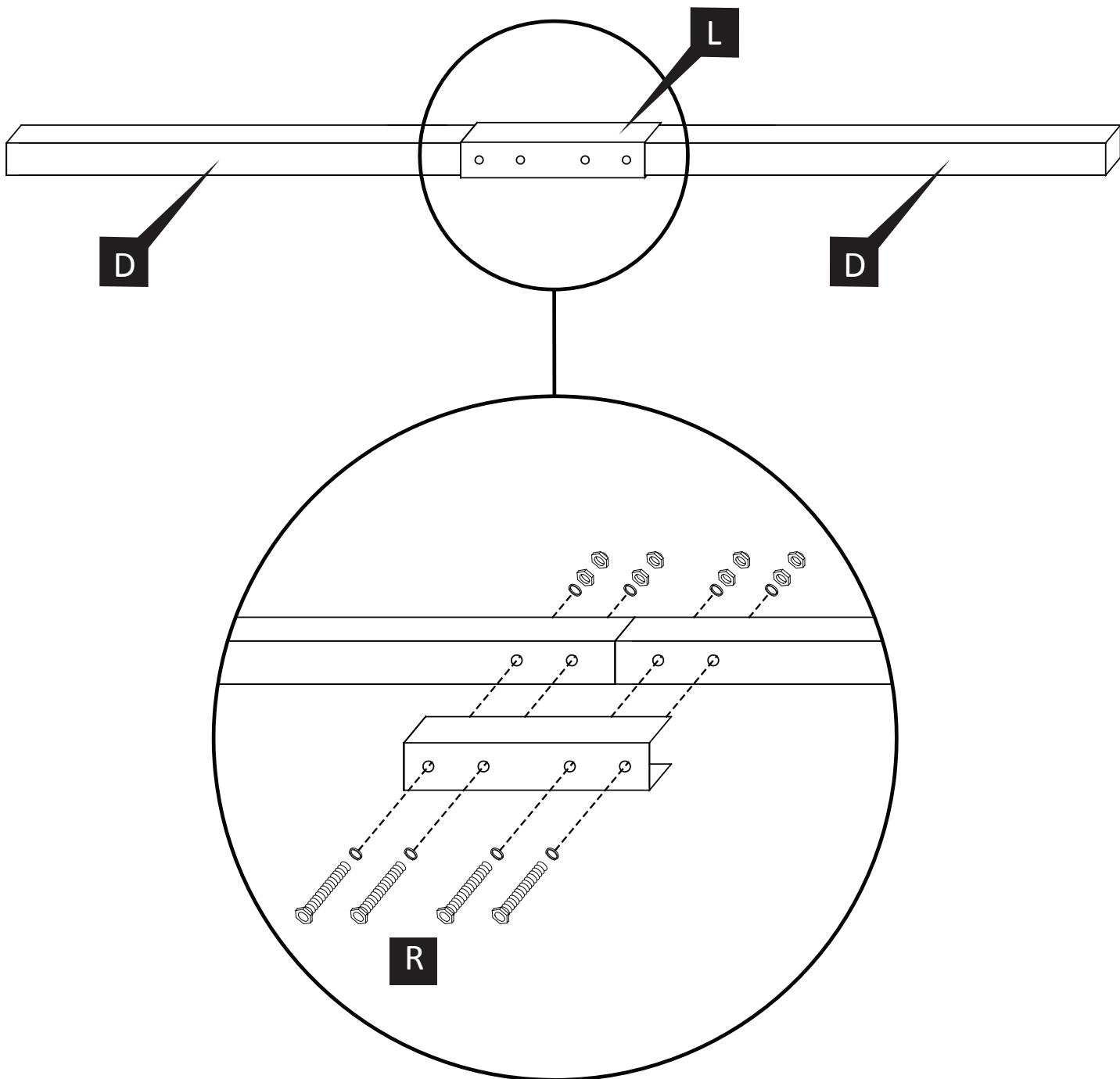


NOTE: When the gazebo legs are fully assembled, move them into position over your chosen final location as shown to the left.

Step 4

Assemble the Roof Frame Crossbars. [x 4]

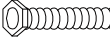



R  [x 16]



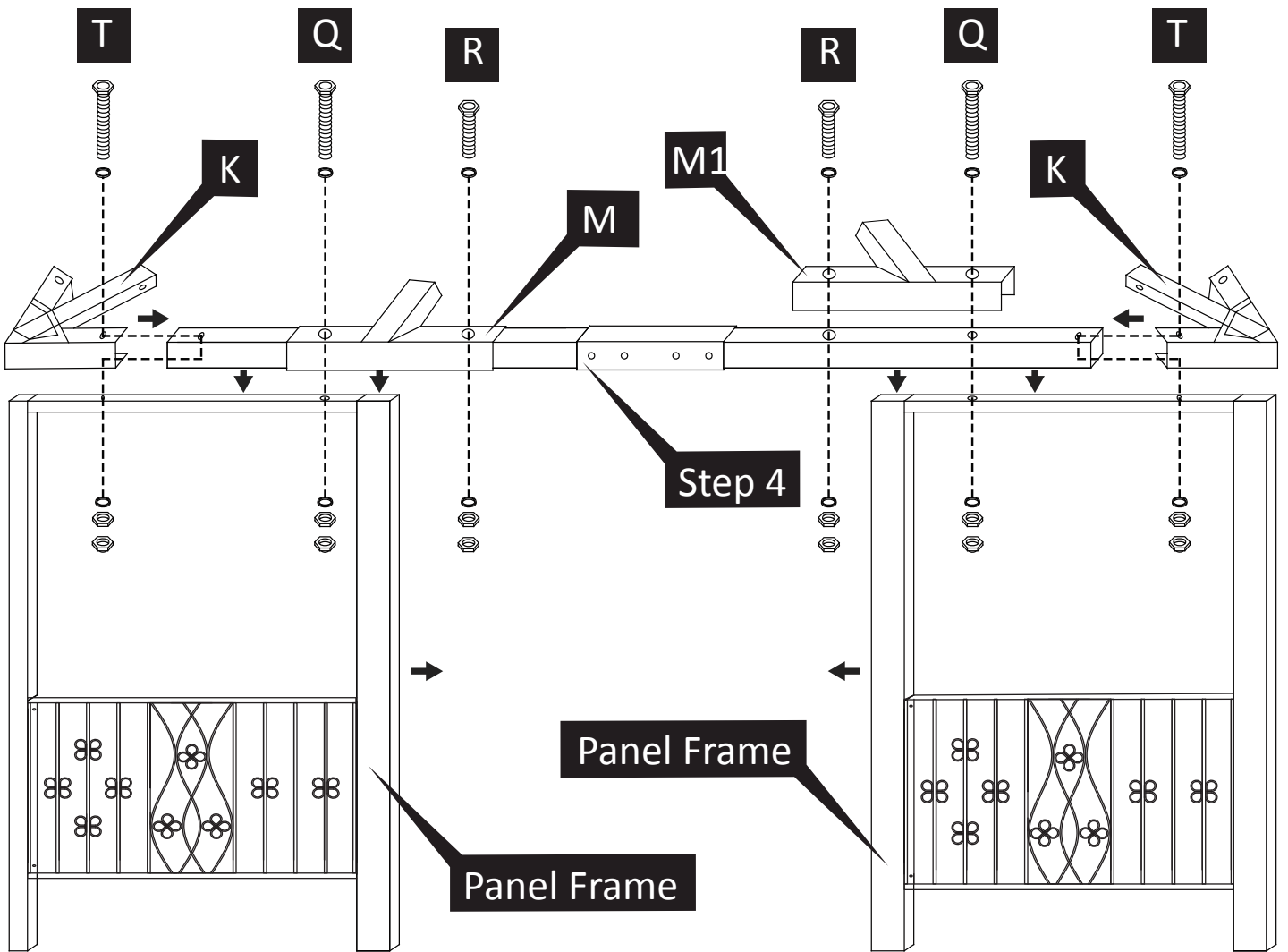
Step 5

Attach canopy top supporting members.

R      [x 8]

Q      [x 8]

T      [x 8]

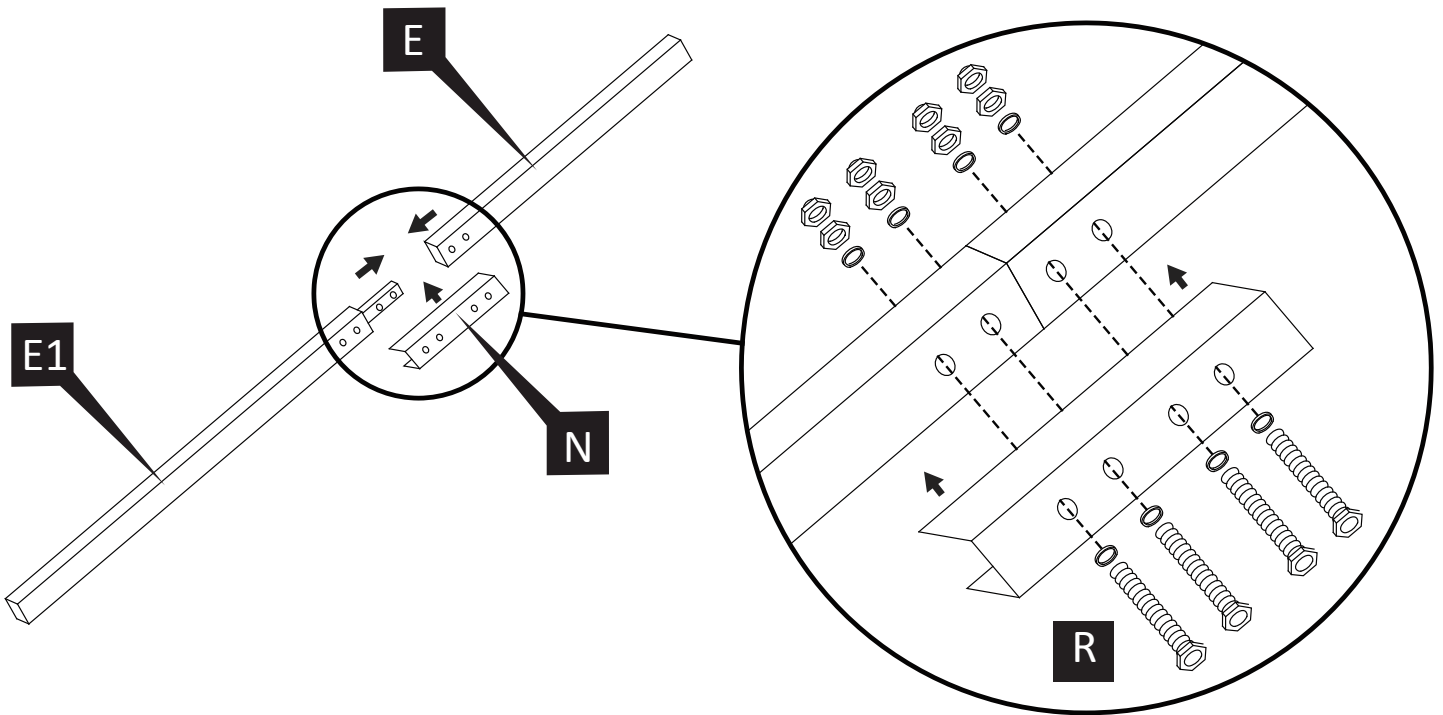


NOTE: Repeat for remaining three sides.

Step 6

Assemble the Roof Frame Corner Bars [x 4].

R  [x 16]

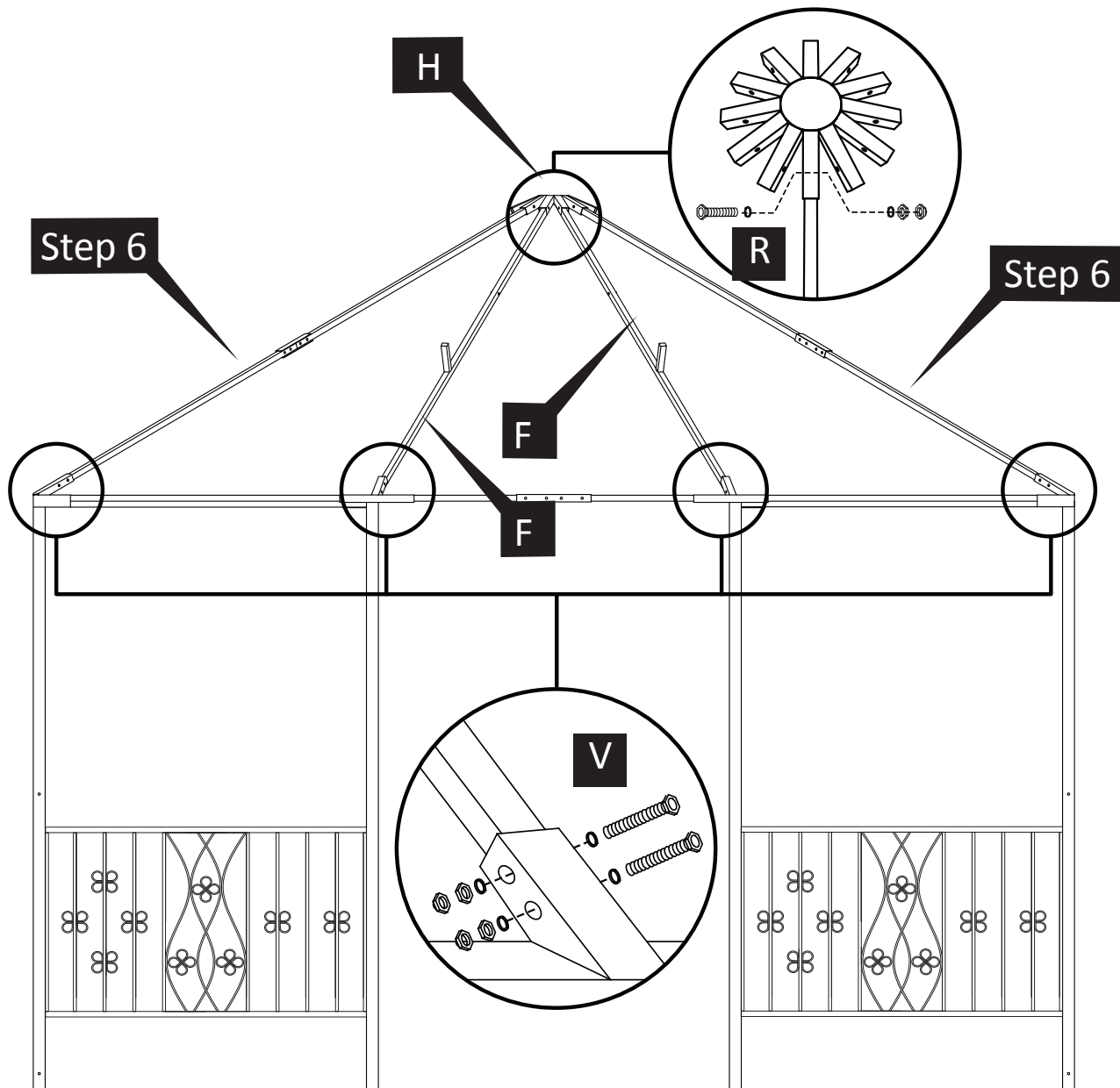


Step 7

Assemble the Roof Frame.

R  [x 12]

V  [x 24]



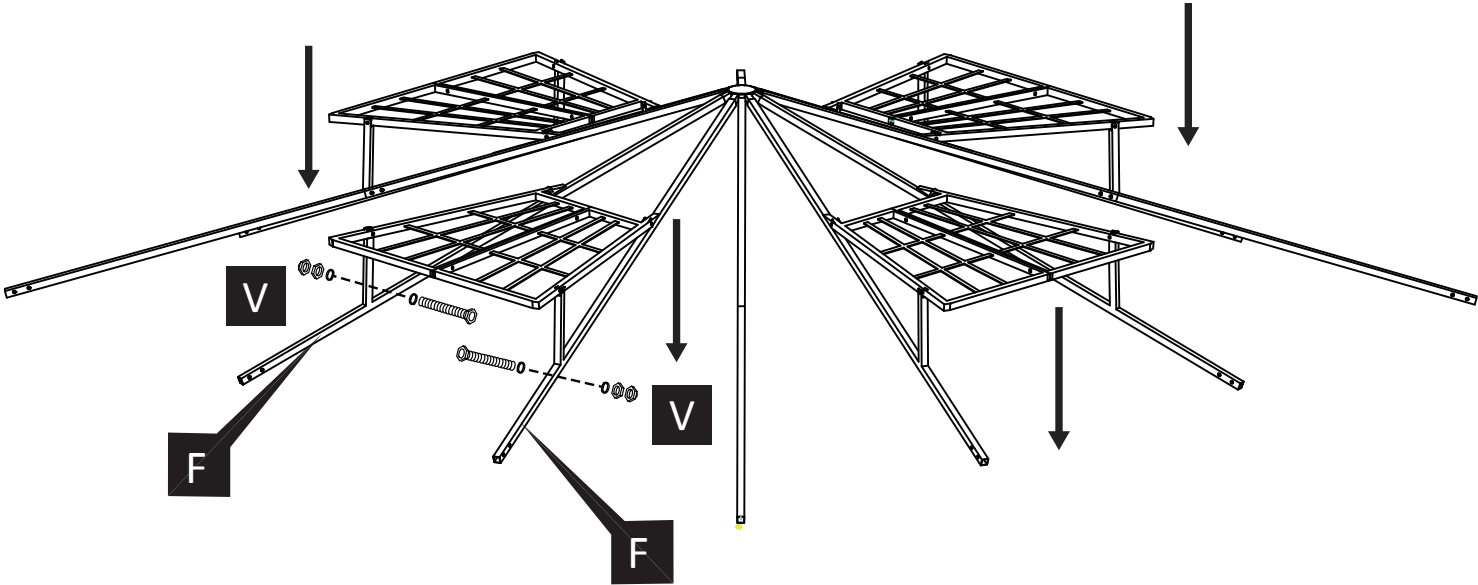
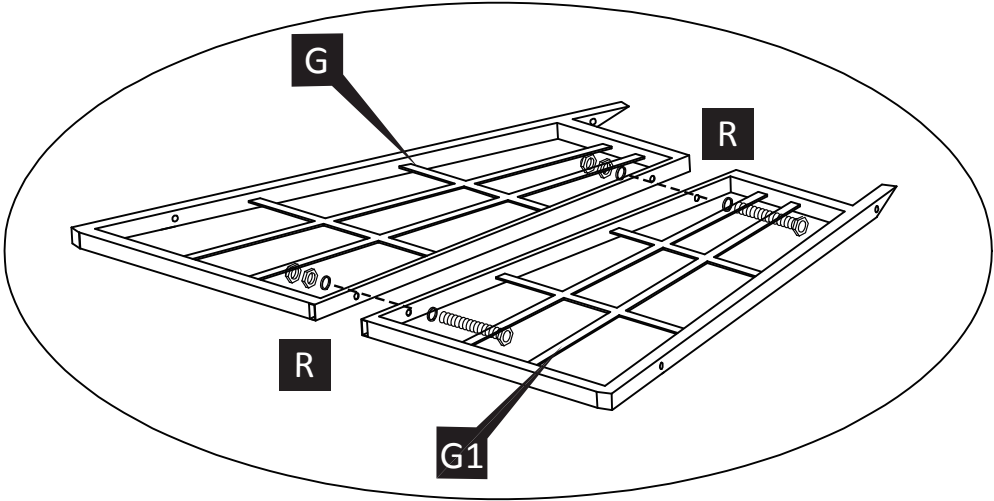
NOTE: Repeat for remaining roof frame members.

Step 8

Attach roof vent support bars.

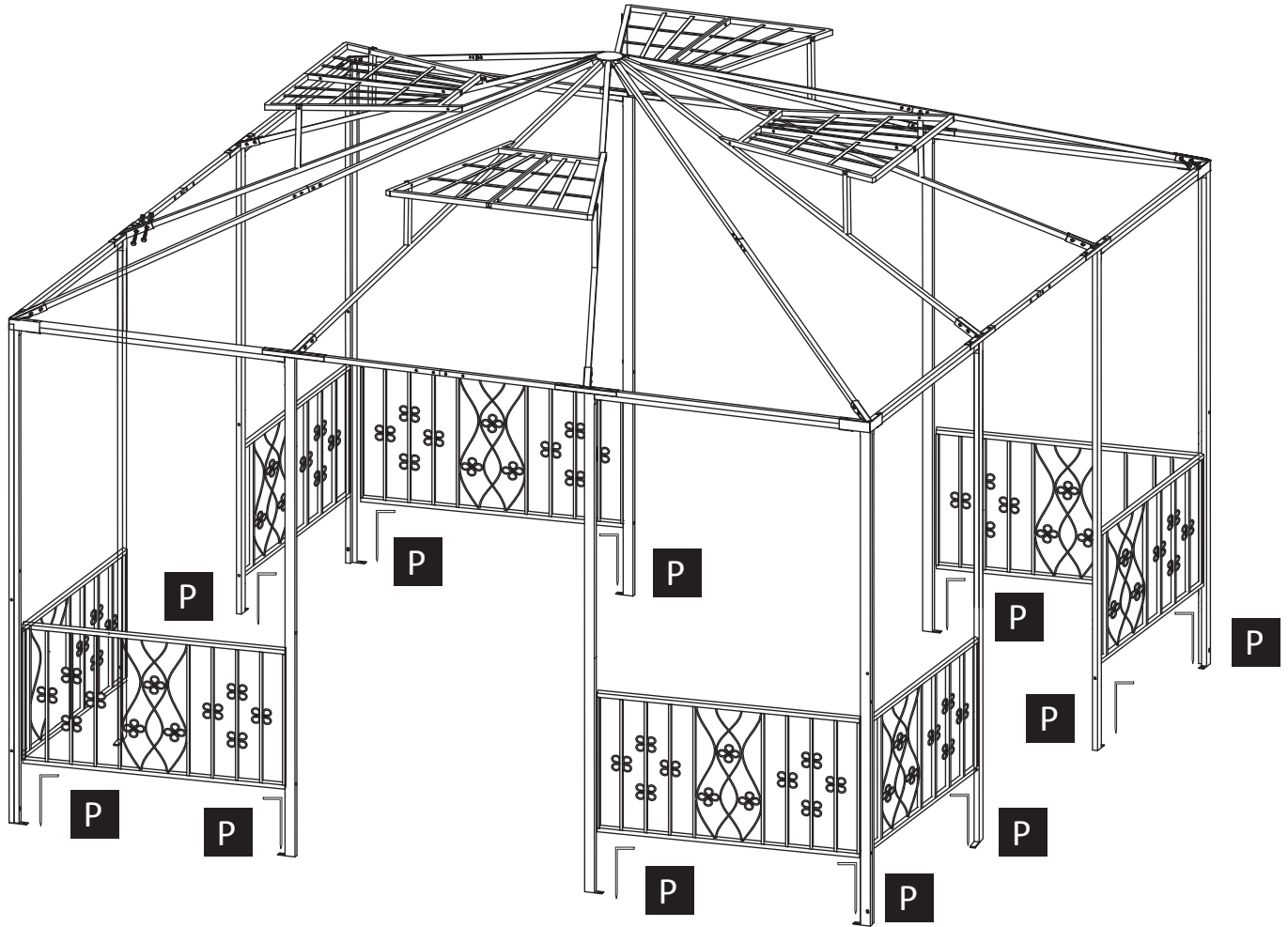
R  [x 8]

V  [x 16]



NOTE: Repeat for the remaining four roof vents.

NOTE: Your gazebo should now resemble the image above. Please check to make sure all parts are in their respective locations.



If the final location for your gazebo is a soft surface, you may secure it by driving the provided stakes through holes at the bottom of each frame column (A1, A2, A3).

NOTE: Lawn stakes for use only on natural surfaces (grass or dirt) and not meant to permanently secure gazebo to the ground in high winds.

Step 9

Attach canopy top to frame.

(Optional) Install bug screen and/or sun shade (Sold Separately).



NOTE: Carefully pull the canvas top over the gazebo roof frame and slide the vent bars into each respective vent opening in the canvas.

The ☒ will be very snug. You may need to reposition the gazebo legs slightly in order to pull the canvas top into position. Use the velcro straps to secure the canvas top to the gazebo frame.

FAQ (Frequently Asked Questions)

Q: Will the gazebo frame ever rust?

A: The powder coated finish of the metal frame prevents rusting so long as the metal itself is not exposed. Exposure of the metal may occur due to accidental scratches or long-term wear and tear. Occasional touch ups to affected areas with weatherproof paint will ensure many years of continued enjoyment from your gazebo.

Q: Can I use grills or barbecues inside the gazebo?

A: No, we do not recommend this. While the canopy top is fabricated using a fire resistant material, our gazebos are not designed to accommodate an open flame. Please refrain from using your grill inside the gazebo.

Q: Will the gazebo move or blow away in strong winds?

A: Several features of our design were considered to allow the gazebo to remain very stable across a range of weather conditions. The four vents in the canopy top help to allow low to medium winds to pass through the covering.

However, if you install the gazebo in an area where strong winds are persistent, it is advisable to take further steps to fasten the gazebo to the ground. If the gazebo is installed over a soft natural surface (grass or dirt), you may drive metal stakes (included) through the holes located at the bottom of the panels and into the ground. If the gazebo is installed over a hard surface (wooden decks or concrete patios) it will be necessary to separately purchase screws or bolts and nuts to affix the frame to your installation surface. Please visit your local Mills Fleet Farm Store for more options.

Q: I like being outdoors, but cannot stay for long because of mosquitoes. Are bug screens available for my gazebo?

A: Yes! Bug screens for all gazebo models are available separately for purchase as an accessory.

Care Instructions:

Canvas Top

The polyester top (Canvas Top) can be machine washed using a small amount of detergent. Do not machine dry or use bleach for the Top. Top may also be spray-rinsed while attached to Gazebo and lightly scrubbed with a soft broom. DO NOT use any hard abrasives to scrub.

The canvas top is not waterproof. However, a waterproofing spray (not included) may be used to prevent rain water infiltration.

The canvas top **MUST** be removed and stored in a dry location in the event of snow fall. Accumulated snow **WILL** severely damage your gazebo if the canvas top is not removed.

Gazebo Frame

Any rust on the frame as a result of scratches on the surface can be cleaned with soap and water and wiped down with a soft cloth. DO NOT use any hard abrasives to scrub. Touch-up paint is not available but the colors can be matched at your local Mills Fleet Farm store.

All metal parts may be sprayed with a clear laquer finish to maintain the attractiveness of your gazebo over time and allow you to enjoy your gazebo for as long as possible.

IMPORTANT: Winter storage - If you live in an area that experiences snow in the winter, remove the canvas top and store it in a location that is dry and free of moisture.

1 Year Limited Warranty:

Purchaser assumes all risk in the assembly and use of this unit.

All components carry a one year limited warranty from date of purchase against defects in material and workmanship arising under normal use. **This warranty does not cover wear and tear, nor weathering due to climate and other environmental factors, nor does it cover failure resulting from accident, misuse, neglect, mishandling, modification, or damage that is attributed to acts of nature.** This warranty does not cover incidental or consequential damages resulting from use of product, or losses arising out of any breach of this warranty. Fulfillment of this warrant shall only include direct replacement of or defective allowance with place of purchase of parts damaged inside original packaging while in transit to be arranged at the discretion of Pacific Currents Inc.

This warranty only extends to the original purchaser. **Proof of purchase (such as sales receipt) will be required before warranty performance is rendered.**

Please contact us should you have any questions concerning assembly, care information, warranty coverage, and missing or defective parts.

<p>Customer Service: 888-474-2770</p>	<p>Email: info@pacificcurrentsinc.com Website: www.pacificcurrentsinc.com Enjoy your new gazebo and thank you for choosing a Pacific Currents Inc. product!</p>
---	--