

# Bonsenkitchen

## Vacuum Sealer

### Operation Instructions

**Model: VS3802**



**Customer service: 1-888-965-8032**

**[customer-service@bonsenoa.com](mailto:customer-service@bonsenoa.com)**

## **Introduction**

Congratulations on the purchase of this modern and high-quality product. This instruction manual contains important information on safety, usage and disposal. Before using the product, familiarize yourself with all handling and safety guidelines. This appliance may only be used as described and for the purposes indicated. Please also pass these operating instructions on to any future owner(s).

## **Safety Instructions**

Always abide by the following safety rules and instructions when using electrical appliances and read these instructions carefully before using the vacuum sealer.

- Read all instructions
- Do not touch hot surfaces Use handles or knobs.
- To protect against electric shock do not immerse cord or main unit in water or other liquid.
- Close supervision is necessary when any appliance is used by or near children.
- Unplug from outlet when not in use and before cleaning.
- Do not operate any appliance with a damaged cord or plug or after the appliance malfunctions, or has been damaged in any manner. Contact customer service for examination, repair or adjustment.
- Do not use outdoors.
- Do not let cord hang over edge of table or counter, or touch hot surfaces.
- Do not place on or near a hot gas or electric burner, or in a heated oven.
- Do not open the appliance cover during operations.
- Always ensure the upper/bottom cover in correct location during operations.
- This product is only authorized for domestic use and not for commercial or industrial purposes. It is only intended for applications described in these instructions.
- This vacuum sealer may be used by children aged 8 years old and over if they are supervised by an adult and have been told how to use the appliance safely and are aware of potential risks.

- Cleaning and maintenance may not be carried out by children unless they are 8 years old or older and are supervised.
- Children must not play with the vacuum sealer.

**WARNING:** Do not immerse the vacuum sealer in water or other liquids when cleaning it. If the supplied power cord is damaged, it should be replaced by a qualified technician in order to avoid a hazard

## **SAVETHESE INSTRUCTIONS**

### **OPERATING INSTRUCTIONS**

- If the SUPPLY CORD is damaged, it must be replaced by the manufacturer, its service agent or similarly qualified person in order to avoid a hazard.
- A short power-supply cord is to be provided to reduce the risk resulting from becoming entangled in or tripping over a longer cord.
- Longer extension cords are available and may be used if care is exercised in their use.
- If a extension cord is used,
  - 1) The marked electrical rating of the extension cord should be at least as great as the electrical rating of the appliance;
  - 2) If the appliance is of the grounded type, the extension cord should be a grounding-type 3-wire cord; and
  - 3 ) The longer cord should be arranged so that it will not drape over the countertop or table top where it can be pulled on by children or tripped over unintentionally.

### **Placement**

- Always place the vacuum sealer away from the edge of the countertop
- Make sure the vacuum sealer is placed on a firm, flat surface.
- Do not use the vacuum sealer outdoors or near water

**WARNING:** Do not place the vacuum sealer onto a metal tray or metal surface when in use.

### **Personal Safety**

**WARNING:** To protect against fire, electric shock and personal injury, do not immerse the plug and vacuum sealer in water or any other liquid.

**WARNING:** Misuse of the vacuum sealer can cause personal injury.

- Disconnect the vacuum sealer from power before cleaning and not in use.
- Allow the vacuum sealer to cool down before putting on or taking off parts and before cleaning.
- Do not move the vacuum sealer while it is switched on.

## **Other Safety Considerations**

- Only use officially-provided attachments and accessories.
- Do not use the vacuum sealer for any use other than its intended purpose.
- Keep the vacuum sealer away from heat sources.
- When using the vacuum sealer, make sure the lid is properly in place and secure before operation.

**CAUTION:** To prevent damage to the vacuum sealer, do not use water or any liquid when cleaning.

## **Disposal of packaging materials**

The packaging protects the appliance from damage during carriage.

The packaging materials have been selected for their environmental friendliness and ease of disposal, and are therefore recyclable.

Returning the packaging to the materials cycle conserves raw materials and reduces the amount of waste that is generated. Dispose of packaging materials that are no longer needed in accordance with applicable local regulations.

### **NOTE**

► If possible, keep the original packaging during the warranty period so that the device can be properly packed for returning in the event of a warranty claim.

## **Scope Delivery**

The appliance is supplied with the following components as standard:

- 1x Vacuum Sealer
- 1x Roll Vacuum Bag
- 5x vacuum Bags (7.87\*11.81Inch)
- 5 x Zipper Bags(9.84\*11.02Inch)
- 2 x Vacuum Hose
- 1 x Wine Cork

► Check the package for completeness and for signs of visible damage.

- ▶ If the consignment is incomplete or damaged due to defective packaging or carriage, Please contact us.

## **Installation Requirements**

For safe and trouble-free operation of the device, the set-up location must fulfill the following requirements:

- When setting it up, place the appliance on a firm, flat and horizontal surface.
- Do not place the device in a hot, wet or extremely damp environment or in the vicinity of flammable materials.
- The mains power socket must be easily accessible, so that the power cable can be easily disconnected in the event of an emergency.

## **Electrical Connection**

- ▶ Before you connect the appliance, compare the connection data (voltage and frequency) on the data plate with that of your mains power network. These data must agree so that no damage issue stained by the device.
- ▶ Ensure that the power cable is undamaged and is not routed over hot surfaces and/or sharp edges.
- ▶ Ensure that the power cable is not taut or kinked.
- ▶ Do not let the power cable hang over edges (trip wire effect).
- ▶ Insert the plug into the mains power socket.

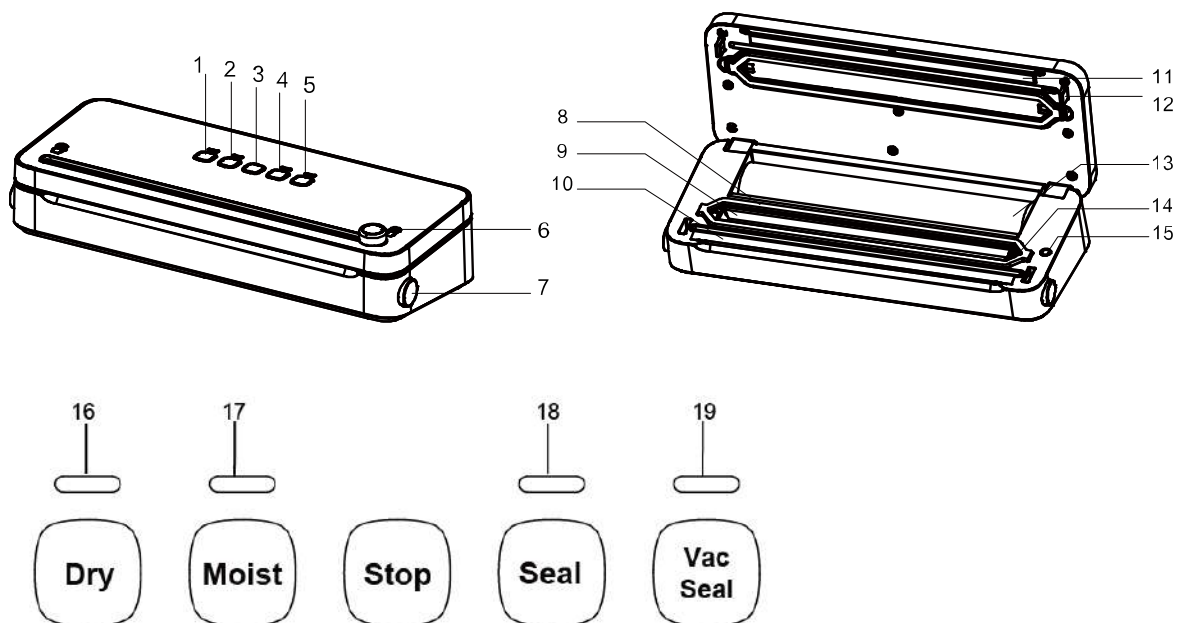
## **Sealing Vacuum bags**

- ▶ The bag width may not exceed 11.81Inch. Otherwise it cannot be welded correctly.
- ▶ Use only nylon-PE films with a structure (points or grooves) on one side and that have a structure(points or grooves) on one side and a thickness of approximately 0.006 -0.012 inch(6.8- 11.6mil).Otherwise the weld seam will not be tight and the appliance may be damaged. You can recognize bags of this type from the information on the packaging. The quality of the weld seam will vary depending on the type and thickness of the bag.
- ▶ Cut the desired length for your bag from the roll. Open the appliance lid by pressing the lid release and open the lid up wards .Lay the open end of the bag as far into the appliance so that the opening of the bag is located central under the lower sealing ring. The bag should be inserted no further than the behind sealing ring and must lie between the front sealing ring. If the bag lies over one or both of the two sealing ring, then the bag cannot be correctly welded.
- ▶ The bag opening must lie flat on the welding wire. Otherwise the welding does not

work properly. Close the appliance lid. The press seal presses the bag onto the welding wire, to create a smooth seam. Ensure that both corners of the appliance lid closed. If necessary, press the upper cover again and so that the appliance lid clicks into place and locks tightly. Press the Food button Mode Selection. If the choice is dry, the dry indicator will light on. If the moist is chosen, the moist indicator will light on.

- ▶ Ensure that the weld seam is properly closed. A correct weld seam should be a smooth, straight stripe without any creases.
- ▶ Fill the bag so that no food scraps or liquids can leak out during welding and get into the appliance.
- ▶ Wait 15 seconds before sealing the next bag to allow the appliance to cool down.

## Parts



### 1. Buttons:

- |             |  |         |         |
|-------------|--|---------|---------|
| 1) Dry      | 2) Moist                                     | 3) Stop | 4) Seal |
| 5) Vac Seal | 15) External interface switch/Suction switch |         |         |

### 2. Indicate Light:

- |                    |                        |
|--------------------|------------------------|
| 16) Dry Indicator  | 17) Moist Indicator    |
| 18) Seal Indicator | 19) Vac Seal Indicator |

### 3. Other Parts:

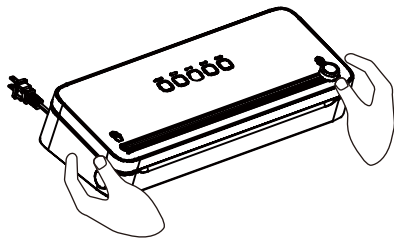
- |                 |                  |  |
|-----------------|------------------|--|
| 6) Slide Cutter | 7) Open Button   | 8) Vac Cotton                            |
| 9) Vac Chamber  | 10) Heating Seal | 11) Sealing Rubber Strip                 |
| 12) Snap Lock   | 13) Roll holder  | 14) External Interface/Suction Interface |

# Functions & Vacuuming



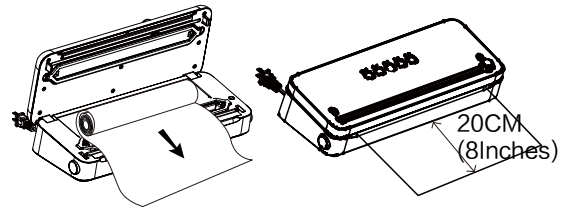
## Operating the equipment

### 1. How to Make a Bag from a Bonsenkitchen Vacuum Seal Roll :



( Pic.1 )

Plug in the vacuum sealer, “Dry” indicator light will turn on. Open the lid by pressing buttons on both sides. (Pic.1)



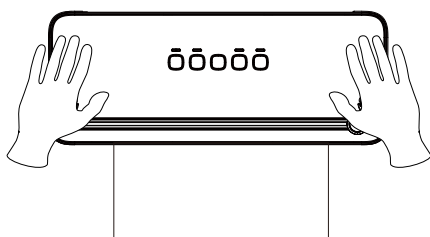
( Pic.2 )

( Pic.3 )

Pull bag material over the sealing strip(Pic.2). Suggest to leave 20cm (8 inches) or more of space to vacuum seal. (Pic.3)

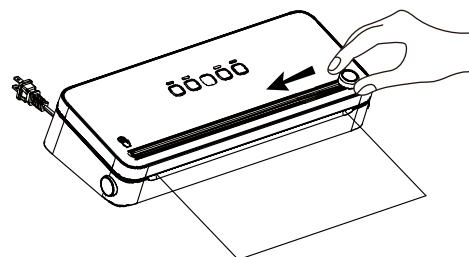
① ②

③ ④



( Pic.4 )

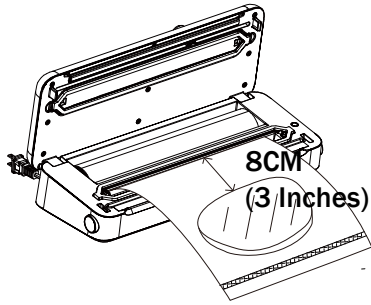
Push down both sides of the lid until hear a big lock-up sound. (Pic.4)



( Pic.5 )

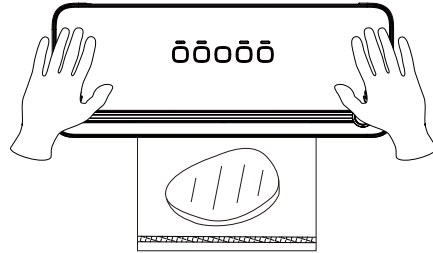
Press “Seal” button, sealing is complete when “Seal” indicator light turns off. Make sure the cutter is on the edge then slide bag cutter across the roll. (Pic.5)

## 2. How to use “Dry”vacuum mode :



( Pic.1)

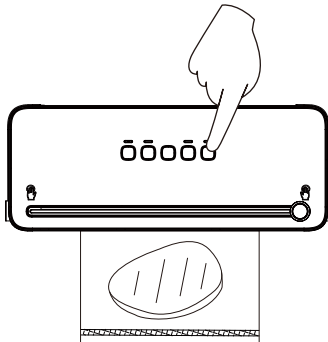
After making a bag (as described in the “How to Make a Bag from a Bonsenkitchen Vacuum Seal Roll” section, on page 7), Place item(s) in bag, allowing at least 8cm(3 inches) of space between bag contents and the open end of bag. More space is required for larger item(s) (Pic.1)



( Pic.2)

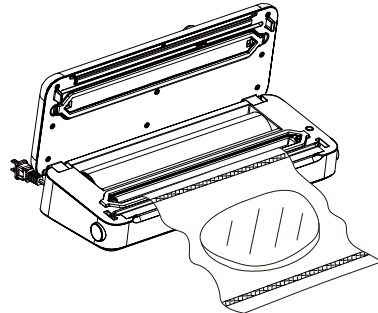
Push down both sides of the lid until hear a big lock-up sound. (Pic.2) Please check whether the dry light is on. If not, press the dry button.

① ②  
③ ④



( Pic.3)

Press “Vac/Seal” button, it will automatically vacuum then seal. (Pic.3)

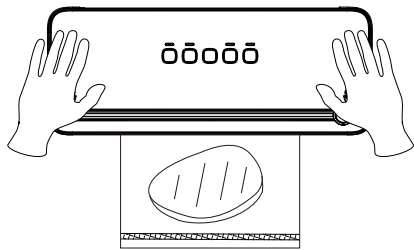


( Pic.4)

Open the lids by pressing the buttons on both sides after “Vac” and “Seal” indicator lights turn off. Take out the bag. (Pic.4)

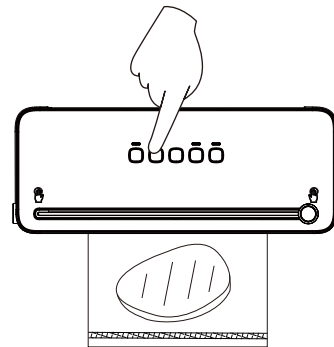


### 3. How to use “Moist” vacuum mode :



( Pic.1 )

Push down both sides of the lid until hear a big lock-up sound. (Pic.1)



( Pic.2 )

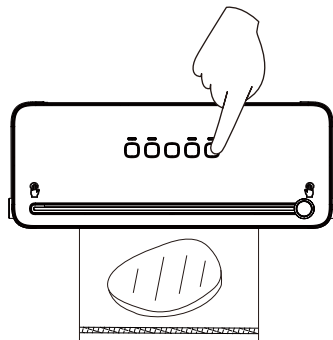
Press” Moist” button, indicator light turns on.(Pic.2)

①

②

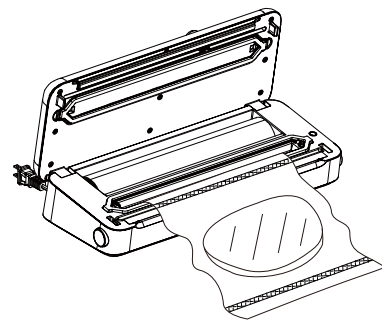
③

④



( Pic.3 )

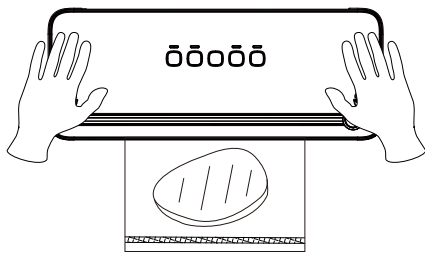
Press “Vac/Seal” button, it will automatically vacuum the seal.(Pic.3)



( Pic.4 )

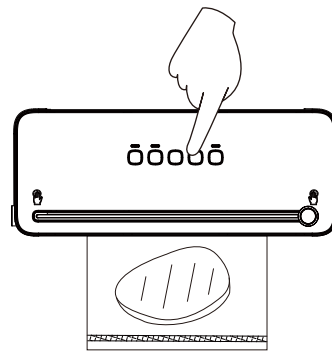
Open the lids by pressing the buttons on both sides after “Vac” and “Seal” indicator lights turn off. Take out the bag. (Pic.4)

#### 4. How to seal only:



( Pic.1 )

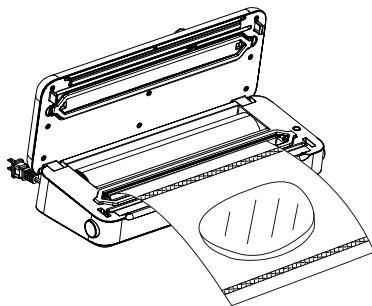
Push down both sides of the lid until hear a big lock-up sound. (Pic.1)



( Pic.2 )

If you want to seal a bag without vacuuming, press “Seal” button, indicator light turns on.(Pic.2)

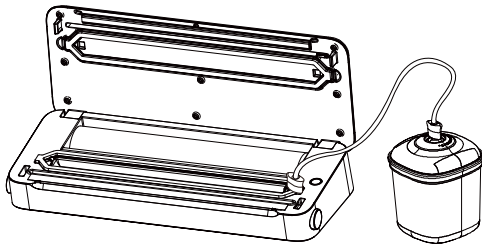
① ②  
③



( Pic.3 )

Open the lids by pressing the buttons on both sides after indicator light turns off, then take out the bag.

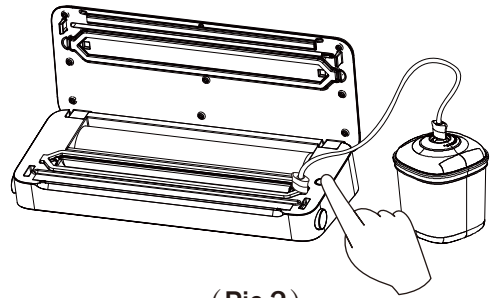
## 5. How to vacuum packaging jar :



( Pic.1 )

Insert one end of Accessory Hose into Accessory Port on appliance. Insert the other end into port on the jar. (Pic.1 universal interface)

①

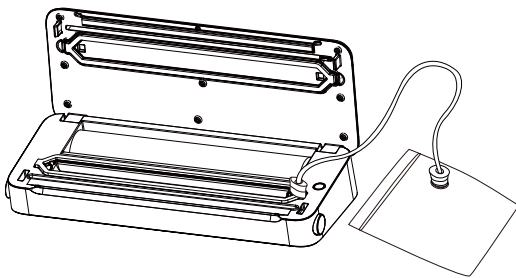


( Pic.2 )

Press the gray rubber button on the appliance, it starts to vacuum. When it has no sound, it means job has been finished. You also can stop it whenever you want, just press the button again. (Pic.2)

②

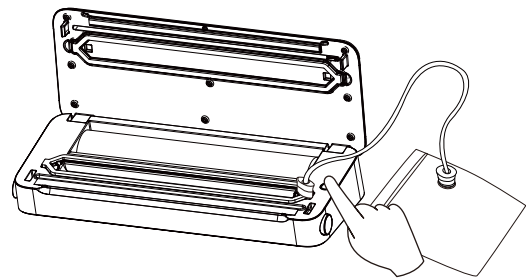
## 6. How to vacuum zipper bags :



( Pic.1 )

Insert one end of Accessory Hose into Accessory Port on appliance. Insert the other end into port on the zipper bag. (Pic.1 universal interface)

①



( Pic.2 )

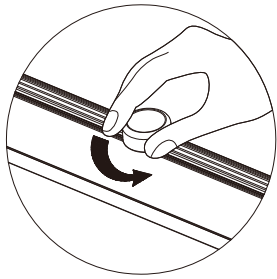
Press the gray rubber button on the appliance, it starts to vacuum. When it has no sound, it means job has been finished. You also can stop it whenever you want, just press the button again. (Pic.2)

②

If you want to vacuum wine core, you can use the same vacuum hose, same operation.

## 7. How to install bag cutters :

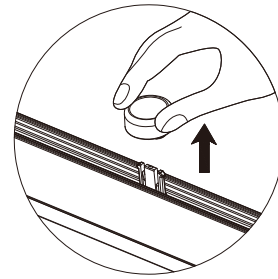
### 1) .Disassemble



( Pic.1)

Twist the cutter anticlockwise approximately 100° ( Pic.1 )

①

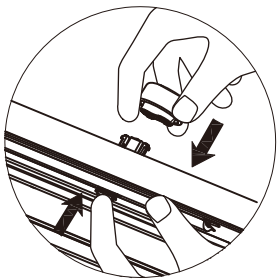


( Pic.2)

Lift up the cap of cutter (Pic.2)

②

### 2) .Assemble



( Pic.1)

Assemble the knife and the cap.(Pic.1)

①



( Pic.2)

Twist the cap of cutter clockwise approximately 100° (Pic.2)

②

**NOTE:** Once you have sealed 5 bags continuously, allow the appliance to cool down for about 1 minute. During this cool-down phase, you cannot start the appliance. After the cool-down phase, you can use the appliance as normal.

## Cleaning

- ▶ Remove the plug from the mains power socket before beginning to clean the device.
- ▶ Ensure there isn't moisture can penetrate the device during leaning.
- ▶ Do not use aggressive or abrasive cleaning agents, as these may corrode the surface of the casing.
- ▶ Do not use any hard or sharp objects to remove any adhesive from the welding wire. Otherwise the welding wire or the insulation could be damaged.
- ▶ Clean the surface of the appliance with a lightly moistened cloth and a mild detergent.
- ▶ Wipe off the upper and the lower sealing rings, as well as the press seal with a damp cloth. Ensure that the appliance is dry before using it again.

## Storage

- ▶ The appliance has a built-in cable retainer on the underside of the housing, on which you can wrap the power cable when it is not in use. This prevents the power cable from getting caught or soiled, or becoming a source of danger by hanging loosely down.
- ▶ Store the appliance in a clean, dry place away from direct sunlight.

## Warranty claim procedure

To ensure quick processing of your case, please observe the following instructions: Please have the till receipt and the item number(S/N: 12345) available as proof of purchase.

You will find the item number as a sticker on the rear or bottom of the appliance.

If function or other defects occur, please contact the service centre listed either by telephone or by email.

If you have any further assistance, please contact us:

Customer service: **1-888-965-8032**

[customer-service@bonsenoa.com](mailto:customer-service@bonsenoa.com)

## **Warranty:**

The warranty for this appliance is for **12 months** from the date of the first purchase. The warranty covers only claims for the material and manufacturing defects, but not for the transport damage, wearing parts or for damage to fragile components, e.g. button or seal ring.

The warranty is void in the case of the abusive and improper handling, use of force and internal tampering not carried out by our authorized service branch. Your statutory rights are not restricted in any way by this warranty. The warranty period is not extended by repairs made under the warranty. This applies also to replaced and repaired parts. The appliance has been manufactured with care and meticulously examined before delivery.

Please keep your receipt as proof of purchase.

Please contact with our Customer Service in case of a warranty claim.

## **Technical Data**

**Model No.: VS3802**

**Operating Voltage: 120V~ 60Hz 1.9 A**

**Power Consumption: 140W**

**Max. Width for Shrink-wrapping: 300mm (11.81Inch)**

**Vacuum Value: <-70Kpa**

**Noise Level: about 72 dB**

**Product Dimension: 407\*166\*92mm (16.02\*6.54\*3.62Inch)**