

**EXPANDED METAL VANDAL RESISTANT  
BACKFLOW COVER**

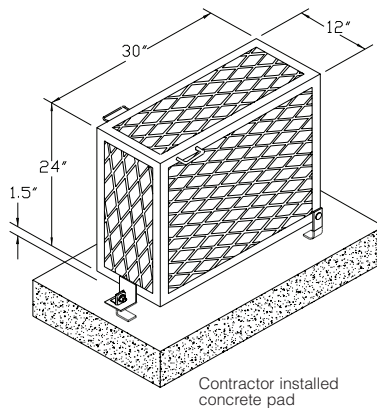
- 1½” number 9, flattened expanded metal allows full viewing of backflow preventer
- Cold rolled, formed steel frame provides strength and stability
- Lock tab provides for use of padlock
- Easy lift handles and hinges access provides for service and testing
- Coated with a performance polymer alloy coating to prevent handling injury.
- Open diamond-patterned panels minimizes surface area for graffiti
- One year limited warranty
- Standard colors for powder coated enclosures are dark green and tan. All other colors are available at an extra charge

**Low Profile Expanded Metal  
Cover**

	“A” Length	Height	Width
BC-30CR	30”	25.5”	12”
BC-45CR	45”	31.5”	18”

Note: For inside dimensions, see Backflow Cover Sizing Chart on pages 14-15.

- Plasticote powder coat finish
- Accepts padlock
- Hinged for easy access
- Minimized surface area for graffiti



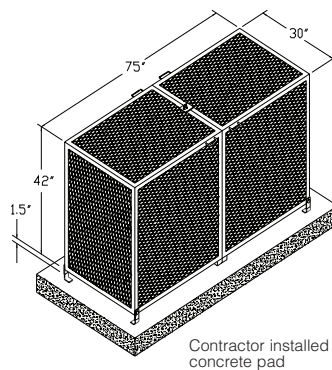
**SPECIFICATION ON PAGE 56**

**High Profile Expanded Metal  
Cover**

	“A” Length	Height	Width
BC-75CR	75”	43.5”	30”

Note: For inside dimensions, see Backflow Cover Sizing Chart on pages 14-15.

- Plasticote powder coat finish
- Accepts padlock
- Hinged for easy access
- Minimized surface area for graffiti



**SPECIFICATION ON PAGE 57**