

CLK8A-SC1: RF Single Color LED Controller

This item is a single color / 1 zone / RF PWM LED controller. Low cost and easy to operate, it is designed for constant voltage applications and is fully compatible with all iLuXx luminaires equipped with the **Lineo Drive** technology. The system consist of a controller and a receiver. It is sold as a kit.

Remote Controller and receiver



Features

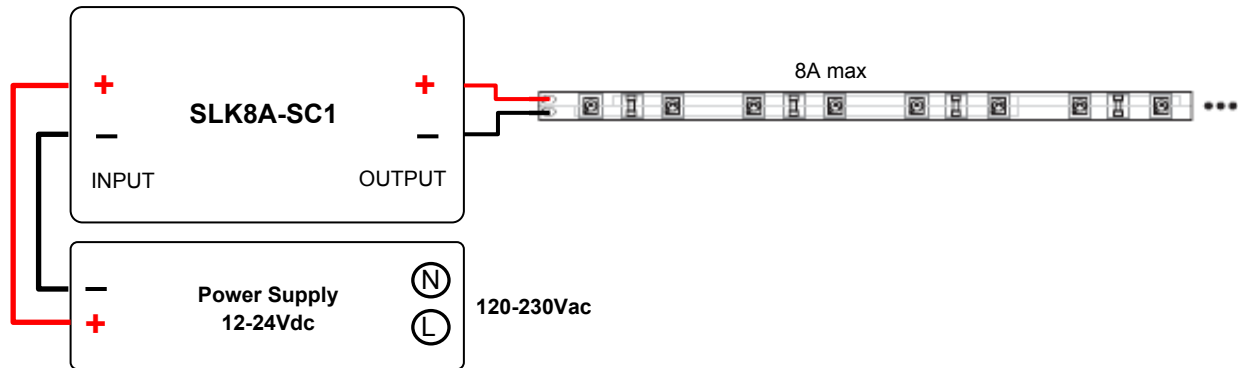
- ✓ Reliable On/Off
- ✓ Step dimming from 0,1 to 100% range using PWM technology
- ✓ Wireless controller (battery operated)
- ✓ 1 zone

This item uses Radio Frequencies (RF) for communication between the controller and receiver. The advantages over Infra Red (IR) devices are the wider range of operation and the fact that the signal can be transmitted through walls, doors and furniture allowing a greater flexibility of installation.

Technical Characteristics

CLK8A-SC1	
Description	Single color - RF PWM - 1 zone with Remote Control
Input Voltage	12 - 24Vdc
Max Load Current	8A (1ch x 8A)
Max Output Power	96W @ 12V / 192W @ 24V
Signal Range	20m (65ft)
Color	Black
Operating Temperature	-20°C to 50°C
Dimensions	Receiver: L83 x W57 x H35 / Remote Control: L57 x W29 x H10
Warranty	1 year

Wiring Diagram



Controller Functions



Increases brightness

Decreases brightness

On/Off (retains the last brightness level when turned off)

Safety

- DO NOT install with power applied to the receiver
- DO NOT expose the controller and receiver to direct or indirect moisture

Set-Up Instructions

Controller



The remote controller can be set anywhere with the 3M Dual Lock system while remaining "remote" if desired.

Remove the screws on the back of the controller to access the battery (battery is included)

Receiver

- 1- Make sure power to the receiver is disconnected
- 2- Insert the wires according to the wiring diagram
- 3- Make sure the polarity is correct to prevent damage to the LEDs
- 4- Turn power on and check if LED light is working. If no illumination, check all connections.