

2805 Series: RF Single Color LED Controller

2015-04-13

The **2805 Series** is a range of single color / 1 zone / RF PWM LED controller. Stylish and easy to operate, they are designed for constant voltage applications and are fully compatible with iLuXx luminaires equipped with the **Lineo Drive** technology. The system consists of a controller and receiver and both must be paired to allow communication between them.

2805 Controllers



CLC2805US - Wall mount



CLC2805D - Portable, desk

Compatible Receivers



CLR2501N - 4 Channels x 5A



CLR2501NS - 1 Channel x 8A

Features

- ✓ Reliable On/Off with soft transitions
- ✓ Stable dimming from 0,1 to 100% range using PWM technology
- ✓ Wireless controller (battery operated)
- ✓ 1 zone

Note: 1 controller can control any number of receivers and 1 receiver can be controlled by a maximum of 8 controllers

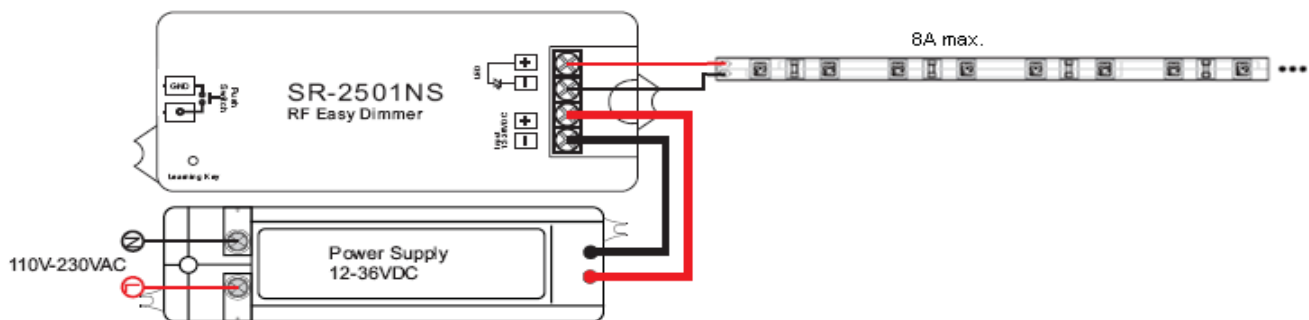
The **2805 Series** uses Radio Frequencies (RF) for communication between the controller and receiver. The advantages over Infra Red (IR) devices are the wider range of operation and the fact that the signal can be transmitted through walls, doors and furniture allowing a greater flexibility of installation.

Technical Characteristics

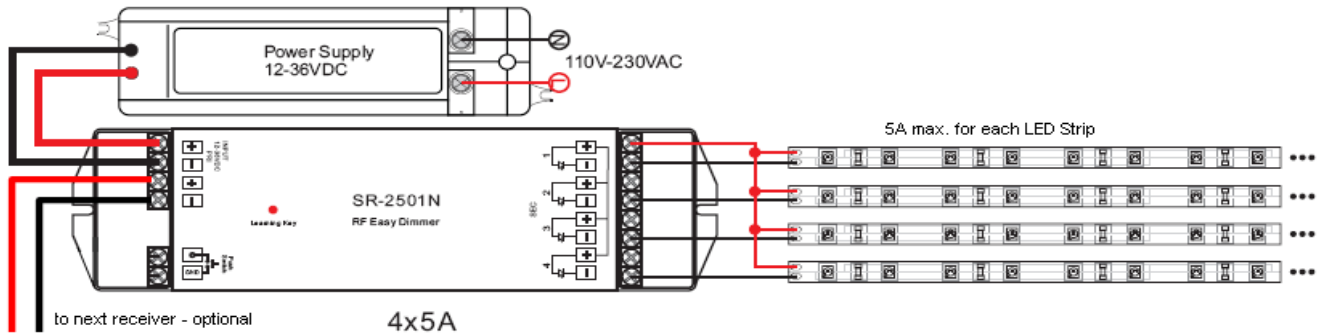
Controllers		CLC2805US	CLC2805D
Description	Single color - RF - PWM - Wall mount	Single color - RF - PWM - Portable, desk	
Input Voltage	3V (CR2032 battery included)	3V (CR2025 battery included)	
Signal Range	20m (65ft)	20m (65ft)	
Operating Frequency	434MHz / 868MHz	434MHz / 868MHz	
Color	White	Black	
Operating Temperature	-20°C to 55°C	-20°C to 55°C	
Dimensions	L120 x W75 x H41mm	L96 x W65 x H80mm	
Warranty	3 years	3 years	
Receivers		CLR2501N	CLR2501NS
Description	4 Channels PWM Receiver	1 Channel PWM Receiver	
Input Voltage	12 to 30 Vdc	12 to 30 Vdc	
Max Load Current	20A (4ch x 5A)	8A (1ch x 8A)	
Max Output Power	240W @ 12V / 480W @ 24V	96W @ 12V / 192W @ 24V	
Operating Temperature	-20°C to 55°C	-20°C to 55°C	
Dimensions	L178 x W46 x H18mm	L82 x W33 x H20mm	
Warranty	3 years	3 years	

Wiring Diagrams

CLC2501NS



CLC2501N



Pairing of Receiver and Controller

- 1- Connect the power supply and LED lights to the receiver according to the wiring diagram.
- 2- Do a short press of the learning key button located on the receiver then quickly push the dial button on the controller. The LED lights connected to the receiver should blink once indicating that the pairing has been successful. (make sure the controller has a battery)

Note: Multiple receivers can be paired to one remote control and vice versa.

To unpair

- 1- Do a long press of the learning key until you see the LED lights blink twice

Controller Functions

Dial Button Actions:	Single push	Turns light On or Off
	Left / Right movement	Controls the light output level
	Note	Retains the last settings when turned off

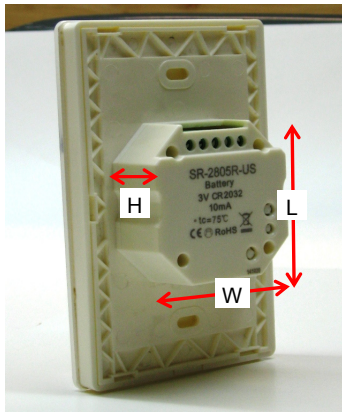
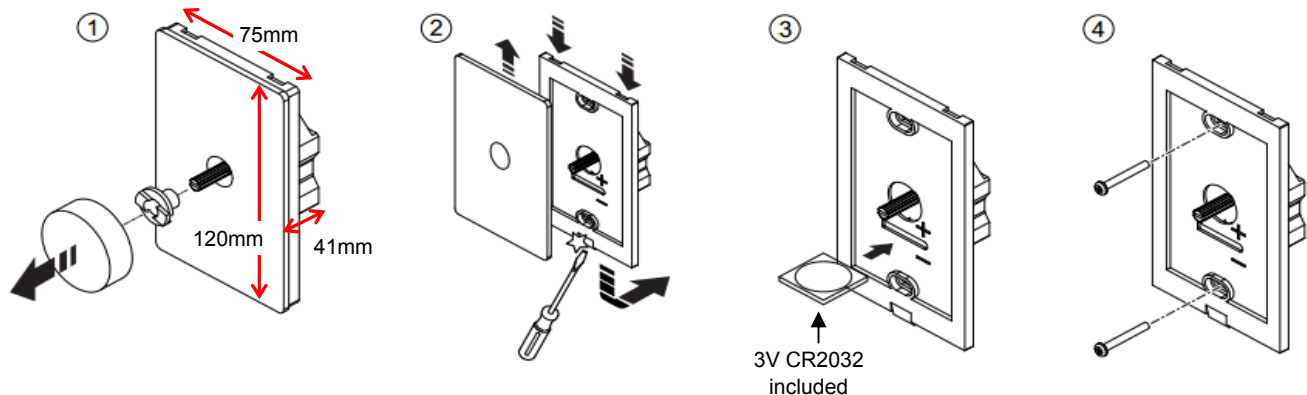
Safety

- **DO NOT** install with power applied to the receiver
- **DO NOT** expose the controller and receiver to direct or indirect moisture

Set-Up Instructions

Controller CLC2805US

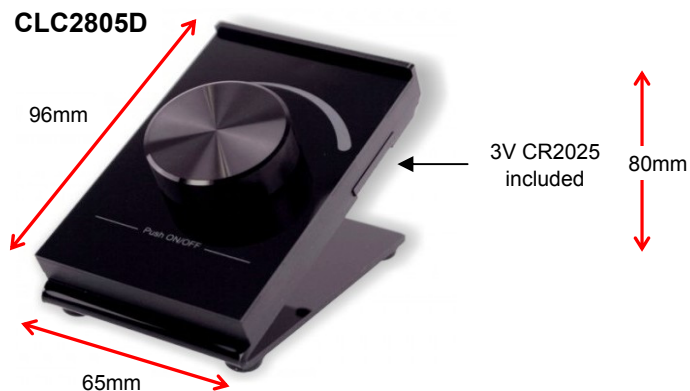
1- Follow illustrated steps to remove the front face plate. Insert the 3V battery included with the controller



Dimensions

L: 2" (51mm)
W: 2" (51mm)
H: 0,75" (19mm)

Because the controller is wireless, it can be installed anywhere on the wall. A hole in the wall slightly greater than 2 "x 2" is required to fit the 2"x 2" protrusion of the controller.



Receiver

- 1- Make sure power to the receiver is disconnected
- 2- Remove the plastic covers to get access to the terminal blocs
- 3- Using a small flathead screwdriver, loosen the desired clamp screws of the terminal blocs
- 4- Insert the wires according to the wiring diagram and tighten clamp screws. Make sure the polarity is correct to prevent damage to the LEDs.
- 5- Turn power on and check if LED light is working. If no illumination, check all connections.