

2805RGB Series: RGB RF LED Controller

2015-04-13

The **2805RGB Series** is a range of RGB / 1 zone / RF PWM LED controller. Stylish and easy to operate, they are designed for constant voltage applications and are fully compatible with iLuXx luminaires equipped with the **Lineo Drive** technology. The system consists of a controller and receiver and both must be paired to allow communication between them.

2805RGB Controllers



CLC2805RGBUS - Wall mount



CLC2805DRGB - Portable, desk



CLR2501RGB - 3 Channels x 5A

Features

- ✓ Full RGB color selection
- ✓ Reliable On/Off with soft transitions
- ✓ Stable dimming from 0,1 to 100% range using PWM technology
- ✓ Wireless controller (battery operated)
- ✓ 1 zone

Note: 1 controller can control any number of receivers and 1 receiver can be controlled by a maximum of 8 controllers

The **2805RGB Series** uses Radio Frequencies (RF) for communication between the controller and receiver. The advantages over Infra Red (IR) devices are the wider range of operation and the fact that the signal can be transmitted through walls, doors and furniture allowing a greater flexibility of installation.

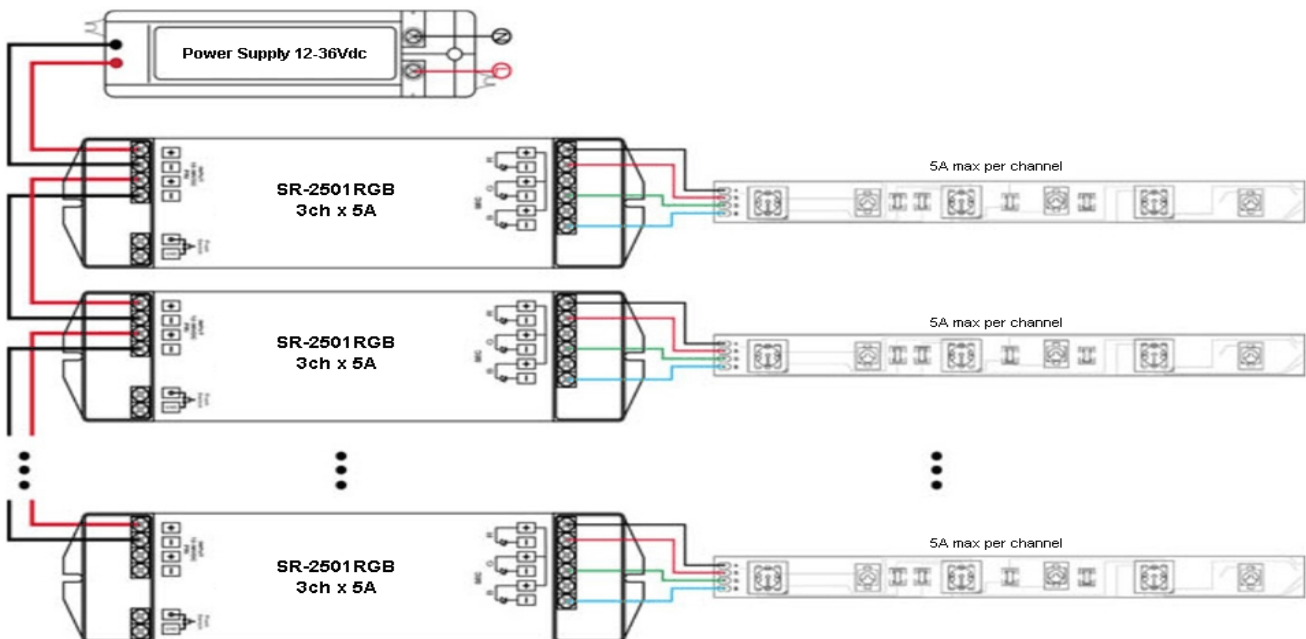


Technical Characteristics

Controllers		CLC2805RGBUS	CLC2805DRGB
Description		RGB - RF - PWM - Wall mount	RGB - RF - PWM - Portable, desk
Input Voltage		3V (CR2032 battery included)	3V (CR2025 battery included)
Signal Range		20m (65ft)	20m (65ft)
Operating Frequency		434MHz / 868MHz	434MHz / 868MHz
Color		White	Black
Operating Temperature		-20°C to 55°C	-20°C to 55°C
Dimensions		L120 x W75 x H41mm	L96 x W65 x H80mm
Warranty		3 years	3 years
Receivers		CLR2501RGB	
Description		3 Channels PWM Receiver	
Input Voltage		12 to 30 Vdc	
Max Load Current		15A (3ch x 5A)	
Max Output Power		180W @ 12V / 360W @ 24V	
Operating Temperature		-20°C to 55°C	
Dimensions		L178 x W46 x H18mm	
Warranty		3 years	

Wiring Diagrams

CLC2501RGB





Pairing of Receiver and Controller

1- Connect the power supply and LED lights to the receiver according to the wiring diagram.

2- Do a short press of the learning key button located on the receiver then quickly push the dial button on the controller. The LED lights connected to the receiver should blink once indicating that the pairing has been successful. (make sure the controller has a battery)

Note: Multiple receivers can be paired to one remote control and vice versa.

To unpair

1- Do a long press of the learning key until you see the LED lights blink twice

Controller Functions

Dial Button Actions:	Single push	Turns light On or Off
	Double push	Alternates between color mode and dimming mode
	Left / Right movement	Color mode: selection of colour Dimming mode: controls the light output level
	Note	Retains the last settings when turned off

Safety

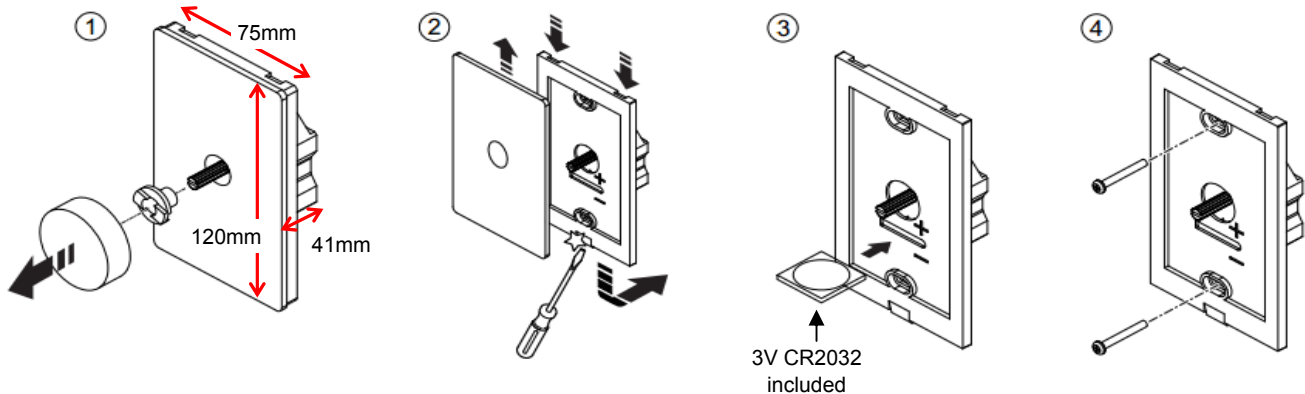
- **DO NOT** install with power applied to the receiver
- **DO NOT** expose the controller and receiver to direct or indirect moisture

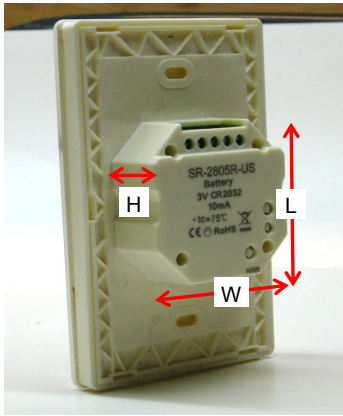
Set-Up Instructions

Controller

CLC2805RGBUS

1- Follow illustrated steps to remove the front face plate. Insert the 3V battery included with the controller



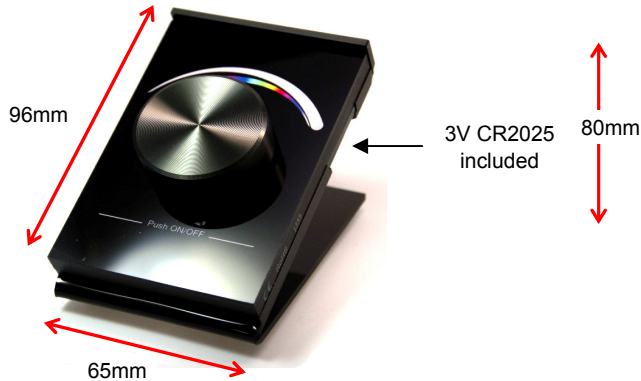


Dimensions

L: 2" (51mm)
W: 2" (51mm)
H: 0,75" (19mm)

Because the controller is wireless, it can be installed anywhere on the wall. A hole in the wall slightly greater than 2 "x 2" is required to fit the 2"x 2" protrusion of the controller.

CLC2805DRGB



Receiver

- 1- Make sure power to the receiver is disconnected
- 2- Remove the plastic covers to get access to the terminal blocs
- 3- Using a small flathead screwdriver, loosen the desired clamp screws of the terminal blocs
- 4- Insert the wires according to the wiring diagram and tighten clamp screws. Make sure the polarity is correct to prevent damage to the LEDs.
- 5- Turn power on and check if LED light is working. If no illumination, check all connections.