

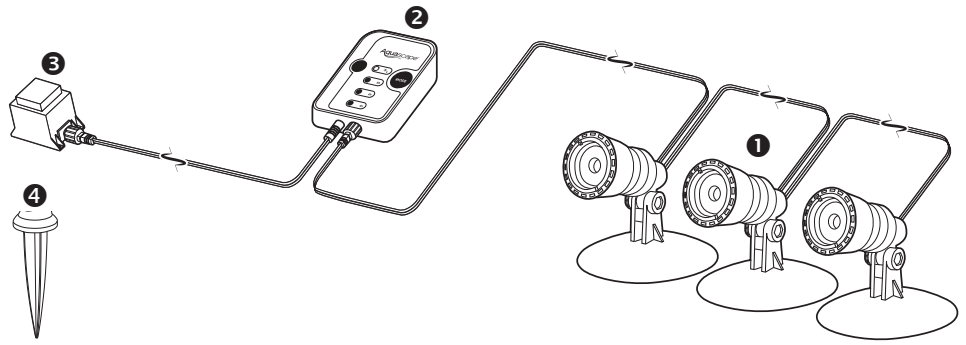


GARDEN AND POND LED SPOTLIGHT KIT

Garden and Pond LED Spotlight Kit
Item #84030



Contents	
No.	Description
1.	3 x Pre-wired 1-Watt LED Spotlights
2.	Garden and Pond Photocell with Digital Timer
3.	Garden and Pond 6-Watt 12V Quick-Connect Transformer
4.	Landscape Mounting Stakes



Instructions

STEP 1

- Place the lights in the desired location (Ex. 1).

STEP 2

- Place the photocell in an un-shaded location and connect the quick-connect fitting to the transformer (Ex. 2).

STEP 3

- Plug the transformer into an outlet that is protected by a ground fault circuit interrupter (GFCI) (Ex. 3).

STEP 4

- Connect the light connection to the photocell, select the desired timer options, and enjoy (Ex. 4).



For more information about our company or products, please visit our website at aquascapeinc.com or call us at US (866) 877-6637 or CAN (866) 766-3426