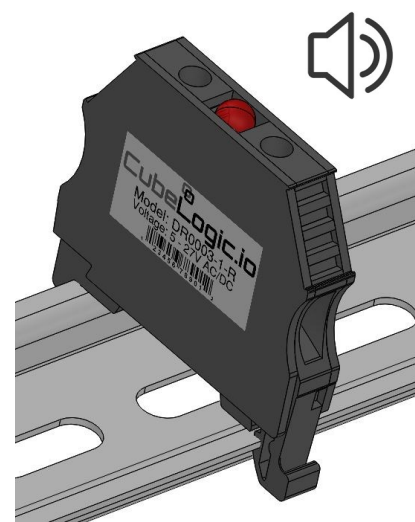


## Features

- Robust modular LED design for extended service life
- Low current demand ~10 mA
- Mounts and locks to a standard 35 mm DIN rail
- 5 - 27 V AC/DC Bi-Polarity Operation (without Horn)
- -40C — +85C Industrial Temperature Range
- 5 LED Color Options
- Audible Horn/Siren Option (12-24 VDC Operation)
- Manufactured and sold in the USA



## Ordering Information

### Part Numbering

DR0003 - 1 - X - [L] - [HRN] (i.e. DR0003-1-R or DR0003-1-R-L-HRN)

1 = Number of LED Channels

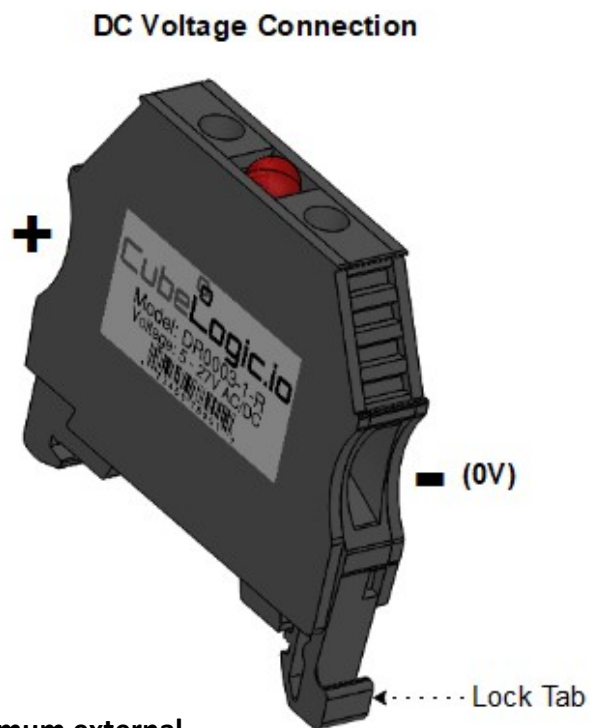
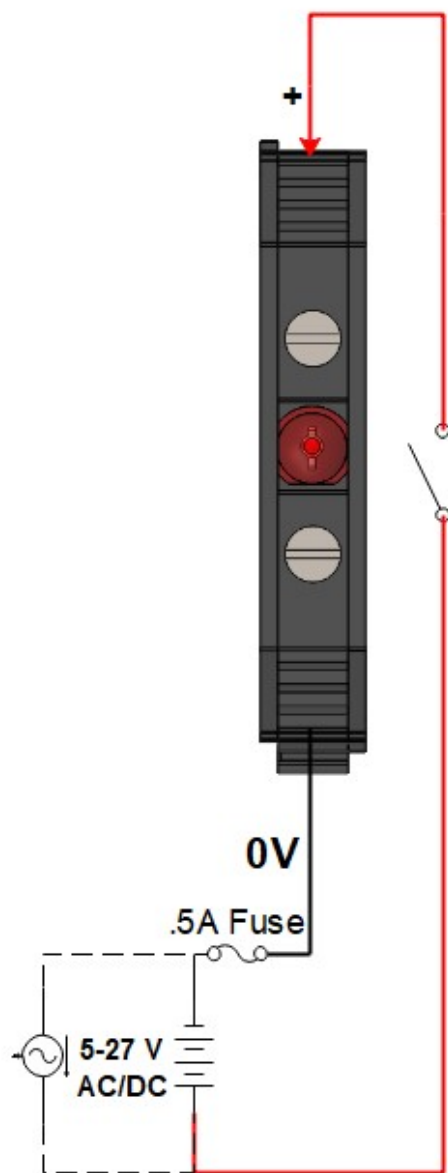
X = LED color: Red (R), Green (G), Blue (B), Amber (A), White (W)

L = Low Intensity—Max Voltage 29.9 V AC/DC

HRN = Audible Horn/Buzzer Option (12-24 VDC Operation Only)

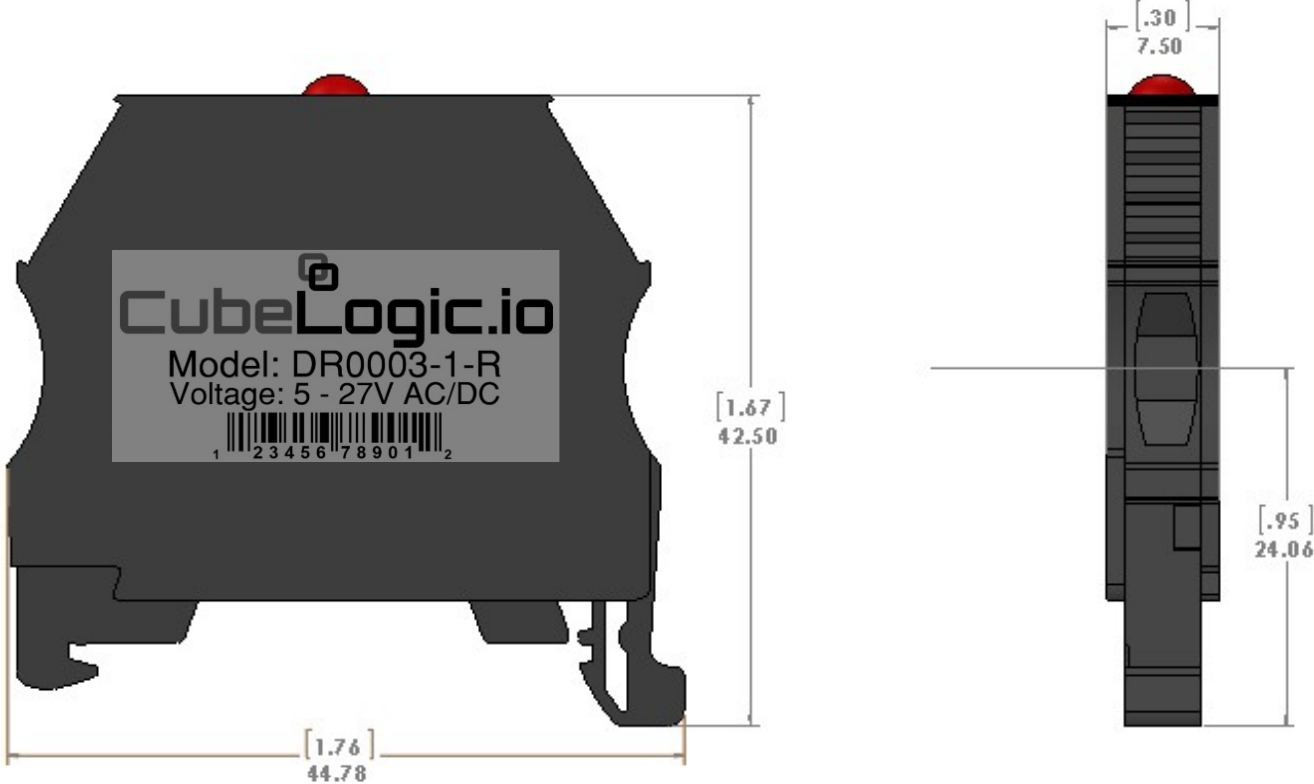
DR0003 35mm DIN Rail Light / Horn Indicator Selector						
Part Number	#Channels	Led Color	LED Intensity	LED Pattern	Horn/Siren	Voltage Range
DR0003-1-R	1	Red	High	•	-	5-27 V AC/DC
DR0003-1-R-L	1	Red	Low	•	-	5-27 V AC/DC
DR0003-1-R-HRN	1	Red	High	•	Yes	12-24 VDC
DR0003-1-R-L-HRN	1	Red	Low	•	Yes	12-24 VDC
DR0003-1-G	1	Green	High	•	-	5-27 V AC/DC
DR0003-1-G-L	1	Green	Low	•	-	5-29 V AC/DC
DR0003-1-G-HRN	1	Green	High	•	Yes	12-24 VDC
DR0003-1-G-L-HRN	1	Green	Low	•	Yes	12-24 VDC
DR0003-1-B	1	Blue	High	•	-	5-27 V AC/DC
DR0003-1-B-L	1	Blue	Low	•	-	5-29 V AC/DC
DR0003-1-B-HRN	1	Blue	High	•	Yes	12-24 VDC
DR0003-1-B-L-HRN	1	Blue	Low	•	Yes	12-24 VDC
DR0003-1-A	1	Amber (Yellow)	High	•	-	5-27 V AC/DC
DR0003-1-A-L	1	Amber (Yellow)	Low	•	-	5-29 V AC/DC
DR0003-1-A-HRN	1	Amber (Yellow)	High	•	Yes	12-24 VDC
DR0003-1-A-L-HRN	1	Amber (Yellow)	Low	•	Yes	12-24 VDC
DR0003-1-W	1	White	High	O	-	5-27 V AC/DC
DR0003-1-W-L	1	White	Low	O	-	5-29 V AC/DC
DR0003-1-W-HRN	1	White	High	O	Yes	12-24 VDC
DR0003-1-W-L-HRN	1	White	Low	O	Yes	12-24 VDC

### Wiring / Connections



**Note:** A 0.5A maximum external overcurrent protection device is required in all installations.

### Mechanical/Dimensions



## Warranty / Legal Information

Cube logic Controls, LLC

These terms for product warranty governs Cube Logic Controls, LLC product series ("Products")

ordered by customers ("Customer")

from Cube Logic Controls, LLC ("Manufacturer")

### Article 1 WARRANTIES AND DISCLAIMER

Manufacturer warrants that under normal use, the Products shall conform substantially to the Specifications for a period of six (6) months from the date of delivery from Manufacturer to Customer (the Warranty Period). Manufacturer shall have no obligations for breach of warranty if the alleged defect is found to have occurred as a result of a misuse (including static discharge, improper installation, improper repair, accident, or use not in accordance with instructions provided by Manufacturer), neglected, improper transportation, improper storage, improper handling or has been modified, after the risk of loss in the Products has passed to Customer, or which Manufacturer is not capable of testing under normal test conditions. Manufacturer's sole obligation towards Customer for a Product failing to meet this warranty is, at Manufacturer's option, to replace or repair the Product or to issue Customer a credit for the purchase price of the Product, but only if (i) Manufacturer has received written notice of the warranty claim within the Warranty Period, (ii) Customer has returned the Product to Manufacturer as approved by the Manufacturer in a return material authorization form, and (iii) Manufacturer has verified that the Product is defective. Manufacturer warrants a replacement or repaired Product only for the unexpired term of the warranty for the defective Product. Notwithstanding this Article 1, Manufacturer provides all prototypes, reference designs and software "as-is" without warranty of any kind. The express warranty granted above shall extend directly to Customer and not Customer's customers, agents or representatives. Manufacturer disclaims all other warranties, whether express or implied, including without limitation the implied warranties of merchantability, fitness for a particular purpose, non-infringement of intellectual property rights and Customer's use of the Product or use of any application or circuits described in the Specifications. Neither Customer nor any other person or business organization is authorized to give any warranty or assume any obligation or liability on Manufacturer's behalf, including any of Manufacturer's Manufacturers, in connection with the sale, installation and/or use of the Products. An Epidemic Failure shall be deemed to have occurred in Manufacturer's reasonable opinion, if: (i) more than 5 % of the aggregate of any Products delivered to Customer during the last 3 months fails to meet any of the Product' warranties given in Article 1 due to a single cause (i.e. defects due to a similar or substantially similar cause, as measured in accordance with Manufacturer's testing and evaluation processes); and/or (ii) overall monthly return rate exceeds 10 % for any consecutive 6 months due to multiple causes, which includes all reported defects of Products. In the event of an Epidemic Failure, Manufacturer and Customer shall as soon as possible cooperate to find root cause and appropriate countermeasures, and Manufacturer may (i) cancel, reschedule, modify or suspend any outstanding Purchase Order(s) to Manufacturer for the affected Products without any penalty; and (ii) Customer may return all affected Products, and to the extent that Customer has paid the Manufacturer for the returned Products, the Manufacturer shall refund the price paid within thirty (30) days after the receipt of the returned Products. This Product Warranty is intended to benefit only Customer; no third-party beneficiaries are intended or created unless specifically agreed otherwise in writing.

### Article 2 LIMITATION OF LIABILITY

Manufacturer is not liable to Customer for any indirect, incidental, consequential or punitive damages, for property damage, equipment re-work, equipment damage, downtime cost, or claims from Customer's customers such as but not limited to roaming and/or network charges, loss of profits, revenue or data, whether in an action in contract, tort, strict liability, or otherwise, even if advised of the possibility of those damages. In no event shall Manufacturer be liable for any damage, costs or expenses associated with warranty or intellectual property infringement claims, whether for the replacement or repair of products, including labor, installation or other costs incurred by Customer related to the removal or replacement of any products, excess procurement costs, or rework charges. Manufacturer shall not be liable for any third party's claims to Customer, even if connected with Products delivered subject to this Product Warranty. Customer's remedies as specifically set forth in these terms constitute Customer's exclusive remedies for any breaches by Manufacturer to which they relate.

### Article 3 RESTRICTED USE

Manufacturer's Products are not certified by the Food and Drug Association (FDA), hence shall not be used in the essential part of life critical or life support appliances.

Manufacturer's Products are not certified for use in essential, critical performance parts for the automotive industry, hence shall not be used for such purpose.

Manufacturer's Products shall not be used in devices that may be used by any person with intent to create a risk of loss of human life or considerable harm to body, property or the environment unlawfully, in violation with any local or national codes and other applicable law. Manufacturer reserves the right to stop Manufacturer from selling to any Customers who use Products in violation of the restricted use as described above. This Product Warranty applies to all Products bought by Customer from Manufacturer, whether the Sale of Goods Contract is effective or not.